

VALRIYA

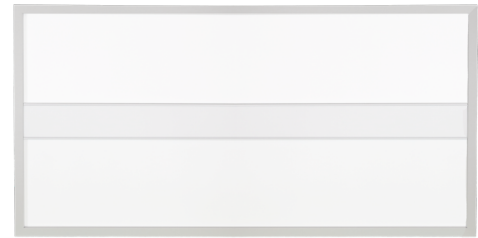
SPEC GRADE COMMERCIAL LED LIGHTING

BTR SERIES ARCHITECTURAL BACKLIT TROFFER

The BTR Series is designed with a compact form factor for shallow plenum space applications. Featuring a back-lit technology for light uniformity and low glare.

- Adjustable color temperature and power output
- 3 different CCT and wattage options
- Optional factory EM driver install available
- Available in 1'x4', 2'x2', and 2'x4' sizing
- UL, NOM, IC Rated

CLIENT
PROJECT
NOTES



TECHNICAL DETAILS

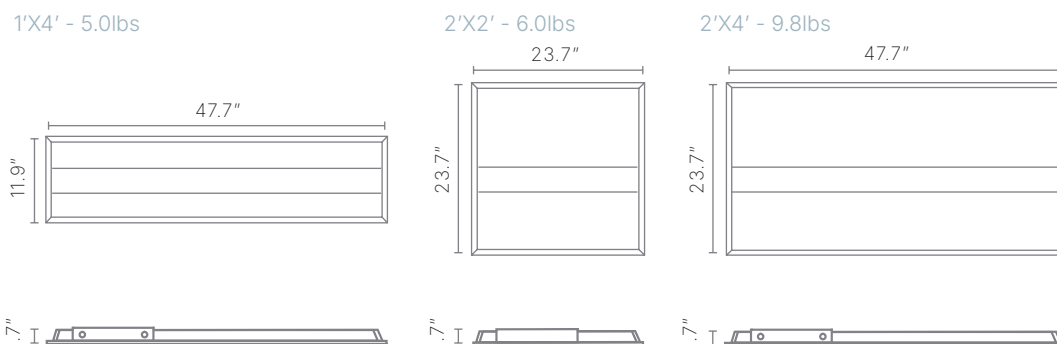
POWER 1'X4'	25W / 30W / 35W
POWER 2'X2'	25W / 30W / 35W
POWER 2'X4'	30W / 40W / 50W
COLOR TEMPERATURE	3000K / 3500K / 4000K
CRI	80+ CRI
VOLTAGE	120-277VAC
EFFICIENCY	Up to 110lm/w
DIMMING	0-10V
HOUSING	Aluminum
MOUNTING	Recessed, Hanging, Surface
OPERATING TEMPERATURE	14°F to 104°F
WARRANTY	5 Years
FINISH	White
LOCATION	Damp
CERTIFICATIONS	UL, NOM, IC Rated

LUMENS 4000K

1X4	25W	30W	35W
	2,750lm	3,300lm	3,580lm
2X2	25W	30W	35W
	2,750lm	3,300lm	3,580lm
2X4	30W	40W	50W
	3,300lm	4,400lm	5,500lm

L70: 50,000+ HOURS

DIMENSIONS





BTR SERIES

ARCHITECTURAL BACKLIT TROFFER

ORDERING GUIDE

Example: VA-BTR-24-35A

VA-BTR		35A	
	SIZE / POWER	CCT	OPTIONS
	[14] 1'x4' 25W / 30W / 35W	[35A] 30K / 35K / 40K	[E] 15W EM Driver, CEC Listed ¹
	[22] 2'x2' 25W / 30W / 35W		
	[24] 2'x4' 30W / 40W / 50W		


¹ Consult factory for other EM options

ACCESSORIES*

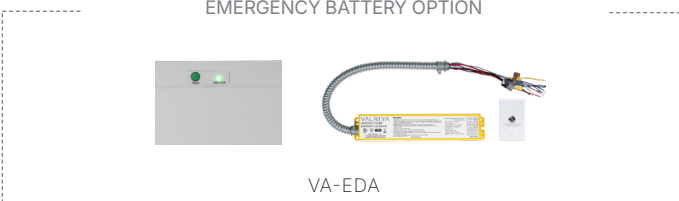
SKU	DESCRIPTION
VA-SMK-14	1'x4' Surface Mount Kit
VA-SMK-22	2'x2' Surface Mount Kit
VA-SMK-24	2'x4' Surface Mount Kit
VA-DWK-14	1'x4' Drywall Flange Kit
VA-DWK-22	2'x2' Drywall Flange Kit
VA-DWK-24	2'x4' Drywall Flange Kit
VA-PSK-2	2'x2' Suspension Kit (4ft length)
VA-PSK-4	1'x4' or 2'x4' Suspension Kit (4ft length)

*Items must be ordered separately

ACCESSORIES



EMERGENCY BATTERY OPTION



PHOTOMETRICS 50W / 3500K

