

TOOY

price list USA 2024

Distributed exclusively by:

AUTHENTIC DESIGN COLLECTION

681 Lawlins RD, Unit 50

Suite 106 Box 1B

Wyckoff, NJ 07481

Tel: 551-400-0024

tooy@authenticdesigncollection.com



About

A light to give warmth, a light to give attention, a light to get lost in one's thoughts. Each reflection, a state of mind.

Fascinated by the infinite facets of light, the TOOY brand offers lighting that gives value to the experience of living in spaces through a wide and versatile range of products capable of telling a story.

Simple and extremely sophisticated at the same time, TOOY accessories go beyond the boundaries of décor with a strong and distinctive identity that is expressed with eloquence in domestic and contract contexts.

Chaired by Valeria Giacomozzi and Valerio Tildei, the TOOY brand pursues the perfect balance between aesthetic value and functionality. And it does so in a unique way, with a fresh look, identifying the most interesting global trends to translate them into the famous "know-how" that made "Made in Italy" great in the world.



Alphabetical Index

EXCALIBUR

code: 559 | p. 10

FILIPA

code: 555 | p. 18

GORDON

code: 561 | p. 22

LEGIER

code: 557 | p. 38

LILLY

code: 558 | p. 60

LINFA

code: 565 | p. 68

MACAO

code: 551 | p. 86

MOLLY

code: 556 | p. 90

MUSE

code: 554 | p. 104

NABILA

code: 552 | p. 114

NASTRO

code: 563 | p. 132

OSMAN

code: 560 | p. 158

QUADRANTE

code: 505 | p. 172

THULA

code: 562 | p. 178

EXCALIBUR

559.12 Chandelier

Design: Corrado Dotti

Description: A slightly Deco inspired lamp. The main body is in black coating and the light is spread through two plexiglass prisms and it's wrapped into three rectangular brushed brass foils. It is available in different compositions: single or bunch suspension, chandeliers in two different dimension, single or double wall lamp.

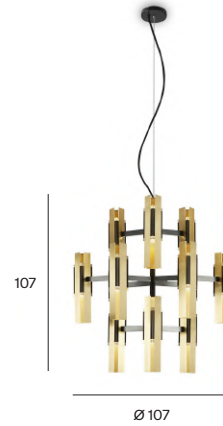
Materials: metal, brass, PMMA

Mounting: Pendant: 125 cm steel cable, electric cable length 150 cm. Canopy: Ø 13 cm included with bracket. Light source: E26 bulb.

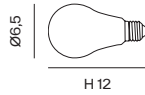
Nt. Wt.: 35 kg / 77,2 lb

Class: Degree of protection IP40, insulation class 1.

Note: Canopy for Junction Box included.
 Custom canopy on request.
 Sloped ceiling canopy on request.
 220/240V version available on request.
 Max dimensions bulb (excluded):



UL CE IP40

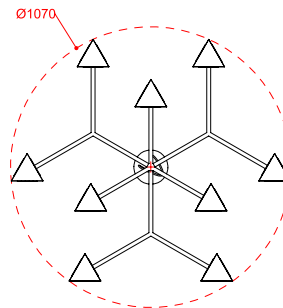
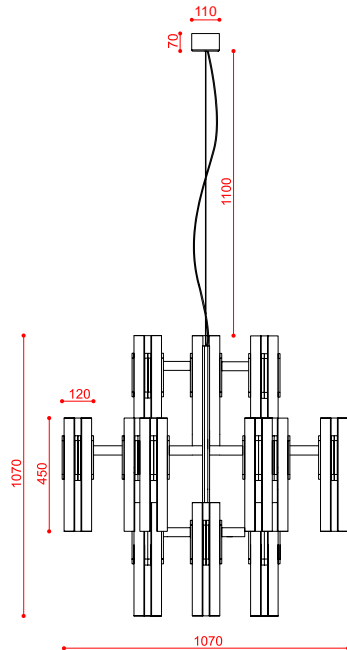


code	voltage	nominal flux	dimmiability	finishes	cable (cm)	dimensions (cm)	recommended LED bulb	USD
559.12	110/120V	/	according to bulb	C74 + C41	125	H 107 x Ø 107	12 x E26 max 15W	\$18,999.00

Hardware Details



C74 Sand black + C41 Brushed brass



measurements in mm

EXCALIBUR

559.13 Chandelier

Picture on page 51 of the catalogue

Design: Corrado Dotti

Description: A slightly Deco inspired lamp. The main body is in black coating and the light is spread through two plexiglass prisms and it's wrapped into three rectangular brushed brass foils. It is available in different compositions: single or bunch suspension, chandeliers in two different dimension, single or double wall lamp.

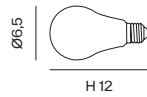
Materials: metal, brass, PMMA

Mounting: Pendant: cable length 150 cm. Canopy: Ø 50 cm included with bracket. Light source: E26 bulb.

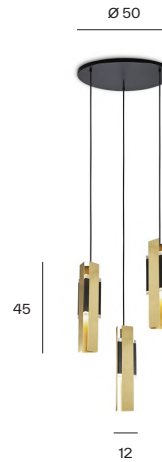
Nt. Wt.: 8 kg / 17,7 lb

Class: Degree of protection IP40, insulation class 1.

Note: Custom canopy on request.
Additional suspensions available on request.
220/240V version available on request.
Max dimensions bulb (excluded):



UL CE IP40

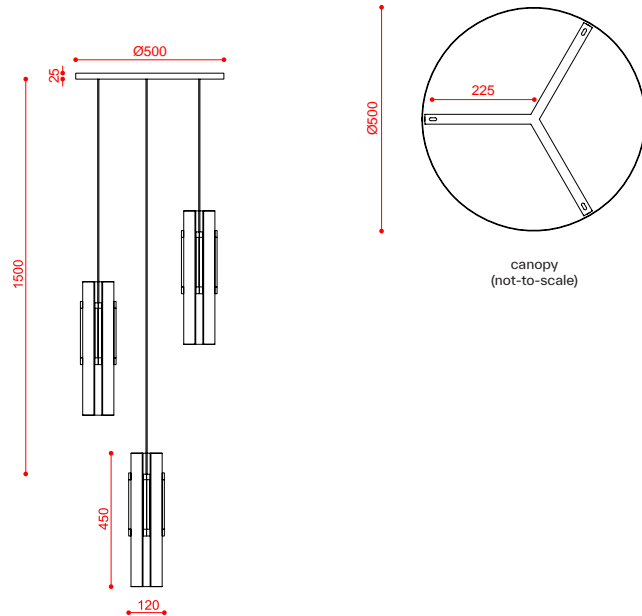


code	voltage	nominal flux	dimmiability	finishes	cable (cm)	dimensions (cm)	recommended LED bulb	USD
559.13	110/120V	/	according to bulb	C74 + C41	150	H 45 x Ø 50	3 x E26 max 15W	\$3,899.00

Hardware Details



C74 Sand black + C41 Brushed brass



canopy (not-to-scale)

measurements in mm

EXCALIBUR

559.21 Pendant

Picture on page 24/54 of the catalogue

Design: Corrado Dotti

Description: A slightly Deco inspired lamp. The main body is in black coating and the light is spread through two plexiglass prisms and it's wrapped into three rectangular brushed brass foils. It is available in different compositions: single or bunch suspension, chandeliers in two different dimension, single or double wall lamp.

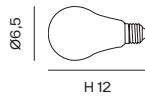
Materials: metal, brass, PMMA

Mounting: Pendant: cable length 150 cm. Canopy: Ø 13 cm included with bracket. Light source: E26 bulb.

Nt. Wt.: 1,9 kg / 4,2 lb

Class: Degree of protection IP40, insulation class 1.

Note: Custom canopy on request.
220/240V version available on request.
Max dimensions bulb (excluded):



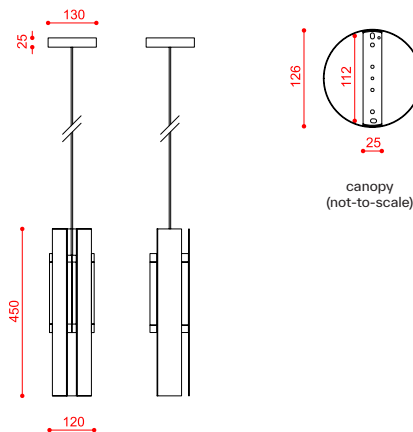
UL CE IP40

code	voltage	nominal flux	dimmiability	finishes	cable (cm)	dimensions (cm)	recommended LED bulb	USD
559.21	110/120V	/	according to bulb	C74 + C41	150	H 45 x L 12	1 x E26 max 15W	\$1,259.00

Hardware Details



C74 Sand black + C41 Brushed brass



measurements in mm

EXCALIBUR

559.23 Chandelier

Design: Corrado Dotti

Description: A slightly Deco inspired lamp. The main body is in black coating and the light is spread through two plexiglass prisms and it's wrapped into three rectangular brushed brass foils. It is available in different compositions: single or bunch suspension, chandeliers in two different dimension, single or double wall lamp.

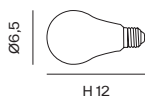
Materials: metal, brass, PMMA

Mounting: Pendant: 125 cm steel cable, electric cable length 150 cm. Canopy: Ø 13 cm included with bracket. Light source: E26 bulb.

Nt. Wt.: 8 kg / 17,7 lb

Class: Degree of protection IP40, insulation class 1.

Note: Custom canopy on request.
220/240V version available on request.
Max dimensions bulb (excluded):



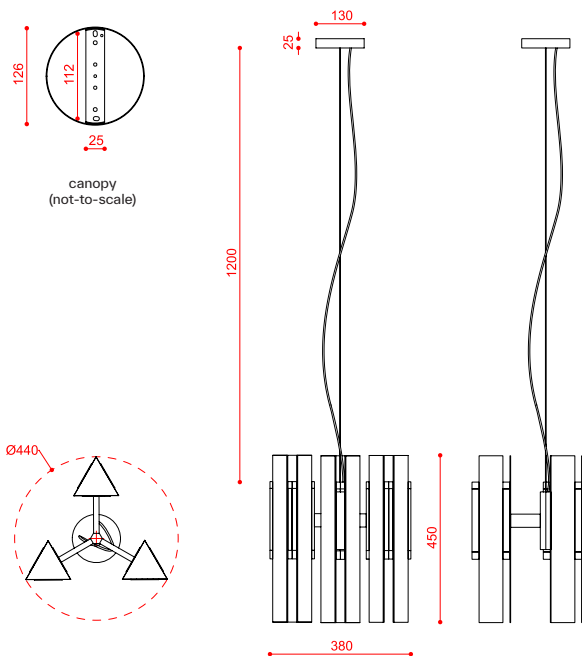
UL CE IP40

code	voltage	nominal flux	dimmability	finishes	cable (cm)	dimensions (cm)	recommended LED bulb	USD
559.23	110/120V	/	according to bulb	C74 + C41	125	H 45 x L 38	3 x E26 max 15W	\$4,499.00

Hardware Details



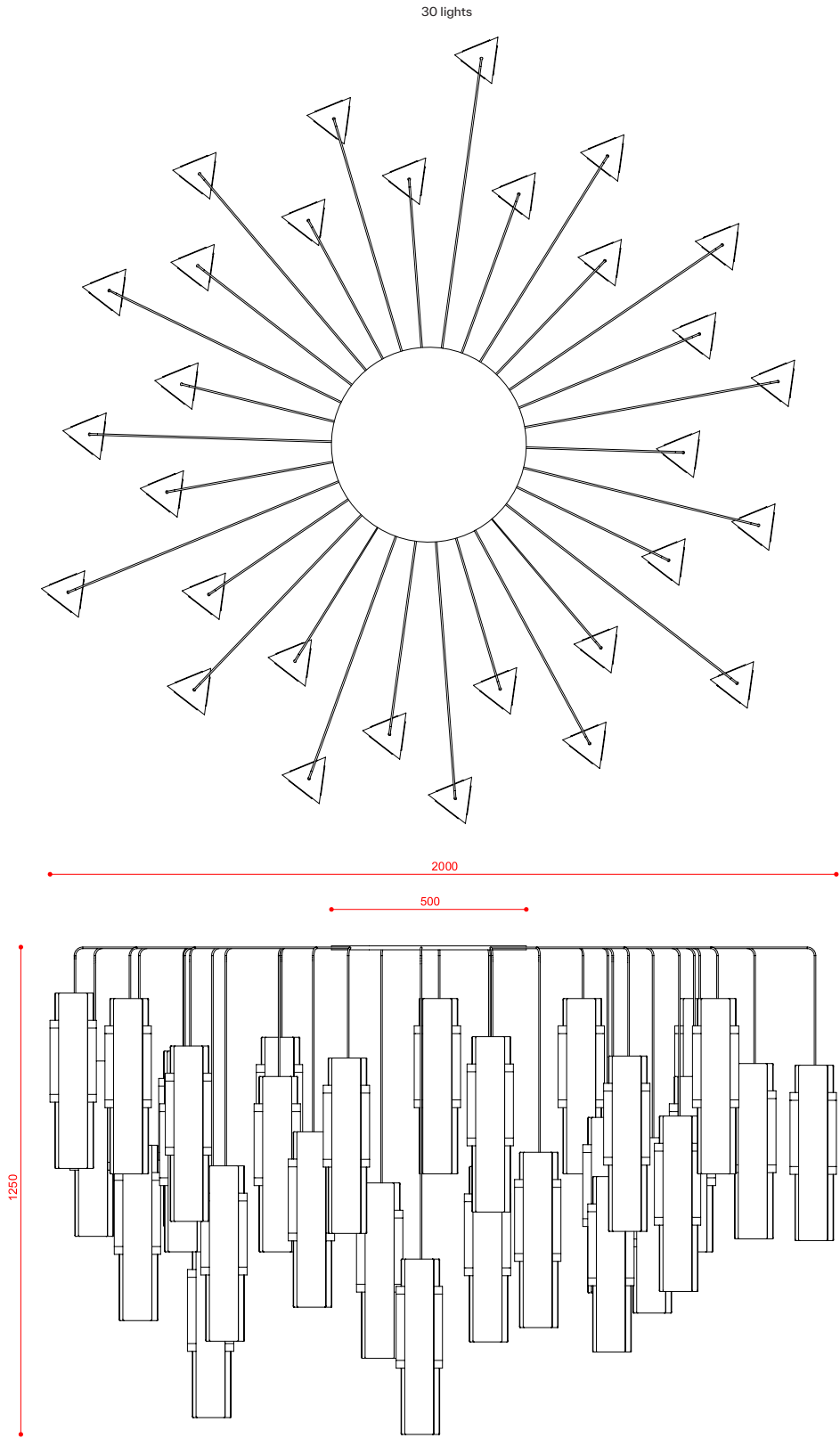
C74 Sand black + C41 Brushed brass



measurements in mm

Suggested application

EXCALIBUR Chandelier



EXCALIBUR

559.26 Chandelier

Picture on page 54 of the catalogue

Design: Corrado Dotti

Description: A slightly Deco inspired lamp. The main body is in black coating and the light is spread through 2 plexiglass prisms and it's wrapped into 3 rectangular brushed brass foils. It is available in different compositions: single or bunch suspension, chandeliers in two different dimension, single or double wall lamp.

Materials: metal, brass, PMMA

Mounting: Pendant: cable length 150 cm. Canopy: \varnothing 23 cm included with bracket. Ceiling attachment: 6 included. Light source: E26 bulb.

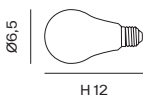
Nt. Wt.: 11,4 kg / 25,2 lb

Class: Degree of protection IP40, insulation class 1.

Note: Additional suspensions available on request.
Additional ceiling attachment available.
220/240V version available on request.
Custom canopy on request.
Max dimensions bulb (excluded):



UL CE IP40

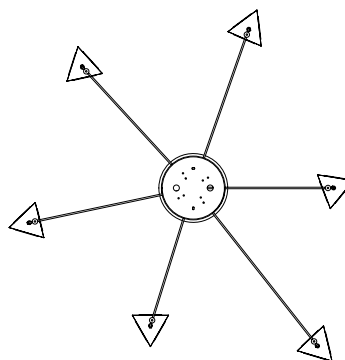
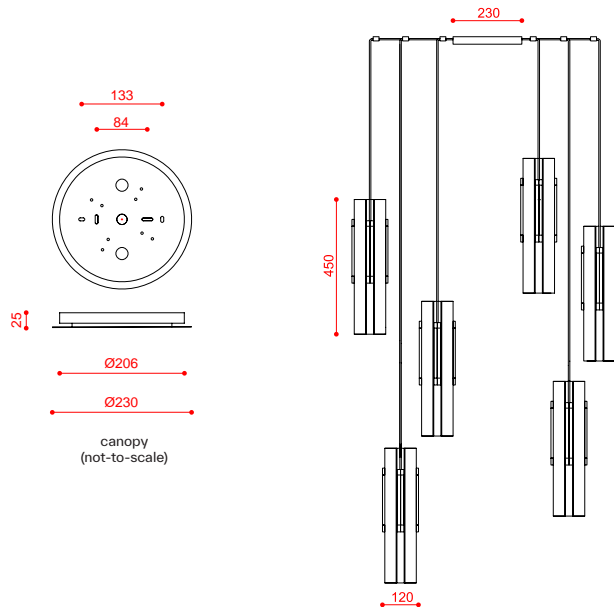


code	voltage	nominal flux	dimmiability	finishes	cable (cm)	dimensions (cm)	recommended bulb	USD
559.26	110/120V	/	according to bulb	C74 + C41	150	\varnothing 100/200 H. 50/100	6 x E26 max 15W	\$7,459.00

Hardware Details



C74 Sand black + C41 Brushed brass



measurements in mm

EXCALIBUR

559.41 Wall

Picture on page 53 of the catalogue

Design: Corrado Dotti

Description: A slightly Deco inspired lamp. The main body is in black coating and the light is spread through two plexiglass prisms and it's wrapped into three rectangular brushed brass foils. It is available in different compositions: single or bunch suspension, chandeliers in two different dimension, single or double wall lamp.

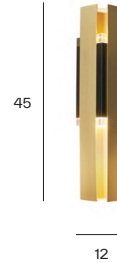
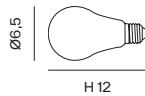
Materials: metal, brass, PMMA

Mounting: Base: 7 x 7 cm included with bracket. Light source: E26 bulb.

Nt. Wt.: 2,5 kg / 5,6 lb

Class: Degree of protection IP40, insulation class 1.

Note: Base for Junction Box included.
220/240V version available on request.
Max dimensions bulb (excluded):



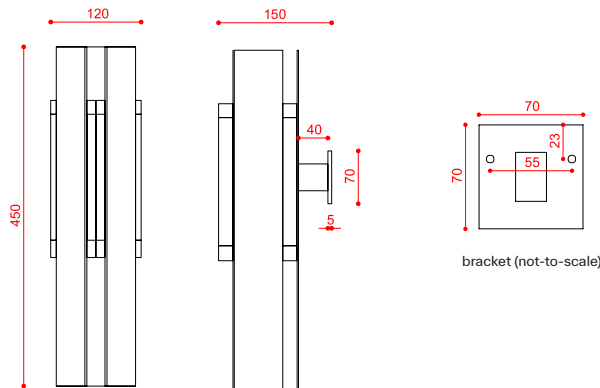
UL CE IP40

code	voltage	nominal flux	dimmability	finishes	cable (cm)	dimensions (cm)	recommended LED bulb	USD
559.41	110/120V	/	according to bulb	C74 + C41	/	H 45 x L 12	1 x E26 max 15W	\$1,199.00

Hardware Details



C74 Sand black + C41 Brushed brass



bracket (not-to-scale)

measurements in mm

EXCALIBUR

559.42 Wall

Design: Corrado Dotti

Description: A slightly Deco inspired lamp. The main body is in black coating and the light is spread through two plexiglass prisms and it's wrapped into three rectangular brushed brass foils. It is available in different compositions: single or bunch suspension, chandeliers in two different dimension, single or double wall lamp.

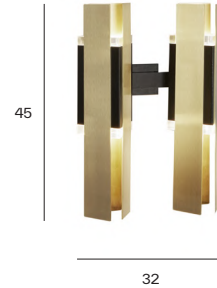
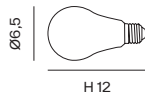
Materials: metal, brass, PMMA

Mounting: Base: 7 x 7 cm included with bracket. Light source: E26 bulb.

Nt. Wt.: 5 kg / 11,1 lb

Class: Degree of protection IP40, insulation class 1.

Note: Base for Junction Box included.
220/240V version available on request.
Max dimensions bulb (excluded):



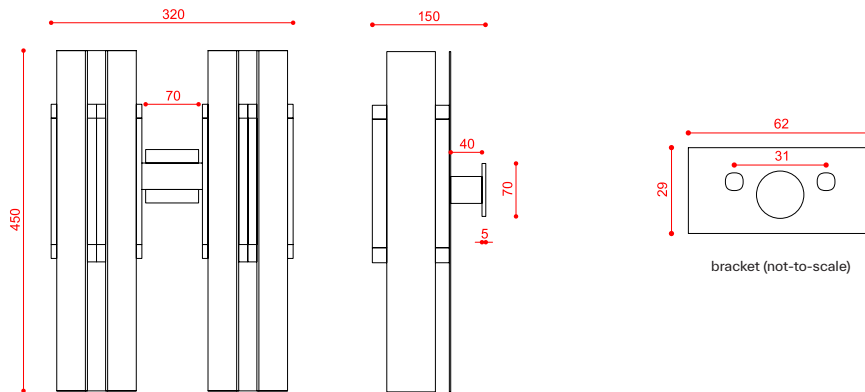
UL CE IP40

code	voltage	nominal flux	dimmability	finishes	cable (cm)	dimensions (cm)	recommended LED bulb	USD
559.42	110/120V	/	according to bulb	C74 + C41	/	H 45 x L 32	2 x E26 max 15W	\$2,439.00

Hardware Details



C74 Sand black + C41 Brushed brass



measurements in mm

FILIPA

555.13 Chandelier

Design: Corrado Dotti

Description: Collection of lamps inspired by the classic Chinese lanterns. The particular bi-dimensional structure is made by powder coated painted metal on the outside, while the inside color is sand gray. A new version in a twocoloured leather has enriched the collection. The light source is located inside a doubleside borosilicate glass diffuser, while the suspensions have an additional integrated LED light source in order to create a direct illumination downwards.

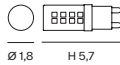
Materials: metal, leather, glass

Mounting: Pendant: cable length 150 cm. Canopy: Ø 50 cm included with bracket. Light source: G9 bulb + integrated LED.

Nt. Wt.: 7 kg / 15,5 lb

Class: Degree of protection IP40, insulation class 1.

Note: Additional suspensions available on request.
220/240V version available on request.
Custom canopy on request.
Max dimensions G9 bulb (excluded):



CE IP40



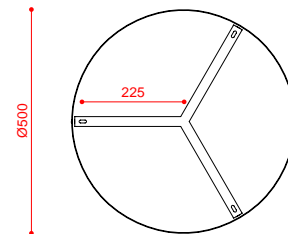
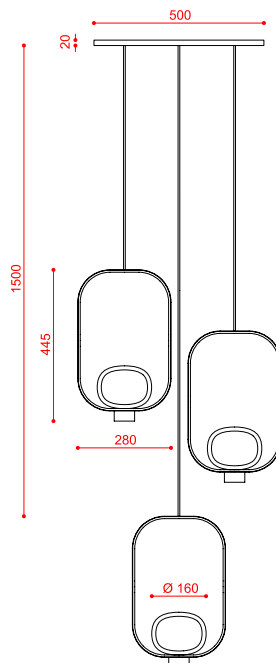
code	voltage	nominal flux	dimmiability	finishes	cable (cm)	dimensions (cm)	recommended LED bulb + LED	USD
555.13	110/120V	/ 1500 lm	according to bulb + phase cut	C74 + C46	150	Ø 72	G9 3×5W max + LED 3×4W	\$6,299.00
555.13	110/120V	/ 1500 lm	according to bulb + phase cut	C74 + L01	150	Ø 72	G9 3×5W max + LED 3×4W	\$8,199.00

Hardware Details



C74 Sand black + C46 Sand grey + Clear glass

C74 Sand black + L01 Two-tone leather + Clear glass



canopy (not-to-scale)

measurements in mm

FILIPA

555.22 Pendant

Picture on page 59/60 of the catalogue

Design: Corrado Dotti

Description: Collection of lamps inspired by the classic Chinese lanterns. The particular bi-dimensional structure is made by powder coated painted metal on the outside, while the inside color is sand gray. A new version in a twocoloured leather has enriched the collection. The light source is located inside a doubleside borosilicate glass diffuser, while the suspensions have an additional integrated LED light source in order to create a direct illumination downwards.

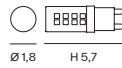
Materials: metal, leather, glass

Mounting: Pendant: cable length 150 cm. Canopy: Ø 13 cm included with bracket. Light source: G9 bulb + integrated LED.

Nt. Wt.: 2,3 kg / 5,1 lb

Class: Degree of protection IP40, insulation class 1.

Note: Custom canopy on request.
220/240V version available on request.
Max dimensions G9 bulb (excluded):



CE IP40



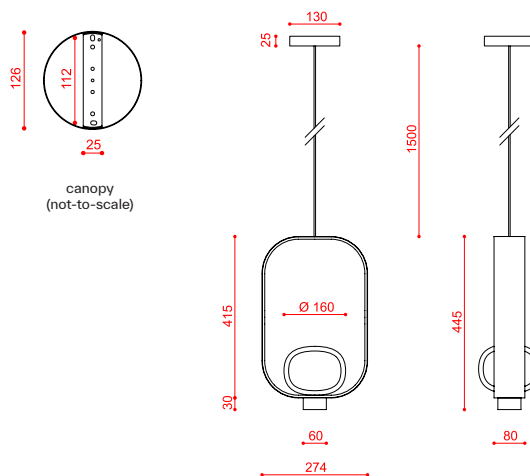
code	voltage	nominal flux	dimmability	finishes	cable (cm)	dimensions (cm)	recommended LED bulb + LED	USD
555.22	110/120V	/ 500 lm	according to bulb + phase cut	C74 + C46	150	H 45 x L 28	G9 5W max + LED 4W, 2700K	\$2,149.00
555.22	110/120V	/ 500 lm	according to bulb + phase cut	C74 + L01	150	H 45 x L 28	G9 5W max + LED 4W, 2700K	\$2,149.00

Hardware Details



C74 Sand black + C46 Sand grey + Clear glass

C74 Sand black + L01 Two-tone leather + Clear glass



measurements in mm

FILIPA

555.31 Table

Picture on page 57/58 of the catalogue

Design: Corrado Dotti

Description: Collection of lamps inspired by the classic Chinese lanterns. The particular bi-dimensional structure is made by powder coated painted metal on the outside, while the inside color is sand gray. A new version in a twocoloured leather has enriched the collection. The light source is located inside a doubleside borosilicate glass diffuser.

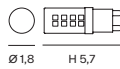
Materials: metal, leather, glass

Mounting: Table: cable length 150 cm. Plug: type A. On/off switch: 50 cm from the base on black fabric cable. Light source: G9 bulb.

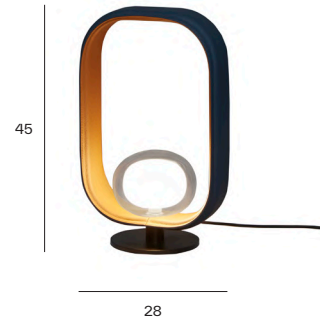
Nt. Wt.: 3,5 kg / 7,8 lb

Class: Degree of protection IP40, insulation class 2.

Note: 220/240V version available on request.
Dimmer version available on request.
Max dimensions bulb (excluded):



CE IP40



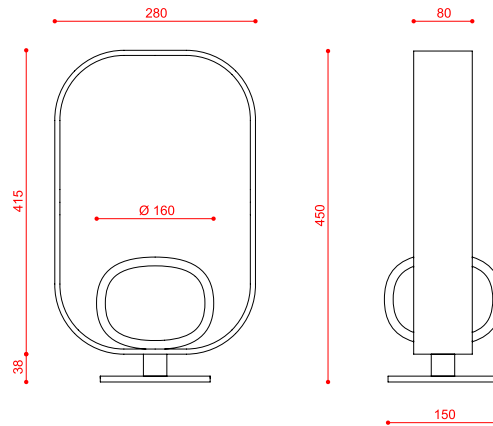
code	voltage	nominal flux	dimmability	finishes	cable (cm)	dimensions (cm)	recommended LED bulb	USD
555.31	110/120V	/	/	C74 + C46	150	H 45 x L 28	1 x G9 max 5W	\$1,979.00
555.31	110/120V	/	/	C74 + L01	/	H 49 x L 28	1 x G9 max 5W	\$2,399.00

Hardware Details



C74 Sand black + C46 Sand grey + Clear glass

C74 Sand black + L01 Two-tone leather + Clear glass



measurements in mm

FILIPA

555.41 Wall

Design: Corrado Dotti

Description: Collection of lamps inspired by the classic Chinese lanterns. The particular bi-dimensional structure is made by powder coated painted metal on the outside, while the inside color is sand gray. A new version in a twocoloured leather has enriched the collection. The light source is located inside a doubleside borosilicate glass diffuser.

Materials: metal, leather, glass

Mounting: Base: Ø 11,5 cm included with bracket. Light source: G9 bulb.

Nt. Wt.: 2,4 kg / 5,3 lb

Class: Degree of protection IP40, insulation class 1.

Note: Base for Junction Box included.
220/240V version available on request.
Max dimensions bulb (excluded):



CE IP40



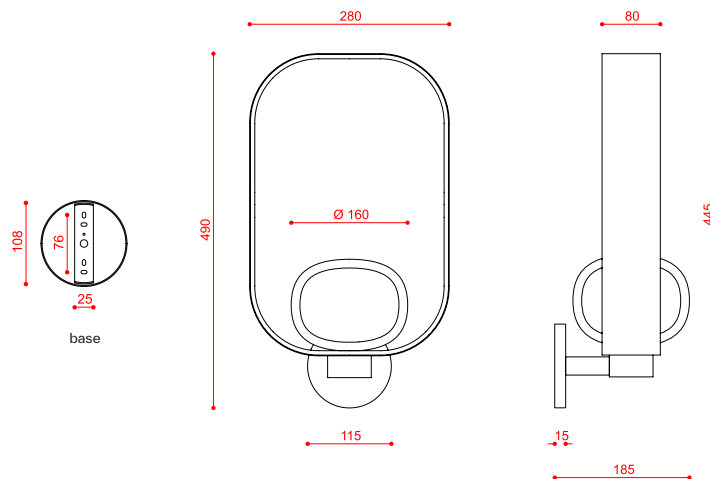
code	voltage	nominal flux	dimmiability	finishes	cable (cm)	dimensions (cm)	recommended LED bulb	USD
555.41	110/120V	/	according to bulb	C74 + C46	/	H 49 x L 28	1 x G9 max 5W	\$2,049.00
555.41	110/120V	/	according to bulb	C74 + L01	/	H 49 x L 28	1 x G9 max 5W	\$2,469.00

Hardware Details



C74 Sand black + C46 Sand grey + Clear glass

C74 Sand black + L01 Two-tone leather + Clear glass



measurements in mm

GORDON

561.11a Ceiling

Design: Corrado Dotti

Description: A new formal and material interpretation of the conical diffuser is the main feature of GORDON lamps. The essential and refined aspect with a strong character that is conferred by the shape of the brass casting; these practical and versatile lamps are suitable to be used in different environments, from the domestic to the working one as in the commercial spaces and 'hospitality'.

Materials: metal, aluminum, PMMA

Mounting: Canopy: Ø 13 cm included with bracket. Adjustable height: from 70 to 90 cm. Adjustable direct light: 270°. Light source: E26 bulb.

Nt. Wt.: 1,5 kg / 3,3 lb

Class: Degree of protection IP40, insulation class 1.

Note: Recessed canopy available (561.15a). 220/240V version available on request. Max dimensions bulb (excluded):

UL CE IP40

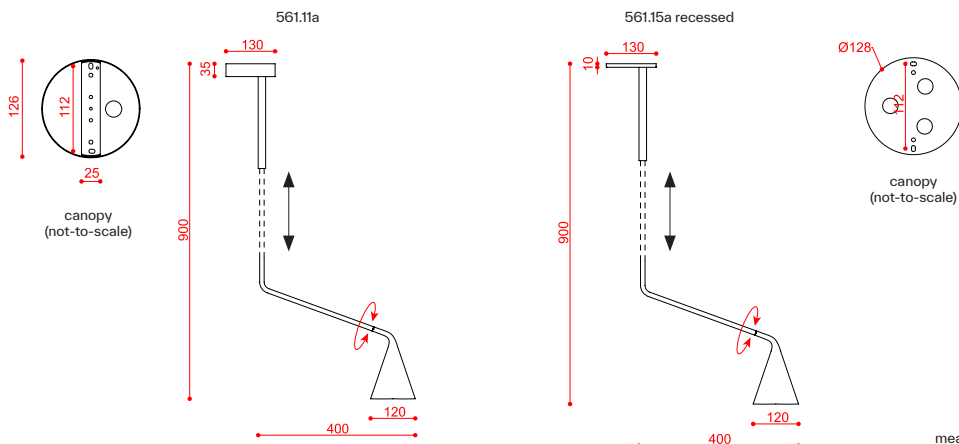


code	voltage	nominal flux	dimmability	finishes	cable (cm)	dimensions (cm)	recommended LED bulb	USD
561.11a 561.15a rec.	110/120V	/	according to bulb	C2 + C2	-	H 70 - 90 x L 40	1 x E26 max 7,5W	\$1,179.00
561.11a 561.15a rec.	110/120V	/	according to bulb	C2 + C41	-	H 70 - 90 x L 40	1 x E26 max 7,5W	\$1,399.00
561.11a 561.15a rec.	110/120V	/	according to bulb	C2 + C48	-	H 70 - 90 x L 40	1 x E26 max 7,5W	\$1,399.00

Hardware Cone



C2 Matte black + C2 Matte black
C2 Matte black + C41 Brushed brass
C2 Matte black + C48 Black chrome



measurements in mm

GORDON

561.11b Ceiling

Design: Corrado Dotti

Description: A new formal and material interpretation of the conical diffuser is the main feature of GORDON lamps.

The essential and refined aspect with a strong character that is conferred by the shape of the brass casting; these practical and versatile lamps are suitable to be used in different environments, from the domestic to the working one as in the commercial spaces and 'hospitality'.

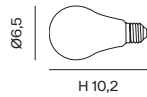
Materials: metal, aluminum, PMMA

Mounting: Canopy: Ø 13 cm included with bracket. Adjustable height: from 75 to 95 cm. Adjustable direct light: 270°. Light source: E26 bulb.

Nt. Wt.: 1,7 kg / 3,8 lb

Class: Degree of protection IP40, insulation class 1.

Note: Recessed canopy available (561.15b). 220/240V version available on request. Max dimensions bulb (excluded):



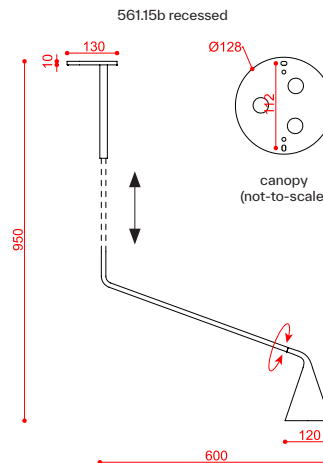
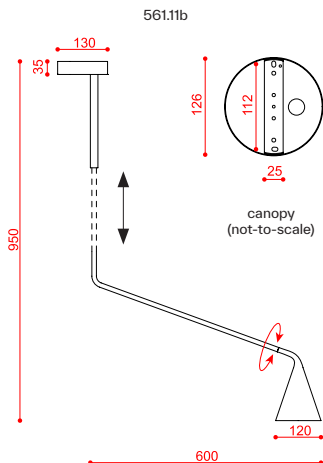
UL CE IP40

code	voltage	nominal flux	dimmability	finishes	cable (cm)	dimensions (cm)	recommended LED bulb	USD
561.11b 561.15b rec.	110/120V	/	according to bulb	C2 + C2	-	H 75 - 95 x L 60	1 x E26 max 7,5W	\$1,199.00
561.11b 561.15b rec.	110/120V	/	according to bulb	C2 + C41	-	H 75 - 95 x L 60	1 x E26 max 7,5W	\$1,429.00
561.11b 561.15b rec.	110/120V	/	according to bulb	C2 + C48	-	H 75 - 95 x L 60	1 x E26 max 7,5W	\$1,429.00

Hardware Cone



C2 Matte black + C2 Matte black
C2 Matte black + C41 Brushed brass
C2 Matte black + C48 Black chrome



measurements in mm

GORDON

561.11c Ceiling

Design: Corrado Dotti

Description: A new formal and material interpretation of the conical diffuser is the main feature of GORDON lamps.

The essential and refined aspect with a strong character that is conferred by the shape of the brass casting; these practical and versatile lamps are suitable to be used in different environments, from the domestic to the working one as in the commercial spaces and 'hospitality'.

Materials: metal, aluminum, PMMA

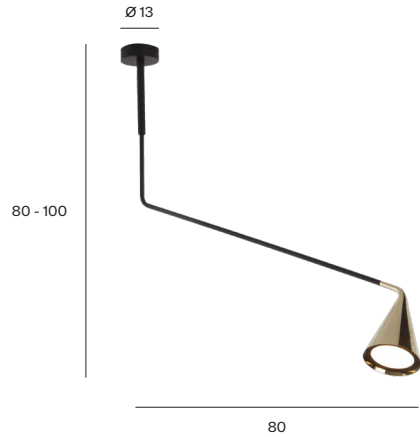
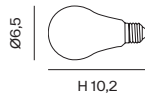
Mounting: Canopy: Ø 13 cm included with bracket. Adjustable height: from 80 to 100 cm. Adjustable direct light: 270°. Light source: E26 bulb.

Nt. Wt.: 1,9 kg / 4,2 lb

Class: Degree of protection IP40, insulation class 1.

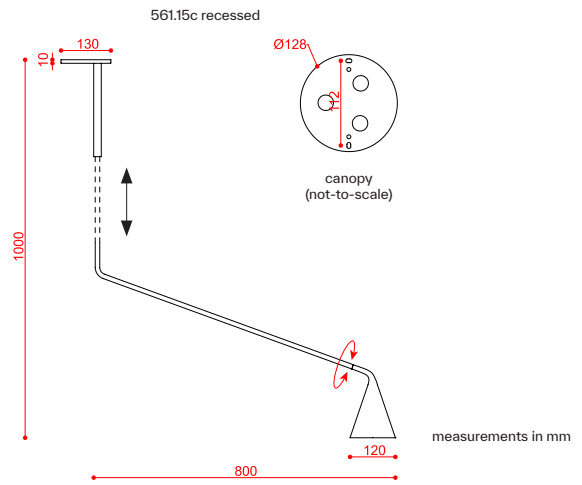
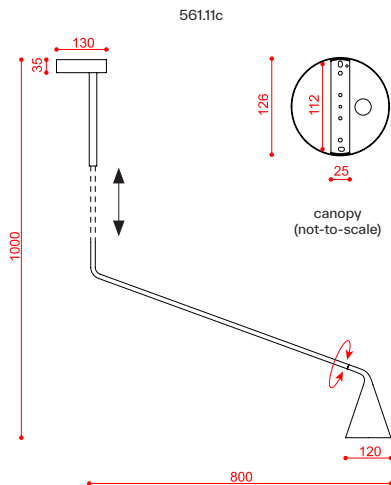
Note: Recessed canopy available (561.15c). 220/240V version available on request. Max dimensions bulb (excluded):

UL CE IP40



code	voltage	nominal flux	dimmability	finishes	cable (cm)	dimensions (cm)	recommended LED bulb	USD
561.11c 561.15c rec.	110/120V	/	according to bulb	C2 + C2	-	H 80 - 100 x L 80	1 x E26 max 7,5W	\$1,199.00
561.11c 561.15c rec.	110/120V	/	according to bulb	C2 + C41	-	H 80 - 100 x L 80	1 x E26 max 7,5W	\$1,449.00
561.11c 561.15c rec.	110/120V	/	according to bulb	C2 + C48	-	H 80 - 100 x L 80	1 x E26 max 7,5W	\$1,449.00

Hardware	Cone	
		C2 Matte black + C2 Matte black
		C2 Matte black + C41 Brushed brass
		C2 Matte black + C48 Black chrome



GORDON

561.13abc Chandelier

Picture on page 66/67 of the catalogue

Design: Corrado Dotti

Description: A new formal and material interpretation of the conical diffuser is the main feature of GORDON lamps. The essential and refined aspect with a strong character that is conferred by the shape of the brass casting; these practical and versatile lamps are suitable to be used in different environments, from the domestic to the working one as in the commercial spaces and 'hospitality'.

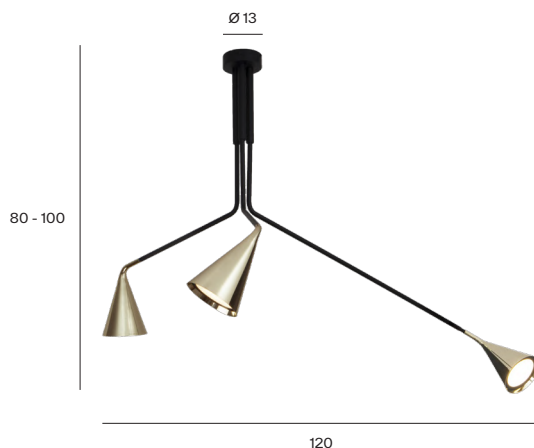
Materials: metal, aluminum, PMMA

Mounting: Canopy: Ø 13 cm included with bracket. Adjustable height: from 80 to 100 cm. Adjustable direct light: 270°. Light source: E26 bulb.

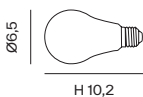
Nt. Wt.: 5,1 kg / 11,3 lb

Class: Degree of protection IP40, insulation class 1.

Note: Recessed canopy available (561.15abc). 220/240V version available on request. Max dimensions bulb (excluded):



UL CE IP40

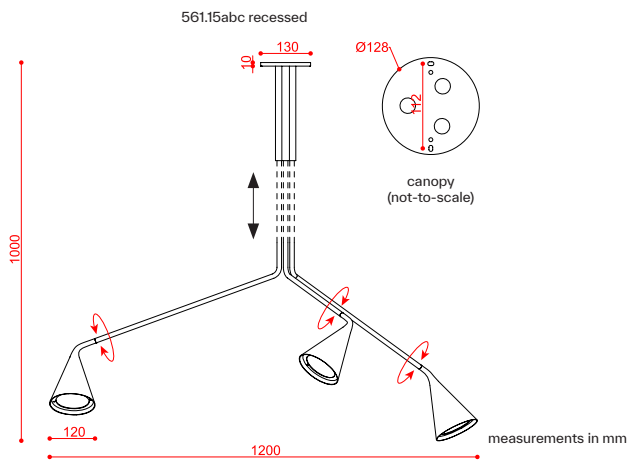
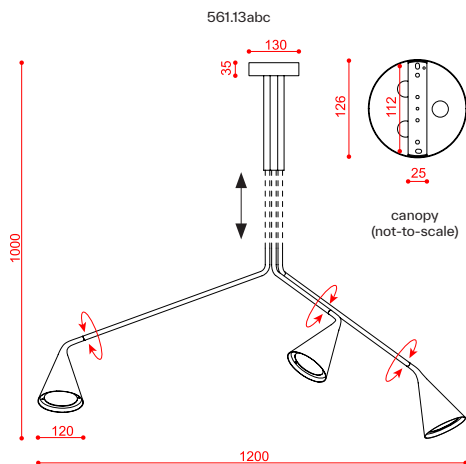


code	voltage	nominal flux	dimmability	finishes	cable (cm)	dimensions (cm)	recommended LED bulb	USD
561.13abc 561.15abc rec.	110/120V	/	according to bulb	C2 + C2	-	H 80 - 100 x L 120	3 x E26 max 7,5W	\$3,499.00
561.13abc 561.15abc rec.	110/120V	/	according to bulb	C2 + C41	-	H 80 - 100 x L 120	3 x E26 max 7,5W	\$3,999.00
561.13abc 561.15abc rec.	110/120V	/	according to bulb	C2 + C48	-	H 80 - 100 x L 120	3 x E26 max 7,5W	\$3,999.00

Hardware Cone



C2 Matte black + C2 Matte black
C2 Matte black + C41 Brushed brass
C2 Matte black + C48 Black chrome



measurements in mm

GORDON

561.21 Pendant

Picture on page 63/65 of the catalogue

Design: Corrado Dotti

Description: A new formal and material interpretation of the conical diffuser is the main feature of GORDON lamps.

The essential and refined aspect with a strong character that is conferred by the shape of the brass casting; these practical and versatile lamps are suitable to be used in different environments, from the domestic to the working one as in the commercial spaces and 'hospitality'.

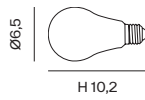
Materials: metal, aluminum, PMMA

Mounting: Pendant: cable length 150 cm. Canopy: Ø 13 cm included with bracket. Light source: E26 bulb.

Nt. Wt.: 0,7 kg / 1,6 lb

Class: Degree of protection IP40, insulation class 1.

Note: 220/240V version available on request.
Max dimensions bulb (excluded):



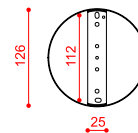
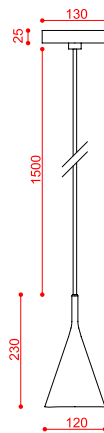
UL CE IP40

code	voltage	nominal flux	dimmiability	finishes	cable (cm)	dimensions (cm)	recommended LED bulb	USD
561.21	110/120V	/	according to bulb	C2 + C2	150	H 23 x Ø 12	1 x E26 max 7,5W	\$799.00
561.21	110/120V	/	according to bulb	C2 + C41	150	H 23 x Ø 12	1 x E26 max 7,5W	\$999.00
561.21	110/120V	/	according to bulb	C2 + C48	150	H 23 x Ø 12	1 x E26 max 7,5W	\$999.00

Hardware Cone



C2 Matte black + C2 Matte black
C2 Matte black + C41 Brushed brass
C2 Matte black + C48 Black chrome

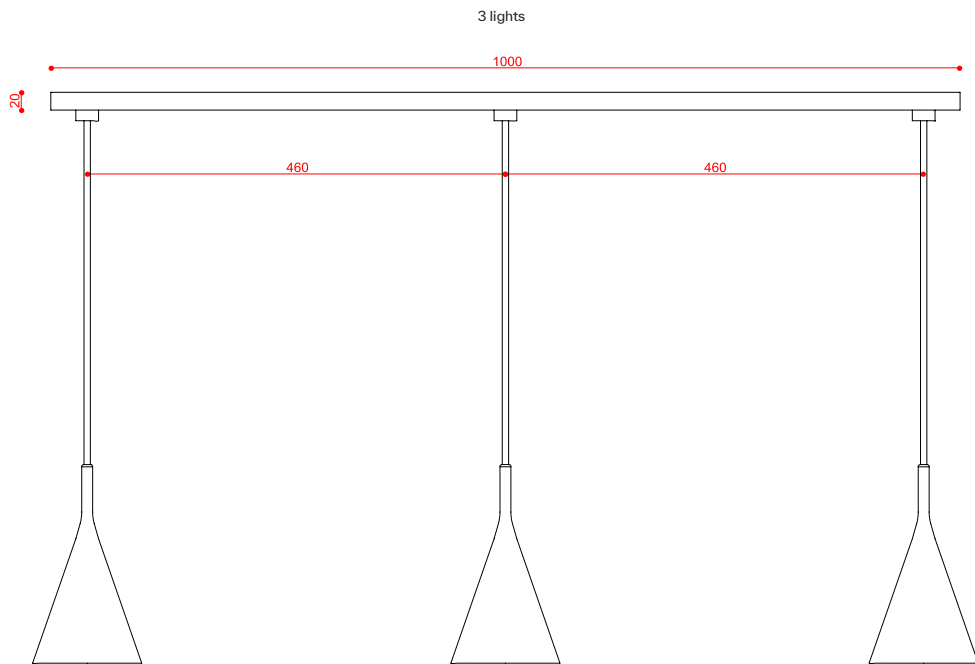
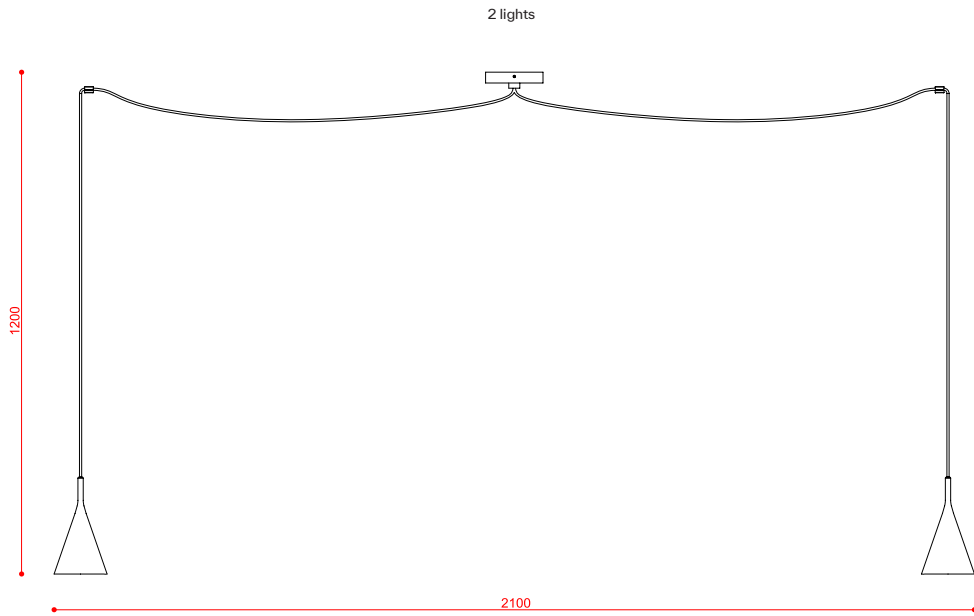


canopy (not-to-scale)

measurements in mm

Suggested application

GORDON Pendant



GORDON

561.22 Pendant

Picture on page 63/65 of the catalogue

Design: Corrado Dotti

Description: A new formal and material interpretation of the conical diffuser is the main feature of GORDON lamps.

The essential and refined aspect with a strong character that is conferred by the shape of the brass casting; these practical and versatile lamps are suitable to be used in different environments, from the domestic to the working one as in the commercial spaces and 'hospitality'.

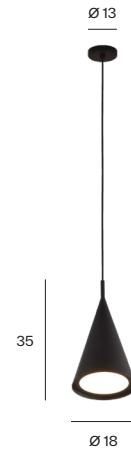
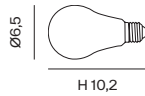
Materials: metal, aluminum, PMMA

Mounting: Pendant: cable length 150 cm. Canopy: Ø 13 cm included with bracket. Light source: E26 bulb.

Nt. Wt.: 1,4 kg / 3,1 lb

Class: Degree of protection IP40, insulation class 1.

Note: 220/240V version available on request.
Max dimensions bulb (excluded):



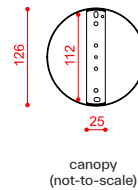
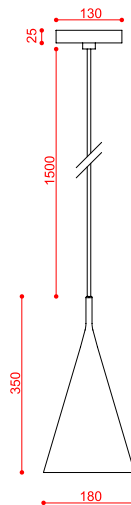
UL CE IP40

code	voltage	nominal flux	dimmiability	finishes	cable (cm)	dimensions (cm)	recommended LED bulb	USD
561.22	110/120V	/	according to bulb	C2 + C2	150	H 35 x Ø 18	1 x E26 max 7,5W	\$1,029.00
561.22	110/120V	/	according to bulb	C2 + C41	150	H 35 x Ø 18	1 x E26 max 7,5W	\$1,229.00
561.22	110/120V	/	according to bulb	C2 + C48	150	H 35 x Ø 18	1 x E26 max 7,5W	\$1,229.00

Hardware Cone



C2 Matte black + C2 Matte black
C2 Matte black + C41 Brushed brass
C2 Matte black + C48 Black chrome



canopy (not-to-scale)

measurements in mm

GORDON

561.24 Pendant

Picture on page 63/65 of the catalogue

Design: Corrado Dotti

Description: A new formal and material interpretation of the conical diffuser is the main feature of GORDON lamps.

The essential and refined aspect with a strong character that is conferred by the shape of the brass casting; these practical and versatile lamps are suitable to be used in different environments, from the domestic to the working one as in the commercial spaces and 'hospitality'.

Materials: metal, aluminum, PMMA

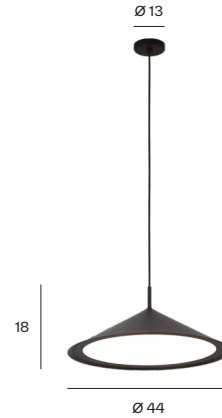
Mounting: Pendant: cable length 150 cm. Canopy: Ø 13 cm included with bracket. Light source: integrated LED

Nt. Wt.: 5,2 kg / 11,5 lb

Class: Degree of protection IP40, insulation class 1.

Note: 220/240V version available on request.

CE  IP40

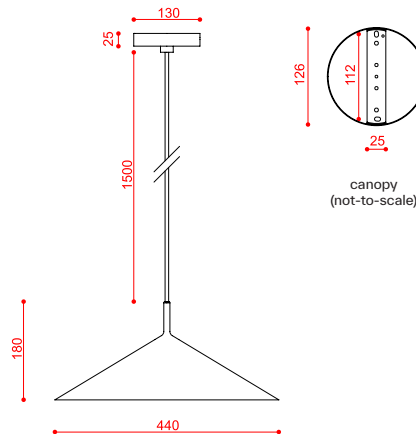


code	voltage	nominal flux	dimmiability	finishes	cable (cm)	dimensions (cm)	LED	USD
561.24	110/120V	2760	phase cut	C2 + C2	150	H 18 x Ø 44	24W 2700K	\$1,599.00
561.24	110/120V	2760	phase cut	C2 + C41	150	H 18 x Ø 44	24W 2700K	\$1,999.00
561.24	110/120V	2760	phase cut	C2 + C48	150	H 18 x Ø 44	24W 2700K	\$1,999.00

Hardware Cone



C2 Matte black + C2 Matte black
 C2 Matte black + C41 Brushed brass
 C2 Matte black + C48 Black chrome



measurements in mm

GORDON

561.31 Table

Picture on page 29 of the catalogue

Design: Corrado Dotti

Description: A new formal and material interpretation of the conical diffuser is the main feature of GORDON lamps. The essential and refined aspect with a strong character that is conferred by the shape of the brass casting; these practical and versatile lamps are suitable to be used in different environments, from the domestic to the working one as in the commercial spaces and 'hospitality'.

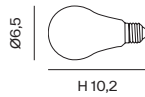
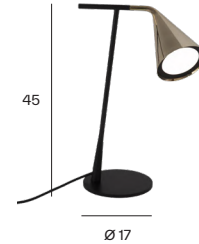
Materials: metal, aluminum, PMMA

Mounting: Table: cable length 150 cm. Plug: type A. On/off switch: 50 cm from the base on black fabric cable. Adjustable direct light: 270°. Light source: E26 bulb.

Nt. Wt.: 2,4 kg / 5,3 lb

Class: Degree of protection IP40, insulation class 2.

Note: Dimmer version available.
220/240V version available on request.
Max dimensions bulb (excluded):



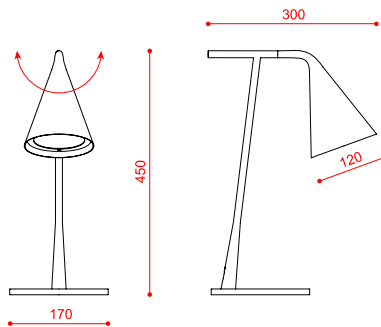
UL CE IP40

code	voltage	nominal flux	dimmability	finishes	cable (cm)	dimensions (cm)	recommended LED bulb	USD
561.31	110/120V	/	on request	C2 + C2	150	H 45 x L 30	1 x E26 max 7,5W	\$1,349.00
561.31	110/120V	/	on request	C2 + C41	150	H 45 x L 30	1 x E26 max 7,5W	\$1,579.00
561.31	110/120V	/	on request	C2 + C48	150	H 45 x L 30	1 x E26 max 7,5W	\$1,599.00

Hardware Cone



C2 Matte black + C2 Matte black
C2 Matte black + C41 Brushed brass
C2 Matte black + C48 Black chrome



measurements in mm

GORDON

561.41 Wall

Design: Corrado Dotti

Description: A new formal and material interpretation of the conical diffuser is the main feature of GORDON lamps.

The essential and refined aspect with a strong character that is conferred by the shape of the brass casting; these practical and versatile lamps are suitable to be used in different environments, from the domestic to the working one as in the commercial spaces and 'hospitality'.

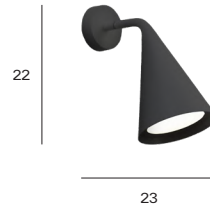
Materials: metal, aluminum, PMMA

Mounting: Base: Ø 8 cm included with bracket. Adjustable direct light: 270°. Light source: E26 bulb.

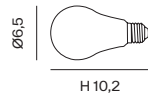
Nt. Wt.: 0,7 kg / 1,6 lb

Class: Degree of protection IP40, insulation class 1.

Note: Base for Junction Box included.
Recessed base available (561.45).
220/240V version available on request.
Max dimensions bulb (excluded):



UL CE IP40

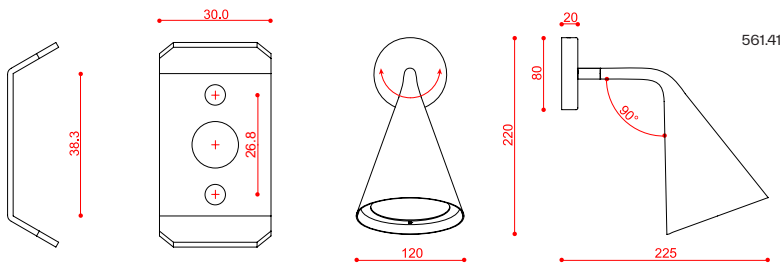


code	voltage	nominal flux	dimmability	finishes	cable (cm)	dimensions (cm)	recommended LED bulb	USD
561.41 561.45 rec.	110/120V	/	according to bulb	C2 + C2	/	H 22 x L23 H 22 x L21	1 x E26 max 7,5W	\$799.00
561.41 561.45 rec.	110/120V	/	according to bulb	C2 + C41	/	H 22 x L23 H 22 x L21	1 x E26 max 7,5W	\$1,099.00
561.41 561.45 rec.	110/120V	/	according to bulb	C2 + C48	/	H 22 x L23 H 22 x L21	1 x E26 max 7,5W	\$1,099.00

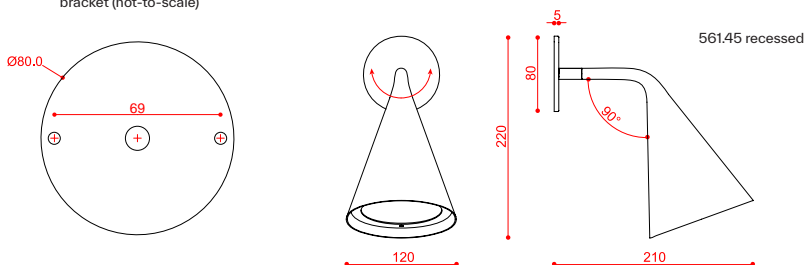
Hardware Cone



C2 Matte black + C2 Matte black
C2 Matte black + C41 Brushed brass
C2 Matte black + C48 Black chrome



bracket (not-to-scale)



measurements in mm

GORDON

561.42 Wall

Design: Corrado Dotti

Description: A new formal and material interpretation of the conical diffuser is the main feature of GORDON lamps.

The essential and refined aspect with a strong character that is conferred by the shape of the brass casting; these practical and versatile lamps are suitable to be used in different environments, from the domestic to the working one as in the commercial spaces and 'hospitality'.

Materials: metal, aluminum, PMMA

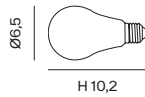
Mounting: Base: Ø 8 cm included with bracket. Adjustable direct light: 270°. Light source: E26 bulb.

Nt. Wt.: 0,7 kg / 1,6 lb

Class: Degree of protection IP40, insulation class 1.

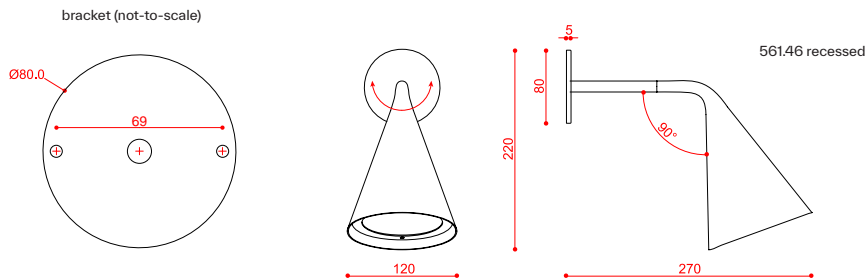
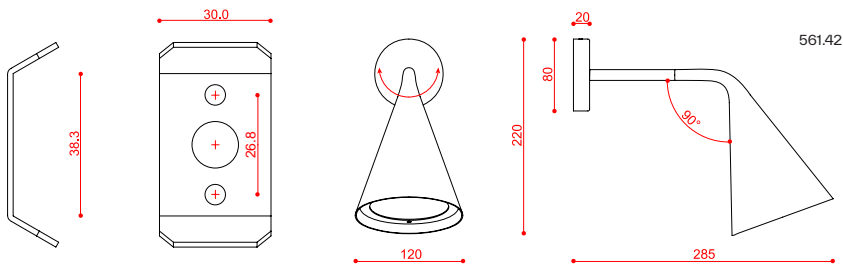
Note: Base for Junction Box included.
Recessed base available (561.46).
220/240V version available on request.
Max dimensions bulb (excluded):

UL CE IP40



code	voltage	nominal flux	dimmability	finishes	cable (cm)	dimensions (cm)	recommended LED bulb	USD
561.42 561.46 rec.	110/120V	/	according to bulb	C2 + C2	/	H 22 x L 29 H 22 x L 27	1 x E26 max 7,5W	\$849.00
561.42 561.46 rec.	110/120V	/	according to bulb	C2 + C41	/	H 22 x L 29 H 22 x L 27	1 x E26 max 7,5W	\$1,149.00
561.42 561.46 rec.	110/120V	/	according to bulb	C2 + C48	/	H 22 x L 29 H 22 x L 27	1 x E26 max 7,5W	\$1,149.00

- Hardware Cone
-  C2 Matte black + C2 Matte black
 -  C2 Matte black + C41 Brushed brass
 -  C2 Matte black + C48 Black chrome



measurements in mm

GORDON

561.43 Wall

Design: Corrado Dotti

Description: A new formal and material interpretation of the conical diffuser is the main feature of GORDON lamps.

The essential and refined aspect with a strong character that is conferred by the shape of the brass casting; these practical and versatile lamps are suitable to be used in different environments, from the domestic to the working one as in the commercial spaces and 'hospitality'.

Materials: metal, aluminum, PMMA

Mounting: Base: Ø 8 cm included with bracket. Adjustable direct light: 270°. Light source: E26 bulb.

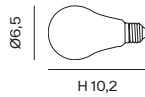
Nt. Wt.: 0,7 kg / 1,6 lb

Class: Degree of protection IP40, insulation class 1.

Note: Base for Junction Box included.
Recessed base available (561.47).
220/240V version available on request.
Max dimensions bulb (excluded):

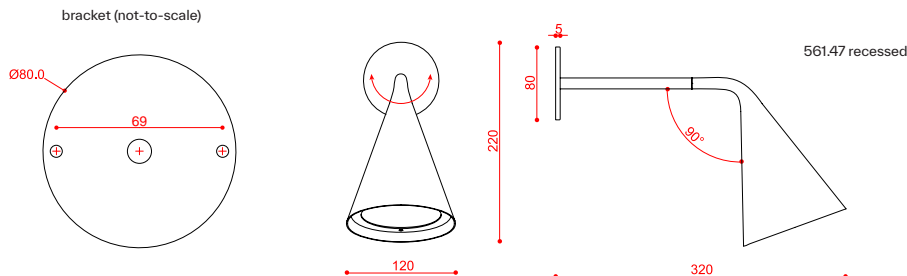
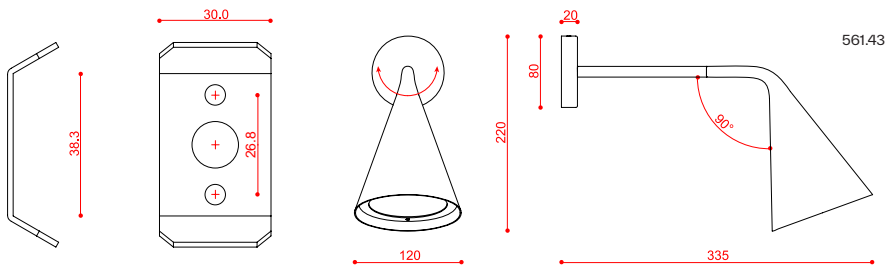


UL CE IP40



code	voltage	nominal flux	dimmability	finishes	cable (cm)	dimensions (cm)	recommended LED bulb	USD
561.43 561.47 rec.	110/120V	/	according to bulb	C2 + C2	/	H 22 x L 34 H 22 x L 32	1 x E26 max 7,5W	\$899.00
561.43 561.47 rec.	110/120V	/	according to bulb	C2 + C41	/	H 22 x L 34 H 22 x L 32	1 x E26 max 7,5W	\$1,199.00
561.43 561.47 rec.	110/120V	/	according to bulb	C2 + C48	/	H 22 x L 34 H 22 x L 32	1 x E26 max 7,5W	\$1,199.00

Hardware	Cone	
		C2 Matte black + C2 Matte black
		C2 Matte black + C41 Brushed brass
		C2 Matte black + C48 Black chrome



measurements in mm

GORDON

561.48 Wall

Picture on page 68 of the catalogue

Design: Corrado Dotti

Description: A new formal and material interpretation of the conical diffuser is the main feature of GORDON lamps.

The essential and refined aspect with a strong character that is conferred by the shape of the brass casting; these practical and versatile lamps are suitable to be used in different environments, from the domestic to the working one as in the commercial spaces and 'hospitality'.

Materials: metal, aluminum, PMMA

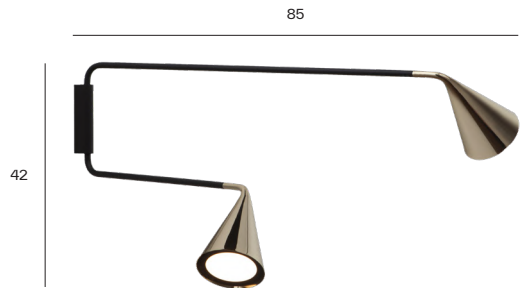
Mounting: Base: 13,5 x 3 cm included with bracket. Adjustable direct light: 270°. Adjustable rods: 180°. Light source: E26 bulb.

Nt. Wt.: 2 kg/ 4,4 lb

Class: Degree of protection IP40, insulation class 1.

Note: Base for Junction Box included.
220/240V version available on request.
Max dimensions bulb (excluded):

UL CE IP40

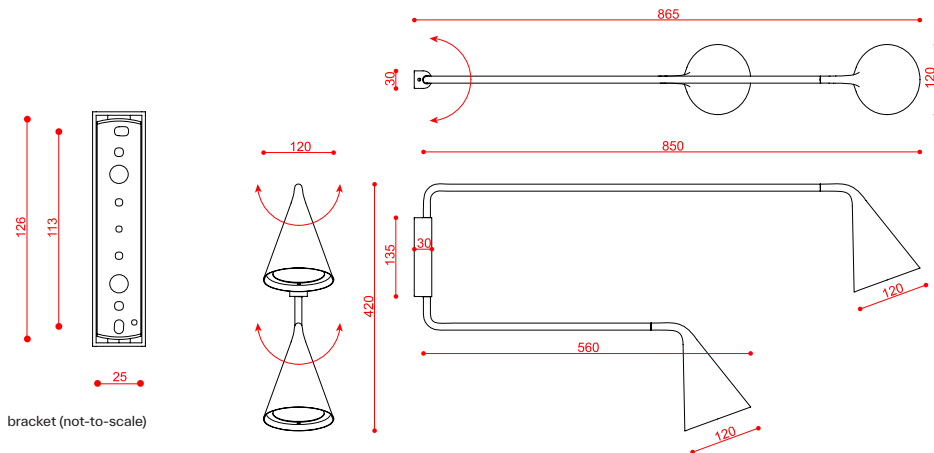


code	voltage	nominal flux	dimmiability	finishes	cable (cm)	dimensions (cm)	recommended LED bulb	USD
561.48	110/120V	/	according to bulb	C2 + C2	/	H 42 x L 85	2 x E26 max 7,5W	\$2,449.00
561.48	110/120V	/	according to bulb	C2 + C41	/	H 42 x L 85	2 x E26 max 7,5W	\$2,949.00
561.48	110/120V	/	according to bulb	C2 + C48	/	H 42 xz L 85	2 x E26 max 7,5W	\$2,949.00

Hardware Cone



C2 Matte black + C2 Matte black
C2 Matte black + C41 Brushed brass
C2 Matte black + C48 Black chrome



measurements in mm

GORDON



561.49 Wall

Picture on page 70 of the catalogue

Design: Corrado Dotti

Description: A new formal and material interpretation of the conical diffuser is the main feature of GORDON lamps. The essential and refined aspect with a strong character that is conferred by the shape of the brass casting; these practical and versatile lamps are suitable to be used in different environments, from the domestic to the working one as in the commercial spaces and 'hospitality'.

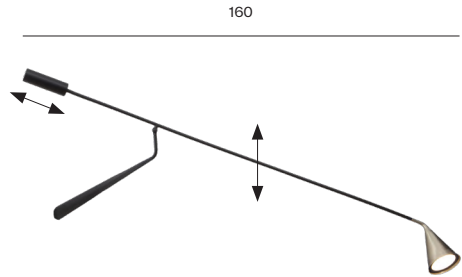
Materials: metal, aluminum, PMMA

Mounting: Base: Ø 5 cm included with bracket. Adjustable direct light: 270°. Adjustable rod: three axes with counterweight. Light source: E26 bulb.

Nt. Wt.: 4 kg / 8,9 lb

Class: Degree of protection IP40, insulation class 1.

Note: Base for Junction Box included. Custom base on request. 220/240V version available on request. Max dimensions bulb (excluded):



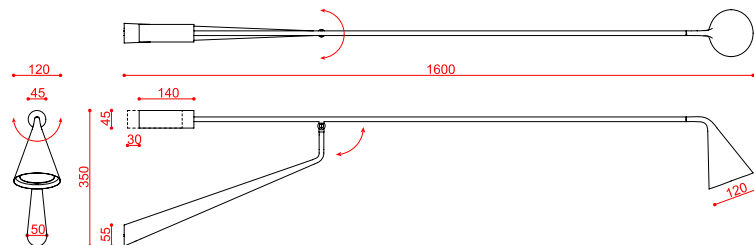
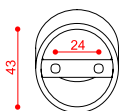
UL CE IP40



code	voltage	nominal flux	dimmiability	finishes	cable (cm)	dimensions (cm)	recommended LED bulb	USD
561.49	110/120V	/	according to bulb	C2 + C2	/	L 160	1 x E26 max 7,5W	\$2,649.00
561.49	110/120V	/	according to bulb	C2 + C41	/	L 160	1 x E26 max 7,5W	\$2,799.00
561.49	110/120V	/	according to bulb	C2 + C48	/	L 160	1 x E26 max 7,5W	\$2,799.00

Hardware	Cone	
		C2 Matte black + C2 Matte black
		C2 Matte black + C41 Brushed brass
		C2 Matte black + C48 Black chrome

bracket (not-to-scale)



measurements in mm

GORDON

561.61 Floor

Picture on page 69 of the catalogue

Design: Corrado Dotti

Description: A new formal and material interpretation of the conical diffuser is the main feature of GORDON lamps. The essential and refined aspect with a strong character that is conferred by the shape of the brass casting; these practical and versatile lamps are suitable to be used in different environments, from the domestic to the working one as in the commercial spaces and 'hospitality'.

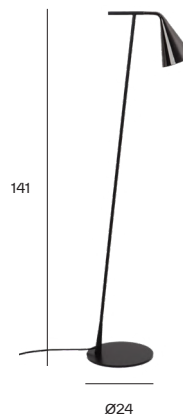
Materials: metal, aluminum, PMMA

Mounting: Floor: cable length 300 cm. Plug: type A. On/off switch: 80 cm from the base on black fabric cable. Adjustable direct light: 270°. Light source: E26 bulb.

Nt. Wt.: 4,3 kg / 9,5 lb

Class: Degree of protection IP40, insulation class 2.

Note: Dimmer version available on request.
220/240V version available on request.
Max dimensions bulb (excluded):



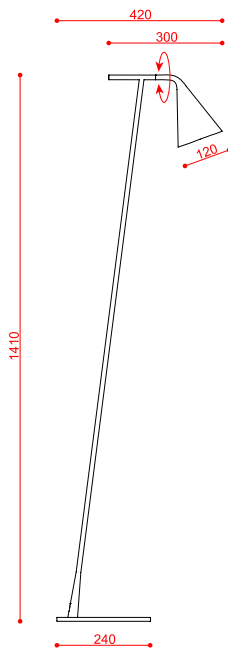
UL CE IP40

code	voltage	nominal flux	dimmability	finishes	cable (cm)	dimensions (cm)	recommended LED bulb	USD
561.61	110/120V	/	on request	C2 + C2	300	H 140 x L 42	1 x E26 max 7,5W	\$1,999.00
561.61	110/120V	/	on request	C2 + C41	300	H 140 x L 42	1 x E26 max 7,5W	\$2,449.00
561.61	110/120V	/	on request	C2 + C48	300	H 140 x L 42	1 x E26 max 7,5W	\$2,449.00

Hardware Cone



C2 Matte black + C2 Matte black
C2 Matte black + C41 Brushed brass
C2 Matte black + C48 Black chrome



measurements in mm

GORDON

561.71 Ceiling

Design: Corrado Dotti

Description: A new formal and material interpretation of the conical diffuser is the main feature of GORDON lamps.

The essential and refined aspect with a strong character that is conferred by the shape of the brass casting; these practical and versatile lamps are suitable to be used in different environments, from the domestic to the working one as in the commercial spaces and 'hospitality'.

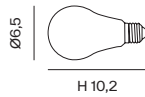
Materials: metal, aluminum, PMMA

Mounting: Base: Ø 7 cm included with bracket. Adjustable direct light: 270° . Light source: E26 bulb.

Nt. Wt.: 0,8 kg / 1,8 lb

Class: Degree of protection IP40, insulation class 1.

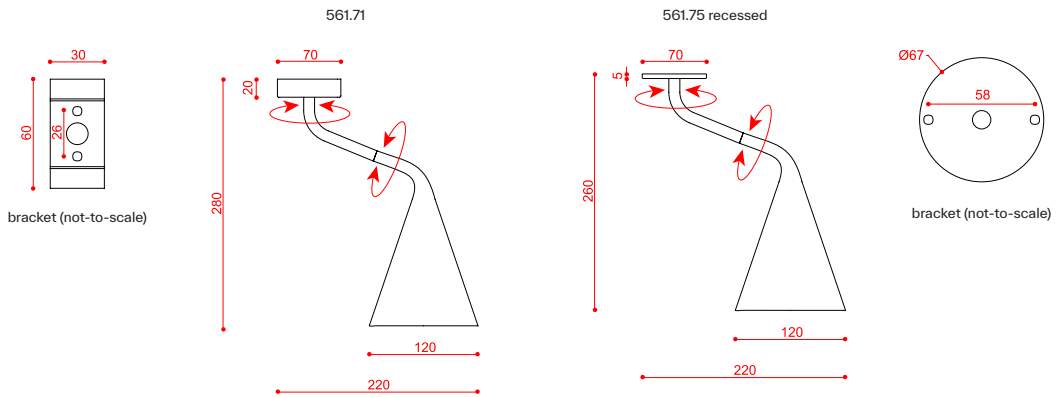
Note: Base for Junction Box included.
Recessed canopy available.
220/240V version available on request.
Max dimensions bulb (excluded):



UL CE IP40

code	voltage	nominal flux	dimmability	finishes	cable (cm)	dimensions (cm)	recommended LED bulb	USD
561.71 561.75 rec	110/120V	/	according to bulb	C2 + C2	/	H 28 x L 22 H 26 x L 22	1 x E26 max 7,5W	\$1,099.00
561.71 561.75 rec	110/120V	/	according to bulb	C2 + C41	/	H 28 x L 22 H 26 x L 22	1 x E26 max 7,5W	\$1,229.00
561.71 561.75 rec	110/120V	/	according to bulb	C2 + C48	/	H 28 x L 22 H 26 x L 22	1 x E26 max 7,5W	\$1,229.00

Hardware	Cone	
		C2 Matte black + C2 Matte black
		C2 Matte black + C41 Brushed brass
		C2 Matte black + C48 Black chrome



measurements in mm

LEGIER

557.14 Chandelier

Design: Corrado Dotti

Description: Collection of lamps inspired by the classical shapes of Murano diffuser usually used as decoration anywhere in a house; elegant spherical cruet apparently fragile yet very robust and functional. Versatile, elegant and robust, these lamps can be positioned on the floor, on the table, ceiling, wall and hanging, both in one-unit version or in the chandelier one with four or six elements. These lamps give class and sophistication to any location, whether it be sober or lavish.

Materials: metal, glass, brass, aluminum

Mounting: Pendant: cable length 150 cm. Canopy: Ø 50 cm included with bracket. Glass: available in opal white or smoke. Light source: Integrated LED.

Nt. Wt.: 12,7 kg / 28 lb

Class: Degree of protection IP40, insulation class 1.

Note: Also available in E26 with opal white glass only. Custom canopy on request. Additional suspensions available on request. 220/240V version available on request.

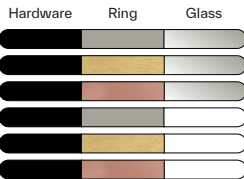


Ø 80

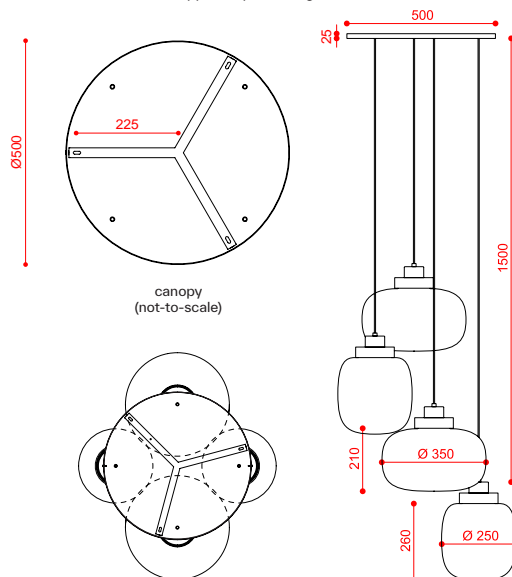
CE IP40

In E26: CE IP40

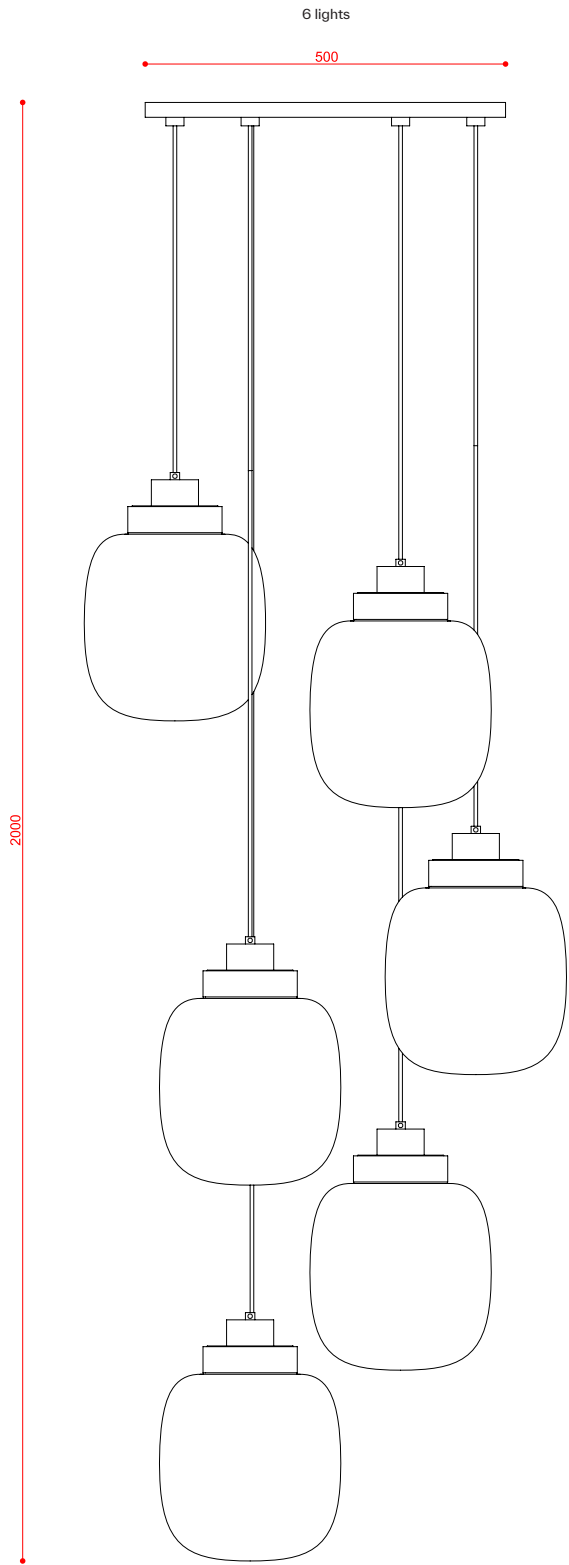
code	voltage	nominal flux	dimmability	finishes	cable (cm)	dimensions (cm)	LED	USD
557.14	110/120V	4600 lm	phase cut	C74 + C30	150	Ø 80	4 x 10W 2700K	\$5,999.00
557.14	110/120V	4600 lm	phase cut	C74 + C41	150	Ø 80	4 x 10W 2700K	\$5,999.00
557.14	110/120V	4600 lm	phase cut	C74 + C99	150	Ø 80	4 x 10W 2700K	\$5,999.00



- C74 Sand black + C30 Light grey + Smoke glass
- C74 Sand black + C41 Brushed brass + Smoke glass
- C74 Sand black + C99 Copper + Smoke glass
- C74 Sand black + C30 Light grey + Opal white glass
- C74 Sand black + C41 Brushed brass + Opal white glass
- C74 Sand black + C99 Copper + Opal white glass



measurements in mm



LEGIER

557.22 Pendant
Picture on page 79 of the catalogue

Design: Corrado Dotti

Description: Collection of lamps inspired by the classical shapes of Murano diffusor usually used as decoration anywhere in a house; elegant spherical cruet apparently fragile yet very robust and functional. Versatile, elegant and robust, these lamps can be positioned on the floor, on the table, ceiling, wall and hanging, both in one-unit version or in the chandelier one with four or six elements. These lamps give class and sophistication to any location, whether it be sober or lavish.

Materials: metal, glass, brass, aluminum

Mounting: Pendant: cable length 150 cm. Canopy: Ø 13 cm included with bracket. Glass: available in opal white or smoke. Light source: Integrated LED.

Nt. Wt.: 2,2 kg / 4,9 lb

Class: Degree of protection IP40, insulation class 1.

Note: Also available in E26 with opal white glass only. 220/240V version available on request.

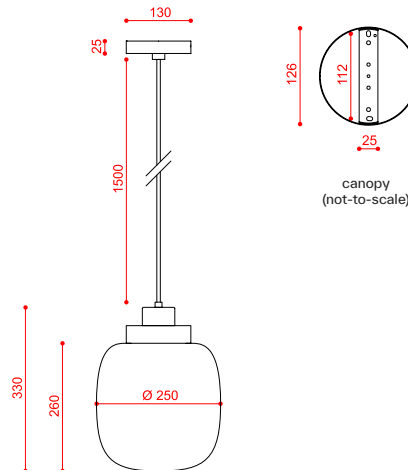


CE IP40

In E26: UL CE IP40

code	voltage	nominal flux	dimmability	finishes	cable (cm)	dimensions (cm)	LED	USD
557.22	110/120V	1150 lm	phase cut	C74 + C30	150	H 33 x Ø 25	10W 2700K	\$1,399.00
557.22	110/120V	1150 lm	phase cut	C74 + C41	150	H 33 x Ø 25	10W 2700K	\$1,399.00
557.22	110/120V	1150 lm	phase cut	C74 + C99	150	H 33 x Ø 25	10W 2700K	\$1,399.00

Hardware	Ring	Glass	
			C74 Sand black + C30 Light grey + Smoke glass
			C74 Sand black + C41 Brushed brass + Smoke glass
			C74 Sand black + C99 Copper + Smoke glass
			C74 Sand black + C30 Light grey + Opal white glass
			C74 Sand black + C41 Brushed brass + Opal white glass
			C74 Sand black + C99 Copper + Opal white glass



measurements in mm

LEGIER

557.24 Pendant
Picture on page 79 of the catalogue

Design: Corrado Dotti

Description: Collection of lamps inspired by the classical shapes of Murano diffusor usually used as decoration anywhere in a house; elegant spherical cruet apparently fragile yet very robust and functional. Versatile, elegant and robust, these lamps can be positioned on the floor, on the table, ceiling, wall and hanging, both in one-unit version or in the chandelier one with four or six elements. These lamps give class and sophistication to any location, whether it be sober or lavish.

Materials: metal, glass, brass, aluminum

Mounting: Pendant: cable length 150 cm. Canopy: Ø 13 cm included with bracket. Glass: available in opal white or smoke. Light source: Integrated LED.

Nt. Wt.: 2,2 kg / 4,9 lb

Class: Degree of protection IP40, insulation class 1.

Note: Also available in E26 with opal white glass only. 220/240V version available on request.

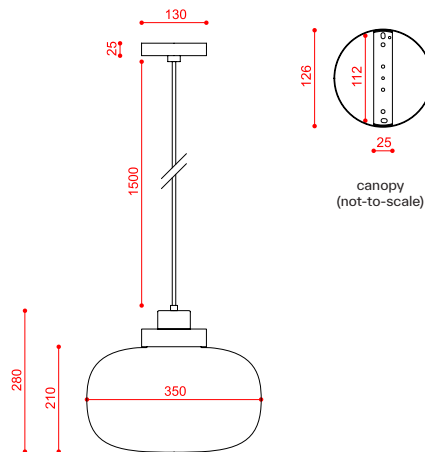


CE IP40

In E26: UL CE IP40

code	voltage	nominal flux	dimmability	finishes	cable (cm)	dimensions (cm)	LED	USD
557.24	110/120V	1150 lm	phase cut	C74 + C30	150	H 28 x Ø 35	10W 2700K	\$1,549.00
557.24	110/120V	1150 lm	phase cut	C74 + C41	150	H 28 x Ø 35	10W 2700K	\$1,549.00
557.24	110/120V	1150 lm	phase cut	C74 + C99	150	H 28 x Ø 35	10W 2700K	\$1,549.00

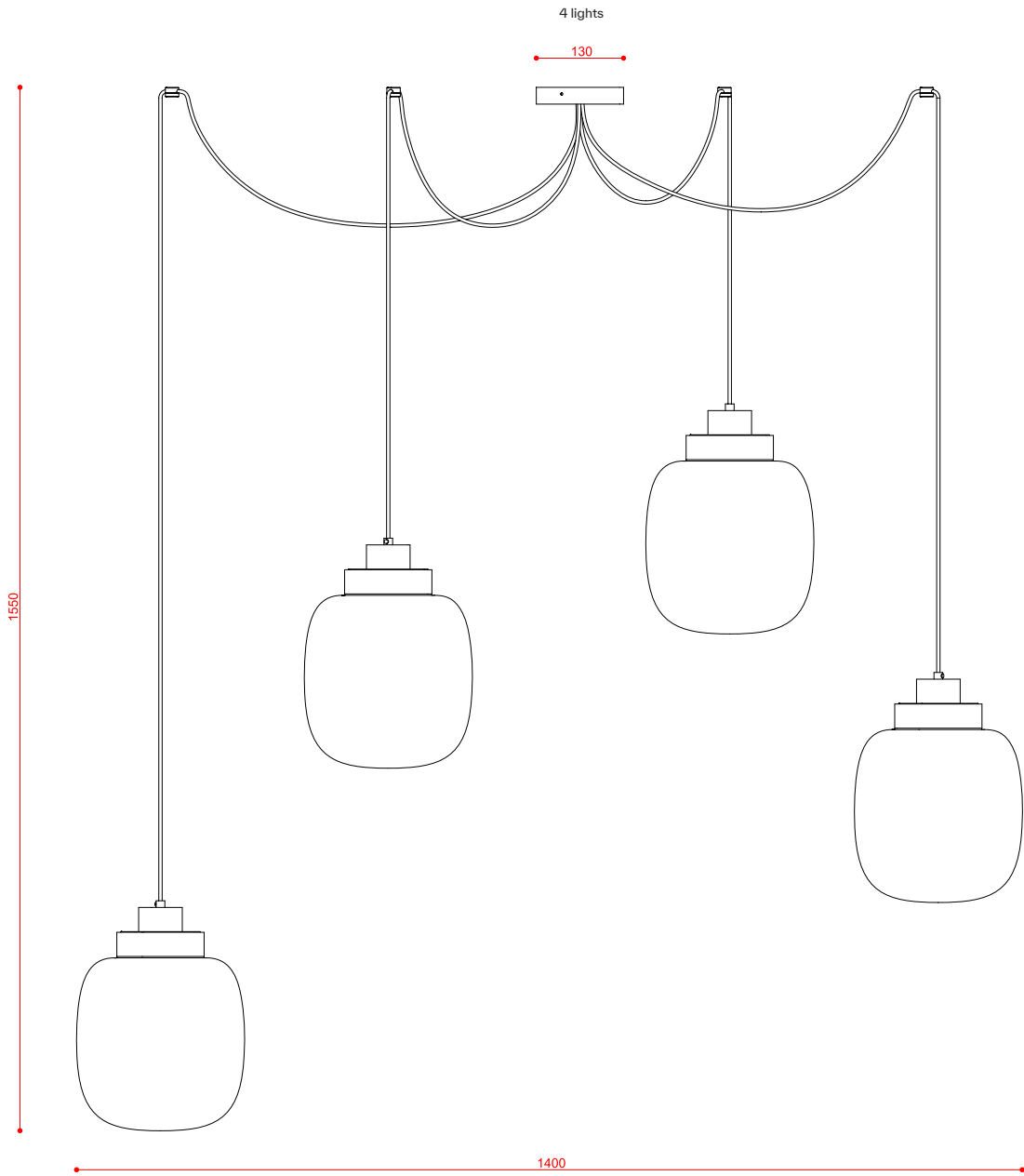
Hardware	Ring	Glass	
			C74 Sand black + C30 Light grey + Smoke glass
			C74 Sand black + C41 Brushed brass + Smoke glass
			C74 Sand black + C99 Copper + Smoke glass
			C74 Sand black + C30 Light grey + Opal white glass
			C74 Sand black + C41 Brushed brass + Opal white glass
			C74 Sand black + C99 Copper + Opal white glass



measurements in mm

Suggested application

LEGIER Pendant



LEGIER

557.26 Chandelier

Picture on page 74/76/77 of the catalogue

Design: Corrado Dotti

Description: Collection of lamps inspired by the classical shapes of Murano diffuser usually used as decoration anywhere in a house; elegant spherical cruet apparently fragile yet very robust and functional. Versatile, elegant and robust, these lamps can be positioned, both in one-unit version or in the chandelier one with four or six elements. These lamps give class and sophistication to any location, whether it be sober or lavish.

Materials: metal, glass, brass, aluminum

Mounting: Pendant: cable length 150 cm. Canopy: Ø 23 cm included with bracket. Ceiling attachment: 6 included. Glass: available in opal white or smoke. Light source: Integrated LED.

Nt. Wt.: 15,6 kg / 34,4 lb

Class: Degree of protection IP40, insulation class 1.

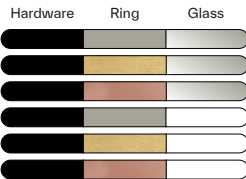
Note: Also available in E26 with opal white glass only. Custom canopy on request. Additional suspensions available on request. 220/240V version available on request.



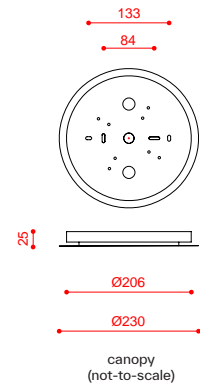
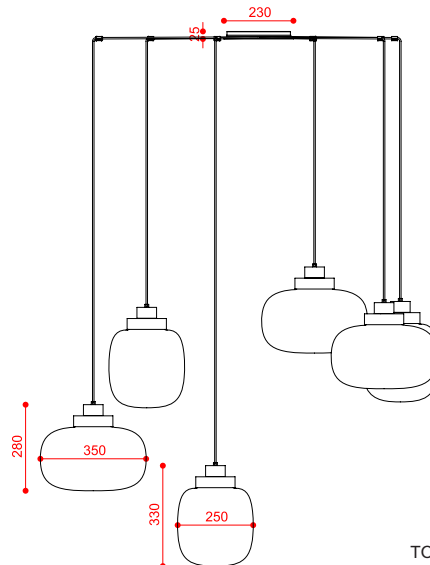
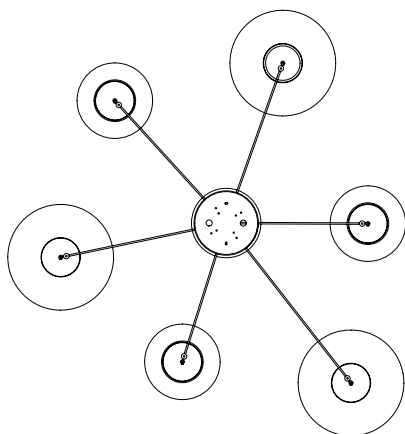
CE IP40

In E26: UL CE IP40

code	voltage	nominal flux	dimmability	finishes	cable (cm)	dimensions (cm)	LED	USD
557.26	110/120V	6900 lm	phase cut	C74 + C30	150	H 50/100 Ø 100/200	6 x 10W 2700K	\$8,799.00
557.26	110/120V	6900 lm	phase cut	C74 + C41	150	H 50/100 Ø 100/200	6 x 10W 2700K	\$8,799.00
557.26	110/120V	6900 lm	phase cut	C74 + C99	150	H 50/100 Ø 100/200	6 x 10W 2700K	\$8,799.00



- C74 Sand black + C30 Light grey + Smoke glass
- C74 Sand black + C41 Brushed brass + Smoke glass
- C74 Sand black + C99 Copper + Smoke glass
- C74 Sand black + C30 Light grey + Opal white glass
- C74 Sand black + C41 Brushed brass + Opal white glass
- C74 Sand black + C99 Copper + Opal white glass



measurements in mm

LEGIER

557.32 Table

Picture on page 78 of the catalogue

Design: Corrado Dotti

Description: Collection of lamps inspired by the classical shapes of Murano diffusor usually used as decoration anywhere in a house; elegant spherical cruet apparently fragile yet very robust and functional. Versatile, elegant and robust. These lamps give class and sophistication to any location, whether it be sober or lavish.

Materials: metal, glass, brass, aluminum

Mounting: Table: cable length 150 cm. Plug: type A. Dimmer: 50 cm from the base on black fabric cable. Glass: available in opal white or smoke. Light source: Integrated LED.

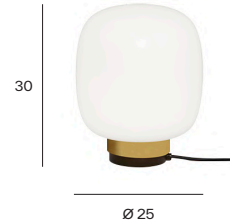
Nt. Wt.: 2,2 kg / 4,9 lb

Class: Degree of protection IP40, insulation class 2.

Note: Also available in E26 with opal white glass only. 220/240V version available on request.

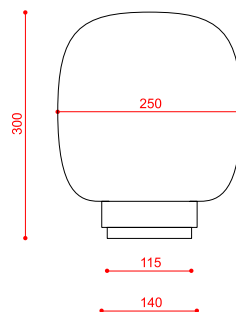
CE IP40

In E26: CE IP40



code	voltage	nominal flux	dimmiability	finishes	cable (cm)	dimensions (cm)	LED	USD
557.32	110/120V	1150 lm	phase cut	C74 + C30	150	H 30 x Ø 25	10W 2700K	\$1,449.00
557.32	110/120V	1150 lm	phase cut	C74 + C41	150	H 30 x Ø 25	10W 2700K	\$1,449.00
557.32	110/120V	1150 lm	phase cut	C74 + C99	150	H 30 x Ø 25	10W 2700K	\$1,449.00

Hardware	Ring	Glass	
			C74 Sand black + C30 Light grey + Smoke glass
			C74 Sand black + C41 Brushed brass + Smoke glass
			C74 Sand black + C99 Copper + Smoke glass
			C74 Sand black + C30 Light grey + Opal white glass
			C74 Sand black + C41 Brushed brass + Opal white glass
			C74 Sand black + C99 Copper + Opal white glass



measurements in mm

LEGIER

557.34 Table

Picture on page 73/80/81/82 of the catalogue

Design: Corrado Dotti

Description: Collection of lamps inspired by the classical shapes of Murano diffusor usually used as decoration anywhere in a house; elegant spherical cruet apparently fragile yet very robust and functional. Versatile, elegant and robust. These lamps give class and sophistication to any location, whether it be sober or lavish.

Materials: metal, glass, brass, aluminum

Mounting: Table: cable length 150 cm. Plug: type A. Dimmer: 50 cm from the base on black fabric cable. Glass: available in opal white or smoke. Light source: Integrated LED.

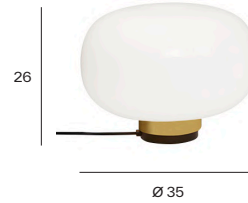
Nt. Wt.: 3 kg/ 6,7 lb

Class: Degree of protection IP40, insulation class 2.

Note: Also available in E26 with opal white glass only. 220/240V version available on request.

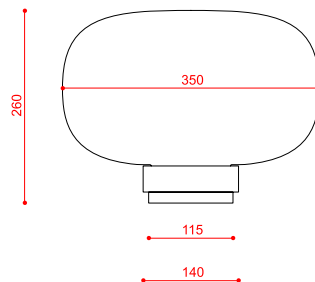
CE □ IP40

In E26: Ⓢ CE □ IP40



code	voltage	nominal flux	dimmiability	finishes	cable (cm)	dimensions (cm)	LED	USD
557.34	110/120V	1150 lm	phase cut	C74 + C30	150	H 28 x Ø 35	10W 2700K	\$1,599.00
557.34	110/120V	1150 lm	phase cut	C74 + C41	150	H 28 x Ø 35	10W 2700K	\$1,599.00
557.34	110/120V	1150 lm	phase cut	C74 + C99	150	H 28 x Ø 35	10W 2700K	\$1,599.00

Hardware	Ring	Glass	
			C74 Sand black + C30 Light grey + Smoke glass
			C74 Sand black + C41 Brushed brass + Smoke glass
			C74 Sand black + C99 Copper + Smoke glass
			C74 Sand black + C30 Light grey + Opal white glass
			C74 Sand black + C41 Brushed brass + Opal white glass
			C74 Sand black + C99 Copper + Opal white glass



measurements in mm

LEGIER

557.42 Wall

Design: Corrado Dotti

Description: Collection of lamps inspired by the classical shapes of Murano diffusor usually used as decoration anywhere in a house; elegant spherical cruet apparently fragile yet very robust and functional. Versatile, elegant and robust. These lamps give class and sophistication to any location, whether it be sober or lavish.

Materials: metal, glass, brass, aluminum

Mounting: Base: Ø 11,5 cm included with bracket. Glass: available in opal white or smoke. Light source: Integrated LED.

Nt. Wt.: 3,3 kg / 7,3 lb

Class: Degree of protection IP40, insulation class 1.

Note: Base for Junction Box included.
Also available in E26 with opal white glass only.
220/240V version available on request.

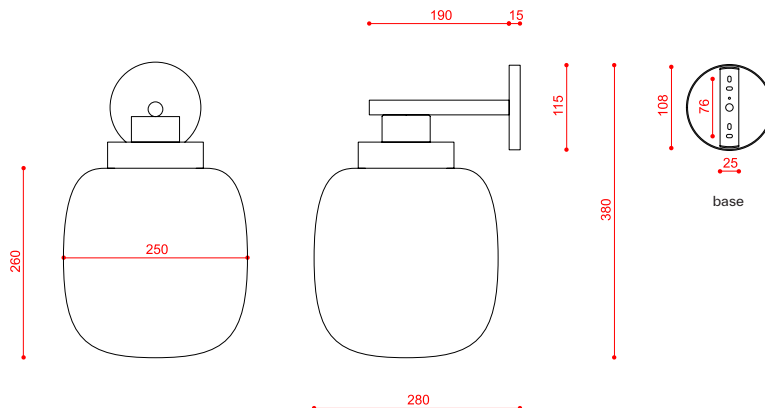


CE IP40

In E26: UL CE IP40

code	voltage	nominal flux	dimmiability	finishes	cable (cm)	dimensions (cm)	LED	USD
557.42	110/120V	1150 lm	phase cut	C74 + C30	/	H 38 x Ø 25	10W 2700K	\$1,499.00
557.42	110/120V	1150 lm	phase cut	C74 + C41	/	H 38 x Ø 25	10W 2700K	\$1,499.00
557.42	110/120V	1150 lm	phase cut	C74 + C99	/	H 38 x Ø 25	10W 2700K	\$1,499.00

Hardware	Ring	Glass	
			C74 Sand black + C30 Light grey + Smoke glass
			C74 Sand black + C41 Brushed brass + Smoke glass
			C74 Sand black + C99 Copper + Smoke glass
			C74 Sand black + C30 Light grey + Opal white glass
			C74 Sand black + C41 Brushed brass + Opal white glass
			C74 Sand black + C99 Copper + Opal white glass



measurements in mm

LEGIER

557.44 Wall

Design: Corrado Dotti

Description: Collection of lamps inspired by the classical shapes of Murano diffusor usually used as decoration anywhere in a house; elegant spherical cruet apparently fragile yet very robust and functional. Versatile, elegant and robust. These lamps give class and sophistication to any location, whether it be sober or lavish.

Materials: metal, glass, brass, aluminum

Mounting: Base: Ø 11,5 cm included with bracket. Glass: available in opal white or smoke. Light source: Integrated LED.

Nt. Wt.: 4,1 kg / 9,1 lb

Class: Degree of protection IP40, insulation class 1.

Note: Base for Junction Box included.
Also available in E26 with opal white glass only.
220/240V version available on request.

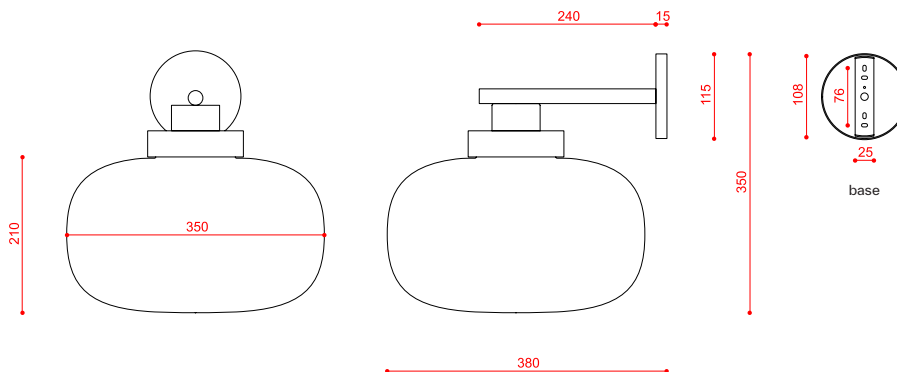


CE IP40

In E26: UL CE IP40

code	voltage	nominal flux	dimmiability	finishes	cable (cm)	dimensions (cm)	LED	USD
557.44	110/120V	1150 lm	phase cut	C74 + C30	/	H 35 x Ø 35	10W 2700K	\$1,749.00
557.44	110/120V	1150 lm	phase cut	C74 + C41	/	H 35 x Ø 35	10W 2700K	\$1,749.00
557.44	110/120V	1150 lm	phase cut	C74 + C99	/	H 35 x Ø 35	10W 2700K	\$1,749.00

Hardware	Ring	Glass	
			C74 Sand black + C30 Light grey + Smoke glass
			C74 Sand black + C41 Brushed brass + Smoke glass
			C74 Sand black + C99 Copper + Smoke glass
			C74 Sand black + C30 Light grey + Opal white glass
			C74 Sand black + C41 Brushed brass + Opal white glass
			C74 Sand black + C99 Copper + Opal white glass



LEGIER

557.72 Ceiling

Design: Corrado Dotti

Description: Collection of lamps inspired by the classical shapes of Murano diffusor usually used as decoration anywhere in a house; elegant spherical cruet apparently fragile yet very robust and functional. Versatile, elegant and robust. These lamps give class and sophistication to any location, whether it be sober or lavish.

Materials: metal, glass, brass, aluminum

Mounting: Base: Ø11,5 cm included with bracket. Glass: available in opal white or smoke. Light source: Integrated LED.

Nt. Wt.: 2,2 kg / 4,9 lb

Class: Degree of protection IP40, insulation class 1.

Note: Base for Junction Box included.
Also available in E26 with opal white glass only.
220/240V version available on request.

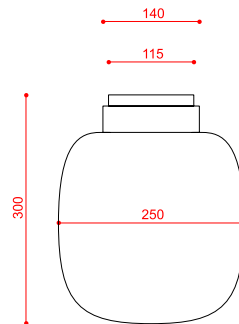


CE IP40

In E26: IP40

code	voltage	nominal flux	dimmiability	finishes	cable (cm)	dimensions (cm)	LED	USD
557.72	110/120V	1150 lm	phase cut	C74 + C30	/	H 30 x Ø 25	10W 2700K	\$1,299.00
557.72	110/120V	1150 lm	phase cut	C74 + C41	/	H 30 x Ø 25	10W 2700K	\$1,299.00
557.72	110/120V	1150 lm	phase cut	C74 + C99	/	H 30 x Ø 25	10W 2700K	\$1,299.00

Hardware	Ring	Glass	
			C74 Sand black + C30 Light grey + Smoke glass
			C74 Sand black + C41 Brushed brass + Smoke glass
			C74 Sand black + C99 Copper + Smoke glass
			C74 Sand black + C30 Light grey + Opal white glass
			C74 Sand black + C41 Brushed brass + Opal white glass
			C74 Sand black + C99 Copper + Opal white glass



measurements in mm

LEGIER

557.74 Ceiling

Design: Corrado Dotti

Description: Collection of lamps inspired by the classical shapes of Murano diffusor usually used as decoration anywhere in a house; elegant spherical cruet apparently fragile yet very robust and functional. Versatile, elegant and robust. These lamps give class and sophistication to any location, whether it be sober or lavish.

Materials: metal, glass, brass, aluminum

Mounting: Base: Ø 11,5 cm included with bracket. Glass: available in opal white or smoke. Light source: Integrated LED.

Nt. Wt.: 3 kg / 6,7 lb

Class: Degree of protection IP40, insulation class 1.

Note: Base for Junction Box included.
Also available in E26 with opal white glass only.
220/240V version available on request.

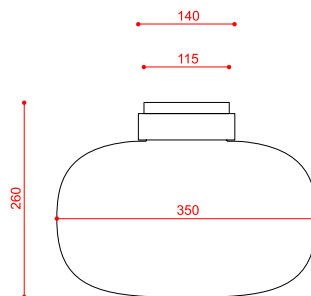


CE IP40

In E26: UL CE IP40

code	voltage	nominal flux	dimmability	finishes	cable (cm)	dimensions (cm)	LED	USD
557.74	110/120V	1150 lm	phase cut	C74 + C30	/	H 26 x Ø 35	10W 2700K	\$1,449.00
557.74	110/120V	1150 lm	phase cut	C74 + C41	/	H 26 x Ø 35	10W 2700K	\$1,449.00
557.74	110/120V	1150 lm	phase cut	C74 + C99	/	H 26 x Ø 35	10W 2700K	\$1,449.00

Hardware	Ring	Glass	
			C74 Sand black + C30 Light grey + Smoke glass
			C74 Sand black + C41 Brushed brass + Smoke glass
			C74 Sand black + C99 Copper + Smoke glass
			C74 Sand black + C30 Light grey + Opal white glass
			C74 Sand black + C41 Brushed brass + Opal white glass
			C74 Sand black + C99 Copper + Opal white glass



measurements in mm

LILLY

558.22 Pendant

Design: Corrado Dotti

Description: Collection of lamps characterized by an oriental taste, reinterpreting the lightness, sobriety and minimalism of Asian design. These lamps have a metal structure painted with epoxy powder and a coated with mesh diffuser. Versatile and elegant, this collection presents different versions: hanging lamps in three different sizes, a wall lamp, table lamp and floor lamp. These objects give any environment a kind of simple elegance through the sophisticated design and materials.

Materials: metal, fabric

Mounting: Pendant: cable length 150 cm. Canopy: Ø 13 cm included with bracket. Light source: E26 bulb.

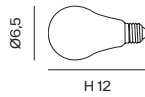
Nt. Wt.: 0,5 kg / 1,1 lb

Class: Degree of protection IP40, insulation class 1.

Note: Custom canopy on request.
220/240V version available on request.
Max dimensions bulb (excluded):



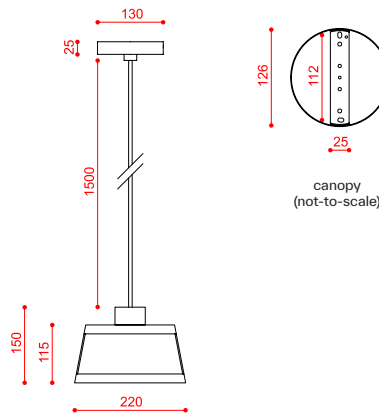
UL CE IP40



code	voltage	nominal flux	dimmability	finishes	cable (cm)	dimensions (cm)	recommended LED bulb	USD
558.22	110/120V	/	according to bulb	C74 + Beige fabric	150	H 15 x Ø 22	1 x E26 max 15W	\$529.00



C74 Sand black + Beige fabric and black net



measurements in mm

LILLY

558.23 Pendant

Design: Corrado Dotti

Description: Collection of lamps characterized by an oriental taste, reinterpreting the lightness, sobriety and minimalism of Asian design. These lamps have a metal structure painted with epoxy powder and a coated with mesh diffusor. Versatile and elegant, this collection presents different versions: hanging lamps in three different sizes, a wall lamp, table lamp and floor lamp. These objects give any environment a kind of simple elegance through the sophisticated design and materials.

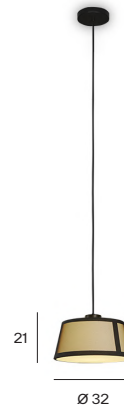
Materials: metal, fabric

Mounting: Pendant: cable length 150 cm. Canopy: Ø 13 cm included with bracket. Light source: E26 bulb.

Nt. Wt.: 0,8 kg / 1,8 lb

Class: Degree of protection IP40, insulation class 1.

Note: Custom canopy on request.
220/240V version available on request.



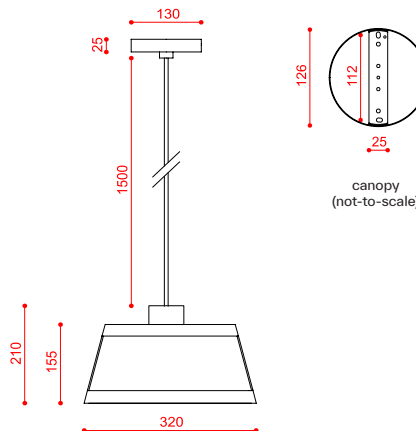
UL CE IP40

code	voltage	nominal flux	dimmability	finishes	cable (cm)	dimensions (cm)	recommended LED bulb	USD
558.23	110/120V	/	according to bulb	C74 + Beige fabric	150	H 21 x Ø 32	1 x E26 max 15W	\$679.00

Hardware Fabric



C74 Sand black + Beige fabric and black net



measurements in mm

LILLY

558.25 Pendant

Design: Corrado Dotti

Description: Collection of lamps characterized by an oriental taste, reinterpreting the lightness, sobriety and minimalism of Asian design. These lamps have a metal structure painted with epoxy powder and a coated with mesh diffusor. Versatile and elegant, this collection presents different versions: hanging lamps in three different sizes, a wall lamp, table lamp and floor lamp. These objects give any environment a kind of simple elegance through the sophisticated design and materials.

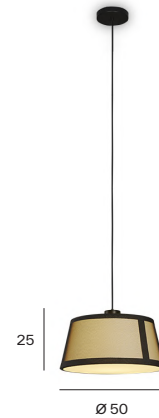
Materials: metal, fabric

Mounting: Pendant: cable length 150 cm. Canopy: Ø 13 cm included with bracket. Light source: E26 bulb.

Nt. Wt.: 1,8 kg / 4 lb

Class: Degree of protection IP40, insulation class 1.

Note: Custom canopy on request.
220/240V version available on request.



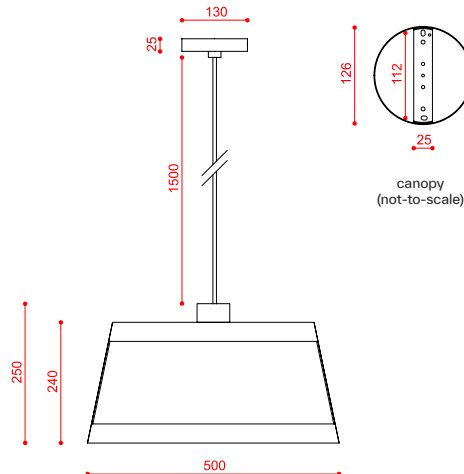
UL CE IP40

code	voltage	nominal flux	dimmiability	finishes	cable (cm)	dimensions (cm)	recommended LED bulb	USD
558.25	110/120V	/	according to bulb	C74 + Beige fabric	150	H 25 x Ø 50	1 x E26 max 15W	\$1,149.00

Hardware Fabric



C74 Sand black + Beige fabric and black net



measurements in mm

LILLY

558.31 Side Table

Picture on page 96 of the catalogue

Design: Corrado Dotti

Description: Collection of lamps characterized by an oriental taste, reinterpreting the lightness, sobriety and minimalism of Asian design. These lamps have a metal structure painted with epoxy powder and a coated with mesh diffusor. Versatile and elegant, this collection presents different versions: hanging lamps in three different sizes, a wall lamp, table lamp and floor lamp. These objects give any environment a kind of simple elegance through the sophisticated design and materials.

Materials: metal, fabric

Mounting: Table: cable length 150 cm. Plug: type A. On/off switch: 50 cm from the base on black fabric cable. Light source: E12 bulb.

Nt. Wt.: 2,5 kg / 5,5 lb

Class: Degree of protection IP20, insulation class 2.

Note: Dimmer version available on request.
220/240V version available on request.
Max dimensions bulb (excluded):



UL CE IP20

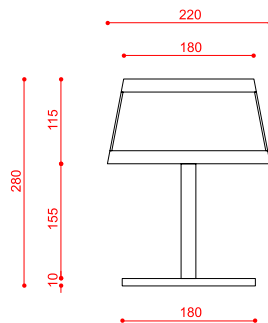


code	voltage	nominal flux	dimmability	finishes	cable (cm)	dimensions (cm)	recommended LED bulb	USD
558.31	110/120V	/	/	C74 + Beige fabric	150	H 28 x Ø 22	1 x E12 max 10W	\$679.00

Hardware Fabric



C74 Sand black + Beige fabric and black net



measurements in mm

LILLY

558.32 Table

Picture on page 95/96 of the catalogue

Design: Corrado Dotti

Description: Collection of lamps characterized by an oriental taste, reinterpreting the lightness, sobriety and minimalism of Asian design. These lamps have a metal structure painted with epoxy powder and a coated with mesh diffuser. Versatile and elegant, this collection presents different versions: hanging lamps in three different sizes, a wall lamp, table lamp and floor lamp. These objects give any environment a kind of simple elegance through the sophisticated design and materials.

Materials: metal, fabric

Mounting: Table: cable length 150 cm. Plug: type A. On/off switch: 50 cm from the base on black fabric cable. Light source: E26 bulb.

Nt. Wt.: 9 kg / 19,8 lb

Class: Degree of protection IP20, insulation class 2.

Note: Dimmer version available on request.
220/240V version available on request.



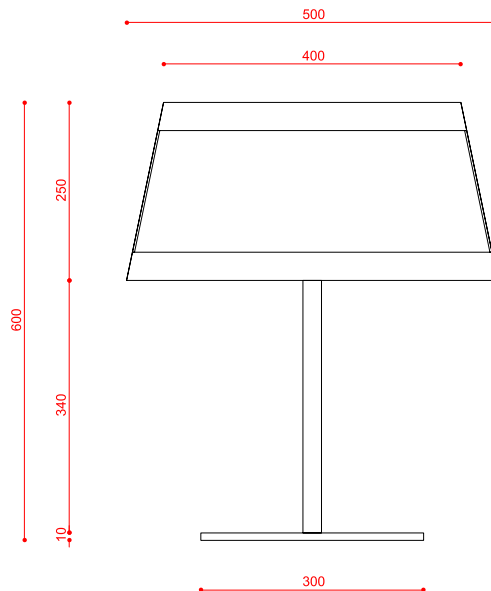
UL CE IP20

code	voltage	nominal flux	dimmability	finishes	cable (cm)	dimensions (cm)	recommended LED bulb	USD
558.32	110/120V	/	/	C74 + Beige fabric	150	H 60 x Ø 50	1 x E26 max 15W	\$1,299.00

Hardware Fabric



C74 Sand black + Beige fabric and black net



measurements in mm

Design: Corrado Dotti

Description: Collection of lamps characterized by an oriental taste, reinterpreting the lightness, sobriety and minimalism of Asian design. These lamps have a metal structure painted with epoxy powder and a coated with mesh diffusor. Versatile and elegant, this collection presents different versions: hanging lamps in three different sizes, a wall lamp, table lamp and floor lamp. These objects give any environment a kind of simple elegance through the sophisticated design and materials.

Materials: metal, fabric

Mounting: Base: Ø 11,5 cm included with bracket. Light source: E26 bulb.

Nt. Wt.: 1 kg / 2,2 lb

Class: Degree of protection IP40, insulation class 1.

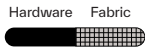
Note: Base for Junction Box included.
 Custom base on request.
 220/240V version available on request.
 Max dimensions bulb (excluded):



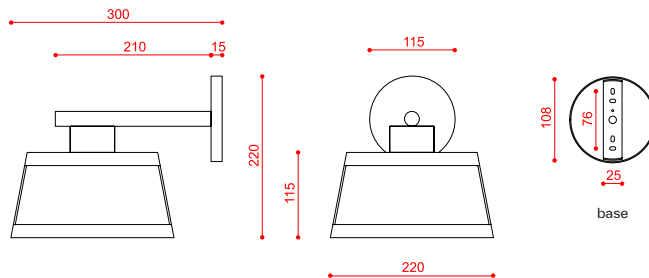
UL CE IP40



code	voltage	nominal flux	dimmability	finishes	cable (cm)	dimensions (cm)	recommended LED bulb	USD
558.42	110/120V	/	according to bulb	C74 + Beige fabric	/	H 22 x Ø 22	1 x E26 max 15W	\$799.00



C74 Sand black + Beige fabric and black net



measurements in mm

LILLY

558.65 Floor

Picture on page 96 of the catalogue

Design: Corrado Dotti

Description: Collection of lamps characterized by an oriental taste, reinterpreting the lightness, sobriety and minimalism of Asian design. These lamps have a metal structure painted with epoxy powder and a coated with mesh diffusor. Versatile and elegant, this collection presents different versions: hanging lamps in three different sizes, a wall lamp, table lamp and floor lamp. These objects give any environment a kind of simple elegance through the sophisticated design and materials.

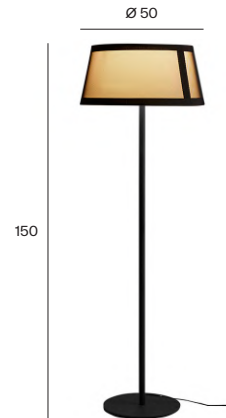
Materials: metal, fabric

Mounting: Floor: cable length 300 cm. Plug: type A. On/off switch: 80 cm from the base on black fabric cable. Light source: E26 bulb.

Nt. Wt.: 10 kg / 22 lb

Class: Degree of protection IP20, insulation class 2.

Note: Dimmer version available on request.
220/240V version available on request.



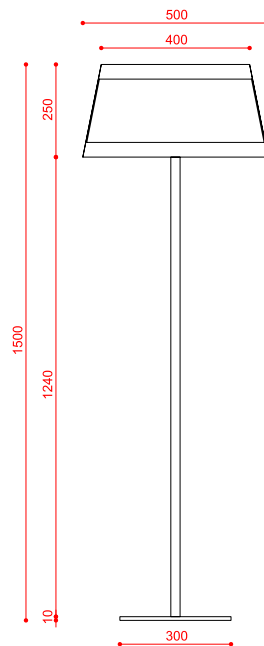
UL CE IP20

code	voltage	nominal flux	dimmability	finishes	cable (cm)	dimensions (cm)	recommended LED bulb	USD
558.65	110/120V	/	/	C74 + Beige fabric	300	H 150 x Ø 50	1 x E26 max 15W	\$1,679.00

Hardware Fabric



C74 Sand black + Beige fabric and black net



measurements in mm

LINFA

565.12 Chandelier

Design: Federico Peri

Description: Inspired and characterized by the natural world, the Linfa family of lamps designed by Federico Peri unfolds on arms so sinuous and elegant as to evoke the veins that run through the leaves, with bright points of light that shine like dew drops. In this family, made up of pendant, floor, table lamps and wall sconces, the refined branches are available in gold, titanium or matt nickel finishes, while the light sources, made of Murano glass, are available in smoky and transparent finishes or milky white.

Materials: metal, aluminum, glass

Mounting: Chandelier: 60/90 cm stems included (adjusted on site). Canopy: Ø 23,5x11,4 cm included with bracket. Light source: Integrated LED. Different glass combinations are available on request.

Nt. Wt.: 10 kg / 22,1 lb

Class: Degree of protection IP40, insulation class 1.

Note: Driver on board.
220/240V version available on request.
DALI version on request.

CE \oplus IP40



code	voltage	nominal flux	dimmiability	finishes	stem included (cm) adj. on site	dimensions (cm)	LED	USD
565.12	110/120V	7000 lm	phase cut	C24 / C70 / C72	60/90	H 53 x L 170	20 x 2.7W 2700K	\$14,055.00

Hardware

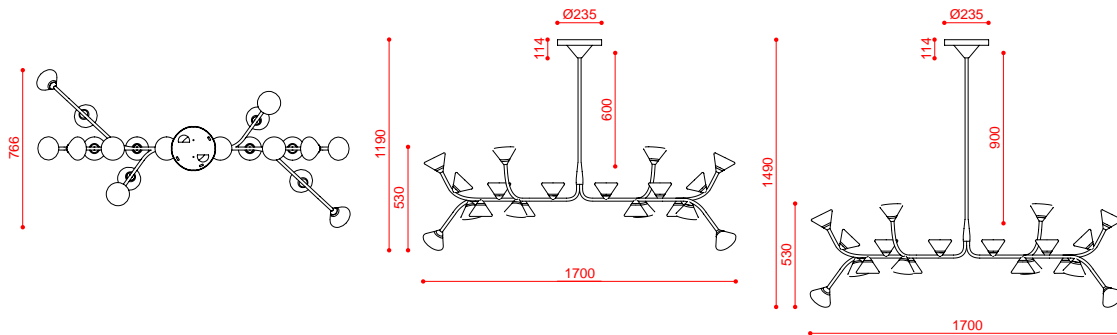
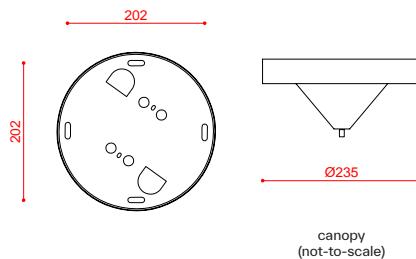
Glass

	6	8	6
	6	8	6
	6	8	6

C24 Hot gold + (Smoke + White + Clear) glass

C70 Titanium + (Smoke + White + Clear) glass

C72 Opaque nickel + (Smoke + White + Clear) glass



measurements in mm

LINFA

565.18 Chandelier

Design: Federico Peri

Description: Inspired and characterized by the natural world, the Linfa family of lamps designed by Federico Peri unfolds on arms so sinuous and elegant as to evoke the veins that run through the leaves, with bright points of light that shine like dew drops. In this family, made up of pendant, floor, table lamps and wall sconces, the refined branches are available in gold, titanium or matt nickel finishes, while the light sources, made of Murano glass, are available in smoky and transparent finishes or milky white.

Materials: metal, aluminum, glass

Mounting: Chandelier: 30/60 cm stems included (adjusted on site). Canopy: Ø 23,5x11,4 cm included with bracket. Light source: Integrated LED. Different glass combinations are available on request.

Nt. Wt.: 10 kg / 22,1 lb

Class: Degree of protection IP40, insulation class 1.

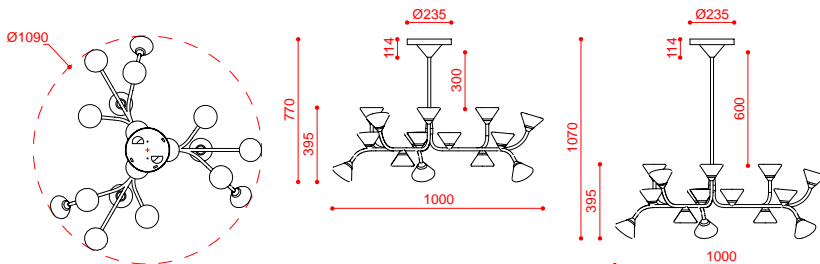
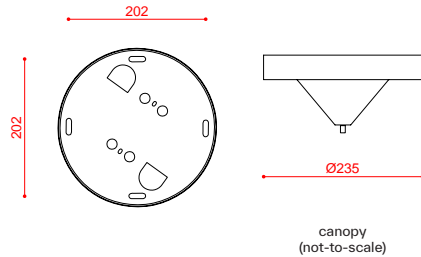
Note: Driver on board.
220/240V version available on request.
DALI version on request.



CE Ⓜ IP40

code	voltage	nominal flux	dimmability	finishes	stem included (cm) adj. on site	dimensions (cm)	LED	USD
565.18	110/120V	6300 lm	phase cut	C24 / C70 / C72	30/60	H 53 x L 100	18 x 2.7W 2700K	\$9,785.00

Hardware	Glass			
	6	6	6	C24 Hot gold + (Smoke + White + Clear) glass
	6	6	6	C70 Titanium + (Smoke + White + Clear) glass
	6	6	6	C72 Opaque nickel + (Smoke + White + Clear) glass



measurements in mm

LINFA

565.13 Chandelier

Picture on page 102/105/108/111 of the catalogue

Design: Federico Peri

Description: Inspired and characterized by the natural world, the Linfa family of lamps designed by Federico Peri unfolds on arms so sinuous and elegant as to evoke the veins that run through the leaves, with bright points of light that shine like dew drops. In this family, made up of pendant, floor, table lamps and wall sconces, the refined branches are available in gold, titanium or matt nickel finishes, while the light sources, made of Murano glass, are available in smoky and transparent finishes or milky white.

Materials: metal, aluminum, glass

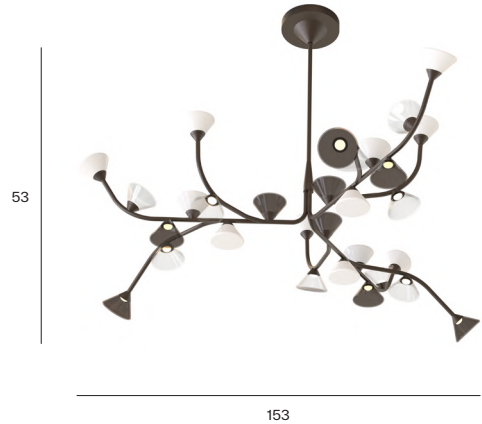
Mounting: Chandelier: 60/90 cm stems included (adjusted on site). Canopy: Ø 23,5x11,4 cm included with bracket. Light source: Integrated LED. Different glass combinations are available on request.

Nt. Wt.: 15 kg / 33,1 lb

Class: Degree of protection IP40, insulation class 1.

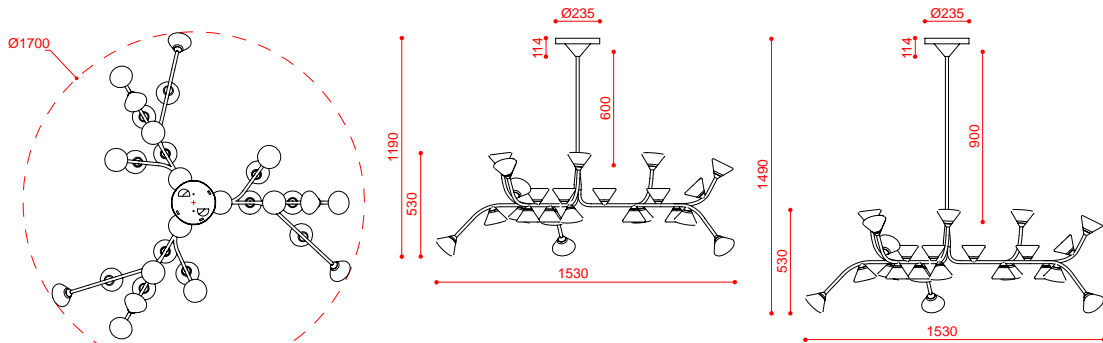
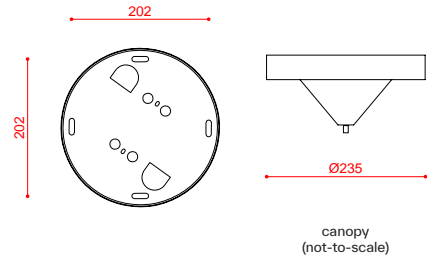
Note: Driver on board.
220/240V version available on request.
DALI version on request.

CE \oplus IP40



code	voltage	nominal flux	dimmiability	finishes	stem included (cm) adj. on site	dimensions (cm)	recommended LED bulb	USD
565.13	110/120V	10500 lm	phase cut	C24 / C70 / C72	60/90	H 53 x L 153	30 x 2.7W 2700K	\$19,550.00

Hardware	Glass			
	9	12	9	C24 Hot gold + (Smoke + White + Clear) glass
	9	12	9	C70 Titanium + (Smoke + White + Clear) glass
	9	12	9	C72 Opaque nickel + (Smoke + White + Clear) glass



measurements in mm

LINFA

565.15 Chandelier

Design: Federico Peri

Description: Inspired and characterized by the natural world, the Linfa family of lamps designed by Federico Peri unfolds on arms so sinuous and elegant as to evoke the veins that run through the leaves, with bright points of light that shine like dew drops. In this family, made up of pendant, floor, table lamps and wall sconces, the refined branches are available in gold, titanium or matt nickel finishes, while the light sources, made of Murano glass, are available in smoky and transparent finishes or milky white.

Materials: metal, aluminum, glass

Mounting: Chandelier: 60/90 cm stems included (adjusted on site). Canopy: Ø 23,5x11,4 cm included with bracket. Light source: Integrated LED. Different glass combinations are available on request.

Nt. Wt.: 25 kg / 55,2 lb

Class: Degree of protection IP40, insulation class 1.

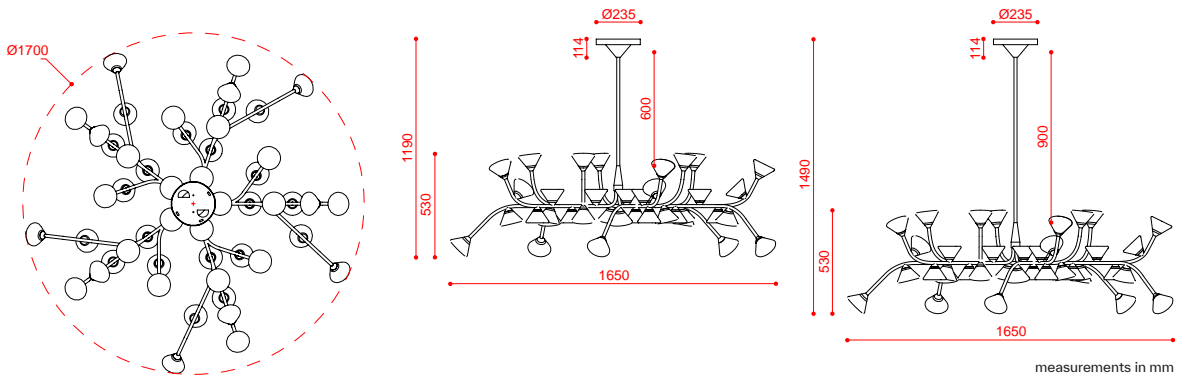
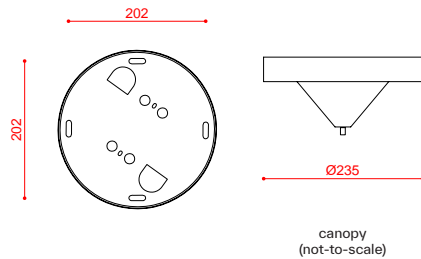
Note: Driver on board.
220/240V version available on request.
DALI version on request.

CE Ⓜ IP40



code	voltage	nominal flux	dimmability	finishes	stem included (cm) adj. on site	dimensions (cm)	recommended LED bulb	USD
565.15	110/120V	17500 lm	phase cut	C24 / C70 / C72	60/90	H 53 x L 165	50 x 2.7W 2700K	\$33,500.00

Hardware	Glass			
	15	20	15	C24 Hot gold + (Smoke + White + Clear) glass
	15	20	15	C70 Titanium + (Smoke + White + Clear) glass
	15	20	15	C72 Opaque nickel + (Smoke + White + Clear) glass



LINFA

565.21 Pendant

Design: Federico Peri

Description: Inspired and characterized by the natural world, the Linfa family of lamps designed by Federico Peri unfolds on arms so sinuous and elegant as to evoke the veins that run through the leaves, with bright points of light that shine like dew drops. In this family, made up of pendant, floor, table lamps and wall sconces, the refined branches are available in gold, titanium or matt nickel finishes, while the light sources, made of Murano glass, are available in smoky and transparent finishes or milky white.

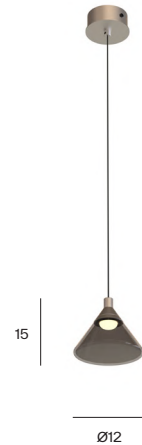
Materials: metal, aluminum, glass

Mounting: Canopy: Ø 8x4 cm included with bracket. Light source: integrated LED.

Nt. Wt.: 0.95 kg / 2,1 lb

Class: Degree of protection IP40, insulation class 1.

Note: Canopy for Junction Box included.
Driver on board.
220/240V version available on request.
DALI version on request.

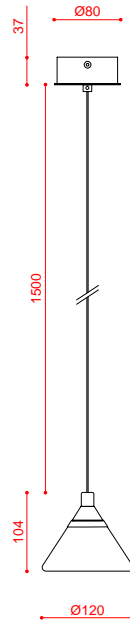
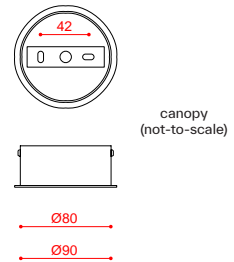


CE \oplus IP40

code	voltage	nominal flux	dimmiability	finishes	cable (cm)	dimensions (cm)	LED	USD
565.21	110/120V	350 lm	phase cut	C24 / C70 / C72	150	H 15 x Ø12	2.7W 2700K	\$755.00

Hardware Glass

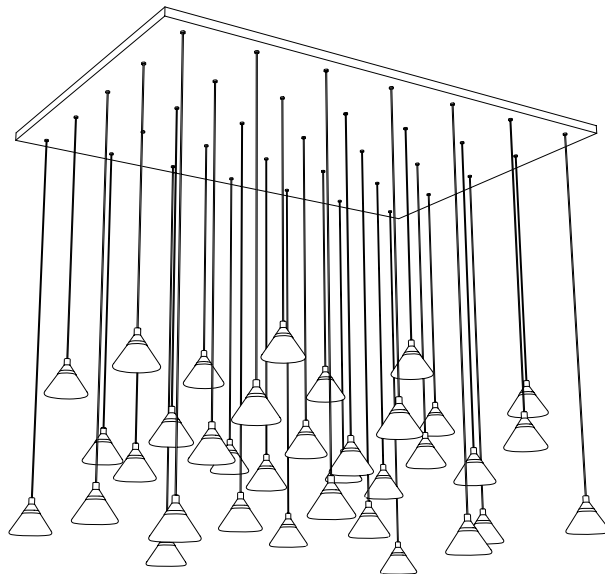
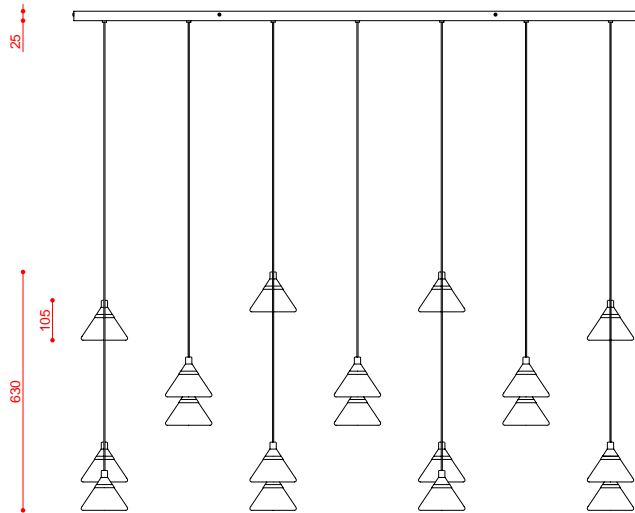
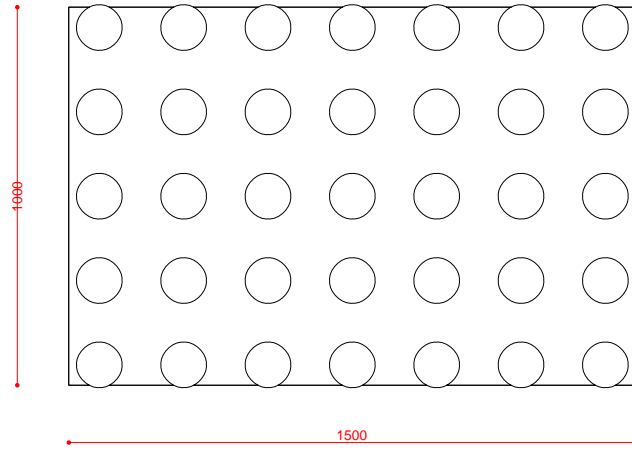
	1	C24 Hot gold + Clear glass
	1	C24 Hot gold + White glass
	1	C24 Hot gold + Smoke glass
	1	C70 Titanium + Clear glass
	1	C70 Titanium + White glass
	1	C70 Titanium + Smoke glass
	1	C72 Opaque nickel + Clear glass
	1	C72 Opaque nickel + White glass
	1	C72 Opaque nickel + Smoke glass



measurements in mm

Suggested application

LINFA Cluster



LINFA

565.22s Pendant

Picture on page 116 of the catalogue

Design: Federico Peri

Description: Inspired and characterized by the natural world, the Linfa family of lamps designed by Federico Peri unfolds on arms so sinuous and elegant as to evoke the veins that run through the leaves, with bright points of light that shine like dew drops. In this family, made up of pendant, floor, table lamps and wall sconces, the refined branches are available in gold, titanium or matt nickel finishes, while the light sources, made of Murano glass, are available in smoky and transparent finishes or milky white.

Materials: metal, aluminum, glass

Mounting: Steel cable length 125 cm. Electric cable length 150cm. Canopy: Ø20,5x9,2cm included with bracket. Light source: Integrated LED. Different glass combinations are available on request.

Nt. Wt.: 3 kg / 6,7 lb

Class: Degree of protection IP40, insulation class 1.

Note: Driver on board.
220/240V version available on request.
DALI version on request.
Counterweight available on request (on page 206).



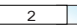
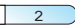

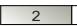
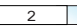
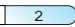

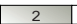
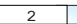
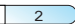


CE IP40

code	voltage	nominal flux	dimmability	finishes	cable (cm)	dimensions (cm)	LED	USD
565.22s	110/120V	2100 lm	phase cut	C24 / C70 / C72	125	H80 x L 43 x W 45	6 x 2.7W 2700K	\$4,995.00

Hardware

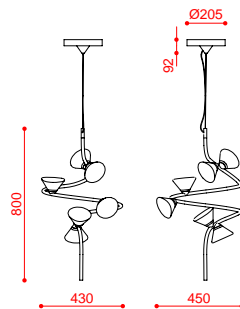
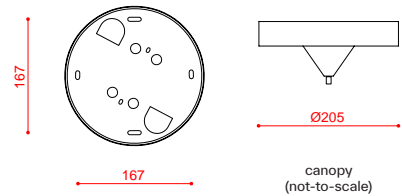
Glass

			
2	2	2	2
			
2	2	2	2
			
2	2	2	2

C24 Hot gold + (Smoke + White + Clear) glass

C70 Titanium + (Smoke + White + Clear) glass

C72 Opaque nickel + (Smoke + White + Clear) glass



measurements in mm

LINFA

565.22m Pendant

Picture on page 99/100 of the catalogue

Design: Federico Peri

Description: Inspired and characterized by the natural world, the Linfa family of lamps designed by Federico Peri unfolds on arms so sinuous and elegant as to evoke the veins that run through the leaves, with bright points of light that shine like dew drops. In this family, made up of pendant, floor, table lamps and wall sconces, the refined branches are available in gold, titanium or matt nickel finishes, while the light sources, made of Murano glass, are available in smoky and transparent finishes or milky white.

Materials: metal, aluminum, glass

Mounting: Steel cable length 125 cm. Electric cable length 150cm. Canopy: Ø20,5x9,2cm included with bracket. Light source: Integrated LED. Different glass combinations are available on request.

Nt. Wt.: 4,5 kg / 10 lb

Class: Degree of protection IP40, insulation class 1.

Note: Driver on board.
220/240V version available on request.
DALI version on request.
Counterweight available on request (on page 206).



CE Ⓢ IP40

code	voltage	nominal flux	dimmability	finishes	cable (cm)	dimensions (cm)	LED	USD
565.22m	110/120V	3500 lm	phase cut	C24 / C70 / C72	125	H111 x L 49 x W 56	10 x 2.7W 2700K	\$7,265.00

Hardware

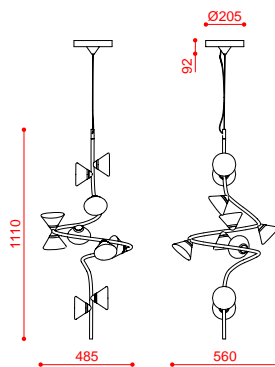
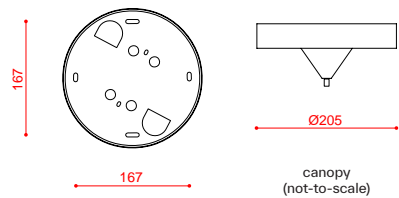
Glass

Hardware	Glass	Glass	Glass
	3	4	3
	3	4	3
	3	4	3

C24 Hot gold + (Smoke + White + Clear) glass

C70 Titanium + (Smoke + White + Clear) glass

C72 Opaque nickel + (Smoke + White + Clear) glass



measurements in mm

LINFA

565.22b Pendant

Picture on page 99/101/115 of the catalogue

Design: Federico Peri

Description: Inspired and characterized by the natural world, the Linfa family of lamps designed by Federico Peri unfolds on arms so sinuous and elegant as to evoke the veins that run through the leaves, with bright points of light that shine like dew drops. In this family, made up of pendant, floor, table lamps and wall sconces, the refined branches are available in gold, titanium or matt nickel finishes, while the light sources, made of Murano glass, are available in smoky and transparent finishes or milky white.

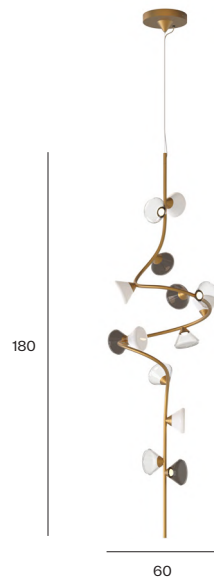
Materials: metal, aluminum, glass

Mounting: Steel cable length 125 cm. Electric cable length 150cm. Canopy: Ø20,5x9,2cm included with bracket. Light source: Integrated LED. Different glass combinations are available on request

Nt. Wt.: 6 kg / 13,3 lb

Class: Degree of protection IP40, insulation class 1.

Note: Driver on board.
220/240V version available on request.
DALI version on request.
Counterweight available on request (on page 206).






CE IP40

code	voltage	nominal flux	dimmiability	finishes	cable (cm)	dimensions (cm)	LED	USD
565.22b	110/120V	4900 lm	phase cut	C24 / C70 / C72	125	H180 x L 60 x W 50	14 x 2.7W 2700K	\$9,785.00

Hardware

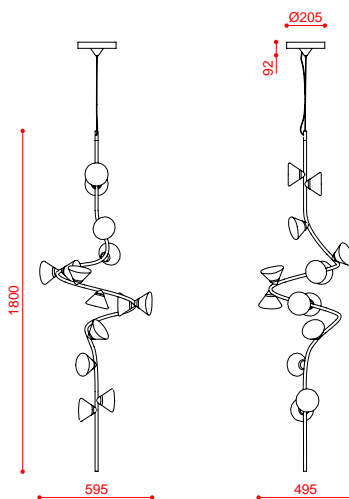
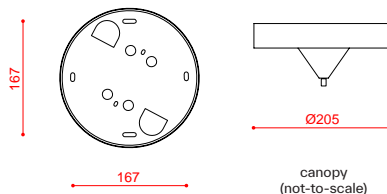
Glass

Hardware	Glass		
	4	5	5
	4	5	5
	4	5	5

C24 Hot gold + (Smoke + White + Clear) glass

C70 Titanium + (Smoke + White + Clear) glass

C72 Opaque nickel + (Smoke + White + Clear) glass



measurements in mm

LINFA

565.23s Pendant

Design: Federico Peri

Description: Inspired and characterized by the natural world, the Linfa family of lamps designed by Federico Peri unfolds on arms so sinuous and elegant as to evoke the veins that run through the leaves, with bright points of light that shine like dew drops. In this family, made up of pendant, floor, table lamps and wall sconces, the refined branches are available in gold, titanium or matt nickel finishes, while the light sources, made of Murano glass, are available in smoky and transparent finishes or milky white.

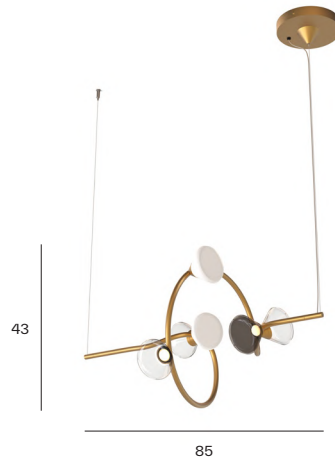
Materials: metal, aluminum, glass

Mounting: Steel cable length 125 cm. Electric cable length 150cm. Canopy: Ø20,5x9,2cm included with bracket. Light source: Integrated LED. Different glass combinations are available on request.

Nt. Wt.: 3 kg / 6,7 lb

Class: Degree of protection IP40, insulation class 1.

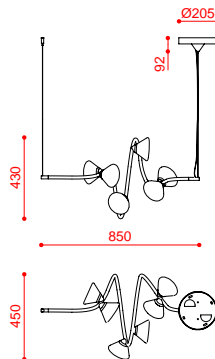
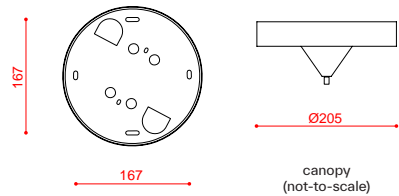
Note: Driver on board.
220/240V version available on request.
DALI version on request.



CE Ⓜ IP40

code	voltage	nominal flux	dimmiability	finishes	cable (cm)	dimensions (cm)	LED	USD
565.23s	110/120V	2100 lm	phase cut	C24 / C70 / C72	125	H43 x L 85 x W 45	6 x 2.7W 2700K	\$4,995.00

Hardware	Glass			
				C24 Hot gold + (Smoke + White + Clear) glass
				C70 Titanium + (Smoke + White + Clear) glass
				C72 Opaque nickel + (Smoke + White + Clear) glass



measurements in mm

LINFA

565.23m Pendant

Picture on page 112/114 of the catalogue

Design: Federico Peri

Description: Inspired and characterized by the natural world, the Linfa family of lamps designed by Federico Peri unfolds on arms so sinuous and elegant as to evoke the veins that run through the leaves, with bright points of light that shine like dew drops. In this family, made up of pendant, floor, table lamps and wall sconces, the refined branches are available in gold, titanium or matt nickel finishes, while the light sources, made of Murano glass, are available in smoky and transparent finishes or milky white.

Materials: metal, aluminum, glass

Mounting: Steel cable length 125 cm. Electric cable length 150cm. Canopy: Ø20,5x9,2cm included with bracket. Light source: Integrated LED. Different glass combinations are available on request.

Nt. Wt.: 4,5 kg / 10 lb




Class: Degree of protection IP40, insulation class 1.

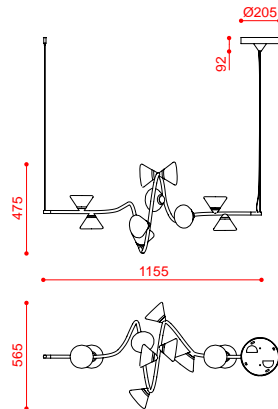
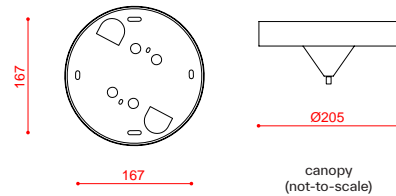
Note: Driver on board.
220/240V version available on request.
DALI version on request.

CE  IP40



code	voltage	nominal flux	dimmiability	finishes	cable (cm)	dimensions (cm)	LED	USD
565.23m	110/120V	3500 lm	phase cut	C24 / C70 / C72	125	H 48 x L 120 x W 57	10 x 2.7W 2700K	\$7,395.00

Hardware	Glass			
	3	4	3	C24 Hot gold + (Smoke + White + Clear) glass
	3	4	3	C70 Titanium + (Smoke + White + Clear) glass
	3	4	3	C72 Opaque nickel + (Smoke + White + Clear) glass



measurements in mm

LINFA

565.23b Pendant

Picture on page 112/114 of the catalogue

Design: Federico Peri

Description: Inspired and characterized by the natural world, the Linfa family of lamps designed by Federico Peri unfolds on arms so sinuous and elegant as to evoke the veins that run through the leaves, with bright points of light that shine like dew drops. In this family, made up of pendant, floor, table lamps and wall sconces, the refined branches are available in gold, titanium or matt nickel finishes, while the light sources, made of Murano glass, are available in smoky and transparent finishes or milky white.

Materials: metal, aluminum, glass

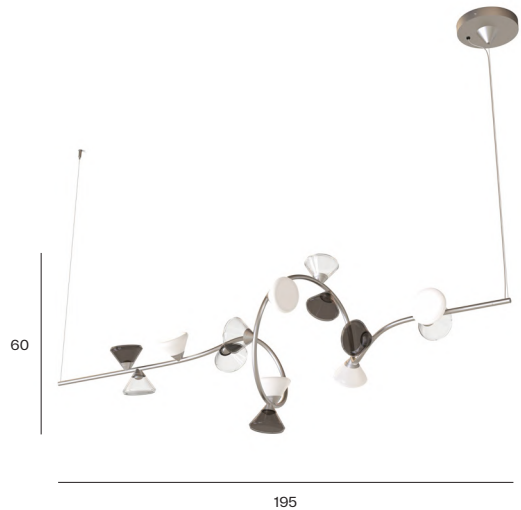
Mounting: Steel cable length 125 cm. Electric cable length 150cm. Canopy: Ø20,5x9,2cm included with bracket. Light source: Integrated LED. Different glass combinations are available on request.

Nt. Wt.: 6 kg / 13,3 lb

Class: Degree of protection IP40, insulation class 1.

Note: Driver on board.
220/240V version available on request.
DALI version on request.




CE Ⓜ IP40



code	voltage	nominal flux	dimmability	finishes	cable (cm)	dimensions (cm)	LED	USD
565.23b	110/120V	4900 lm	phase cut	C24 / C70 / C72	125	H 60 x L 195 x W 50	14 x 2.7W 2700K	\$10,265.00

Hardware

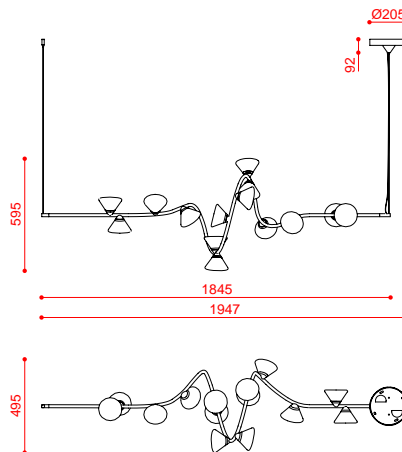
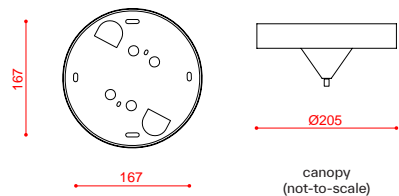
Glass

	4	5	5
	4	5	5
	4	5	5

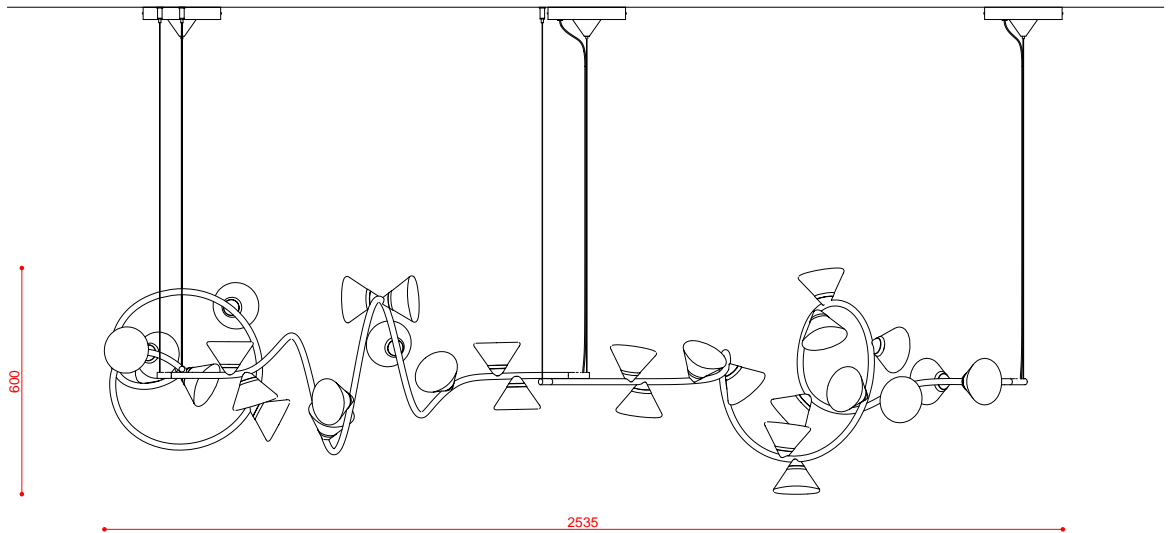
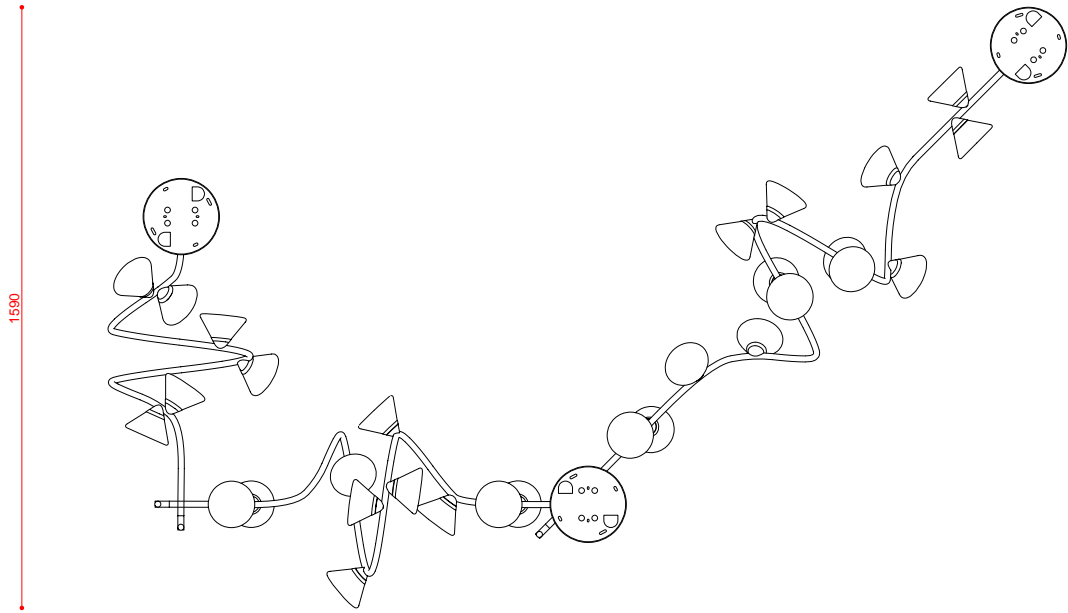
C24 Hot gold + (Smoke + White + Clear) glass

C70 Titanium + (Smoke + White + Clear) glass

C72 Opaque nickel + (Smoke + White + Clear) glass



measurements in mm



LINFA

565.32 Table

Design: Federico Peri

Description: Inspired and characterized by the natural world, the Linfa family of lamps designed by Federico Peri unfolds on arms so sinuous and elegant as to evoke the veins that run through the leaves, with bright points of light that shine like dew drops. In this family, made up of pendant, floor, table lamps and wall sconces, the refined branches are available in gold, titanium or matt nickel finishes, while the light sources, made of Murano glass, are available in smoky and transparent finishes or milky white.

Materials: metal, aluminum, glass

Mounting: Table: cable length 150 cm. Plug: type A, G, C. Switch on: touch dimmer on the structure. Light source: Integrated LED. Different glass combinations are available on request.

Nt. Wt.: 2 kg / 4,4 lb










Class: Degree of protection IP40, insulation class 2.

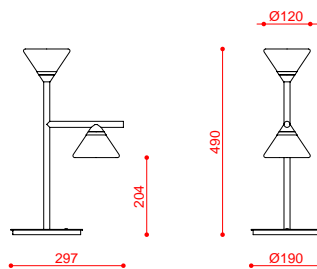
Note: Touch dimmer on board.
220/240V version available on request.

CE  IP40



code	voltage	nominal flux	dimmiability	finishes	cable (cm)	dimensions (cm)	LED	USD
565.32	110/120V	700 lm	phase cut	C24 / C70 / C72	150	H 49 x L 30	2 x 2.7W 2700K	\$1,600.00

Hardware	Glass	
	 	C24 Hot gold + (White + Clear) glass
	 	C70 Titanium + (Smoke + Clear) glass
	 	C72 Opaque nickel + (Smoke + White) glass



measurements in mm

LINFA

565.41 Wall/Ceiling

Design: Federico Peri

Description: Inspired and characterized by the natural world, the Linfa family of lamps designed by Federico Peri unfolds on arms so sinuous and elegant as to evoke the veins that run through the leaves, with bright points of light that shine like dew drops. In this family, made up of pendant, floor, table lamps and wall sconces, the refined branches are available in gold, titanium or matt nickel finishes, while the light sources, made of Murano glass, are available in smoky and transparent finishes or milky white.

Materials: metal, aluminum, glass

Mounting: Base: Ø8 cm included with bracket. Light source: Integrated LED.

Nt. Wt.: 0.95 kg / 2,1 lb

Class: Degree of protection IP40, insulation class 1.




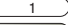

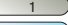

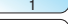



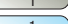

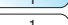

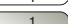


Note: Base for Junction Box included.
Driver on board.
Recessed base available on request.
220/240V version available on request.

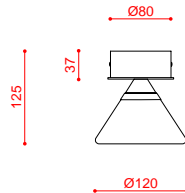
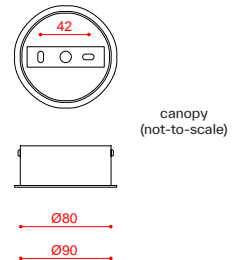
CE \oplus IP40



code	voltage	nominal flux	dimmiability	finishes	cable (cm)	dimensions (cm)	LED	USD
565.41	110/120V	350 lm	phase cut	C24 / C70 / C72	/	H 13 x Ø12	2.7W 2700K	\$585.00

Hardware Glass

		C24 Hot gold + Clear glass
		C24 Hot gold + White glass
		C24 Hot gold + Smoke glass
		C70 Titanium + Clear glass
		C70 Titanium + White glass
		C70 Titanium + Smoke glass
		C72 Opaque nickel + Clear glass
		C72 Opaque nickel + White glass
		C72 Opaque nickel + Smoke glass



measurements in mm

LINFA

565.43 Wall/Ceiling

Picture on page 109 of the catalogue

Design: Federico Peri

Description: Inspired and characterized by the natural world, the Linfa family of lamps designed by Federico Peri unfolds on arms so sinuous and elegant as to evoke the veins that run through the leaves, with bright points of light that shine like dew drops. In this family, made up of pendant, floor, table lamps and wall sconces, the refined branches are available in gold, titanium or matt nickel finishes, while the light sources, made of Murano glass, are available in smoky and transparent finishes or milky white.

Materials: metal, aluminum, glass

Mounting: Base: Ø 13 cm included with bracket. Light source: Integrated LED. Different glass combinations are available on request.

Nt. Wt.: 1.6 kg / 3,6 lb

Class: Degree of protection IP40, insulation class 1.

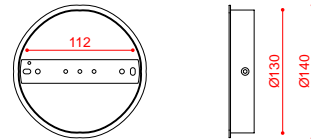
Note: Driver on board.
220/240V version available on request.
DALI version on request.

CE IP40

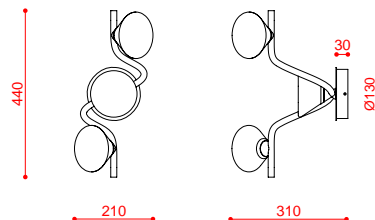


code	voltage	nominal flux	dimmiability	finishes	cable (cm)	dimensions (cm)	LED	USD
565.43	110/120V	1050 lm	phase cut	C24 / C70 / C72	/	H44 x L 21 x W 31	3 x 2.7W 2700K	\$2,265.00

Hardware	Glass			
				C24 Hot gold + (Smoke + White + Clear) glass
				C70 Titanium + (Smoke + White + Clear) glass
				C72 Opaque nickel + (Smoke + White + Clear) glass



base
(not-to-scale)



measurements in mm

LINFA

565.45 Wall/Ceiling

Picture on page 106/107 of the catalogue

Design: Federico Peri

Description: Inspired and characterized by the natural world, the Linfa family of lamps designed by Federico Peri unfolds on arms so sinuous and elegant as to evoke the veins that run through the leaves, with bright points of light that shine like dew drops. In this family, made up of pendant, floor, table lamps and wall sconces, the refined branches are available in gold, titanium or matt nickel finishes, while the light sources, made of Murano glass, are available in smoky and transparent finishes or milky white.

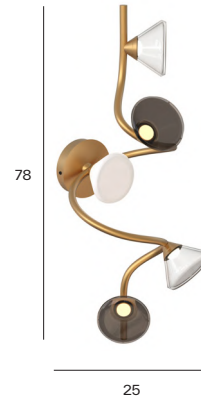
Materials: metal, aluminum, glass

Mounting: Base: Ø 13 cm included with bracket. Light source: Integrated LED.

Nt. Wt.: 2.5 kg / 5,6 lb

Class: Degree of protection IP40, insulation class 1.

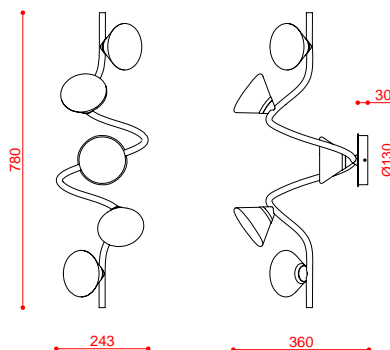
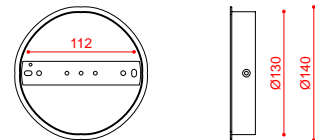
Note: Driver on board.
220/240V version available on request.
DALI version on request.



CE IP40

code	voltage	nominal flux	dimmiability	finishes	cable (cm)	dimensions (cm)	LED	USD
565.45	110/120V	1750 lm	phase cut	C24 / C70 / C72	/	H78 x L 25 x W 36	5 x 2.7W 2700K	\$3,275.00

Hardware	Glass			
	2	1	2	C24 Hot gold + (Smoke + White + Clear) glass
	2	1	2	C70 Titanium + (Smoke + White + Clear) glass
	2	1	2	C72 Opaque nickel + (Smoke + White + Clear) glass



measurements in mm

LINFA

565.65 Floor

Design: Federico Peri

Description: Inspired and characterized by the natural world, the Linfa family of lamps designed by Federico Peri unfolds on arms so sinuous and elegant as to evoke the veins that run through the leaves, with bright points of light that shine like dew drops. In this family, made up of pendant, floor, table lamps and wall sconces, the refined branches are available in gold, titanium or matt nickel finishes, while the light sources, made of Murano glass, are available in smoky and transparent finishes or milky white.

Materials: metal, aluminum, glass

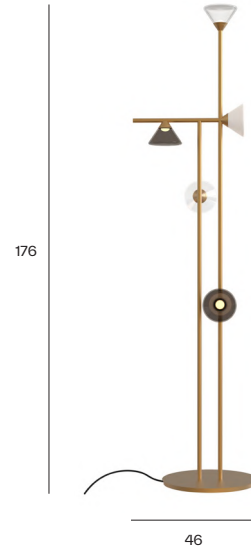
Mounting: Floor: cable length 300 cm. Plug: type A, G, C. Dimmer: 80 cm from the base on black cable. Light source: Integrated LED. Different glass combinations are available on request.

Nt. Wt.: 9 kg / 18,9 lb

Class: Degree of protection IP40, insulation class 2.

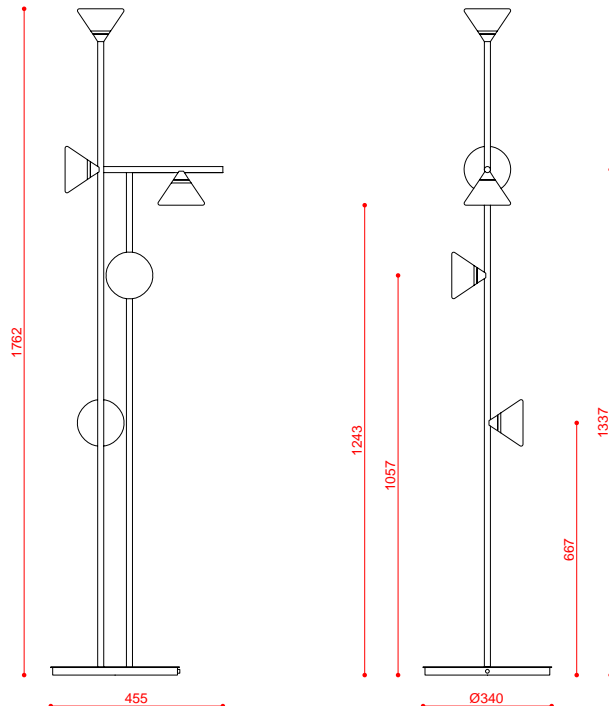
Note: 220/240V version available on request.

CE IP40



code	voltage	nominal flux	dimmiability	finishes	cable (cm)	dimensions (cm)	LED	USD
565.65	110/120V	1750 lm	phase cut	C24 / C70 / C72	300	H 176 x L 46	5 x 2.7W 2700K	\$4,575.00

Hardware	Glass			
	2	1	2	C24 Hot gold + (Smoke + White + Clear) glass
	2	1	2	C70 Titanium + (Smoke + White + Clear) glass
	2	1	2	C72 Opaque nickel + (Smoke + White + Clear) glass



measurements in mm

MACAO

551.32 Table

Picture on page 34/122 of the catalogue

Design: Corrado Dotti

Description: Collection of lamps revisiting traditional Japanese lanterns, characterized by a minimal and elegant style. The structure is made by metal painted with epoxy powders, with white or black mesh lampshades. Lightness, minimalism and essentiality are the main traits of this collection.

Materials: metal, fabric

Mounting: Table: cable length 150 cm. Plug: type A. On/off switch: 50 cm from the base on black fabric cable. Light source: E26 Bulb.

Nt. Wt.: 3,3 kg / 7,3 lb

Class: Degree of protection IP20, insulation class 2.

Note: 220/240V version available on request.
Dimmer version available on request.



UL CE IP20

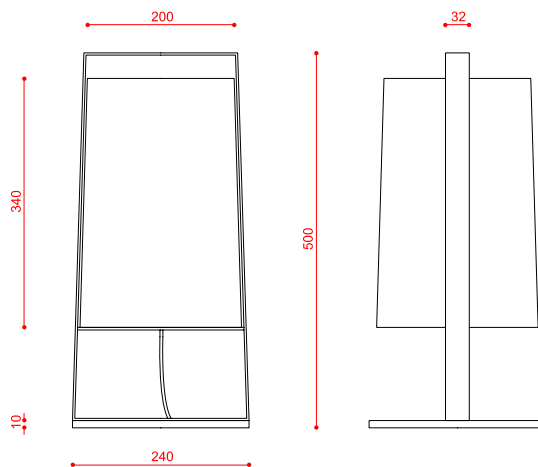
code	voltage	nominal flux	dimmability	finishes	cable (cm)	dimensions (cm)	recommended LED bulb	USD
551.32	110/120V	/	/	C74 + White fabric	150	H 50 x Ø 24	1 x E26 max 15W	\$949.00
551.32	110/120V	/	/	C74 + Beige fabric/black net	150	H 50 x Ø 24	1 x E26 max 15W	\$949.00

Hardware Fabric



C74 Sand black + White fabric

C74 Sand black + Beige fabric and black net



measurements in mm

MACAO

551.44 Wall

Picture on page 119 of the catalogue

Design: Corrado Dotti

Description: Collection of lamps revisiting traditional Japanese lanterns, characterized by a minimal and elegant style. The structure is made by metal painted with epoxy powders, with white or black mesh lampshades. Lightness, minimalism and essentiality are the main traits of this collection.

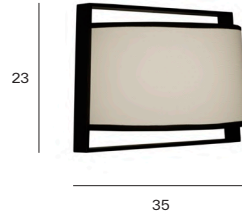
Materials: metal, fabric, aluminum

Mounting: Lampshade application with magnet. Light source: E26 Bulb.

Nt. Wt.: 2,5 kg / 5,5 lb

Class: Degree of protection IP40, insulation class 1.

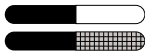
Note: 220/240V version available on request.



UL CE IP40

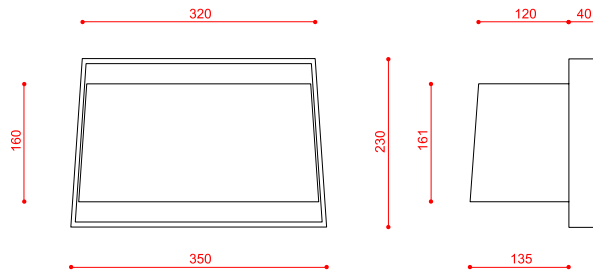
code	voltage	nominal flux	dimmability	finishes	cable (cm)	dimensions (cm)	recommended LED bulb	USD
551.44	110/120V	/	according to bulb	C74 + White fabric	/	H 23 x L 35	1 x E26 max 15W	\$849.00
551.44	110/120V	/	according to bulb	C74 + Beige fabric/black net	/	H 23 x L 35	1 x E26 max 15W	\$849.00

Hardware Fabric



C74 Sand black + White fabric

C74 Sand black + Beige fabric and black net



measurements in mm

MACAO

551.64 Floor

Picture on page 120/121 of the catalogue

Design: Corrado Dotti

Description: Collection of lamps revisiting traditional Japanese lanterns, characterized by a minimal and elegant style. The structure is made by metal painted with epoxy powders, with white or black mesh lampshades. Lightness, minimalism and essentiality are the main traits of this collection.

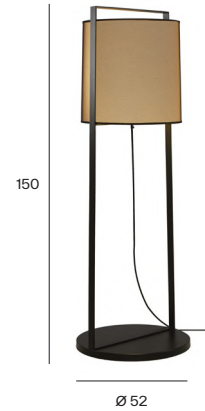
Materials: metal, fabric

Mounting: Floor: cable length 300 cm. Plug: type A. On/off switch: 80 cm from the base on black fabric cable. Light source: E26 Bulb.

Nt. Wt.: 18 kg / 39,7 lb

Class: Degree of protection IP20, insulation class 2.

Note: 220/240V version available on request.
Dimmer version available on request.



UL CE IP20

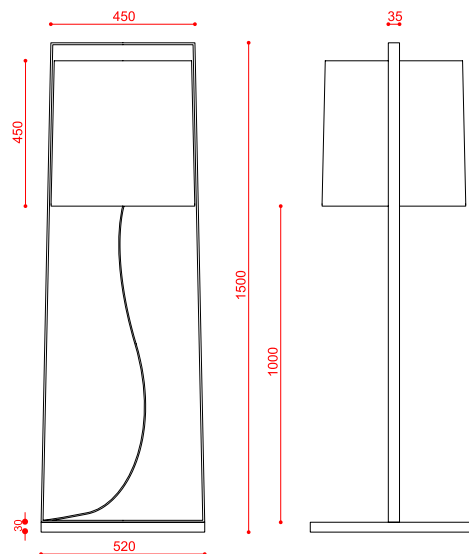
code	voltage	nominal flux	dimmability	finishes	cable (cm)	dimensions (cm)	recommended LED bulb	USD
551.64	110/120V	/	/	C74 + White fabric	300	H 150 x Ø 52	1 x E26 max 20W	\$2,319.00
551.64	110/120V	/	/	C74 + Beige fabric/black net	300	H 150 x Ø 52	1 x E26 max 20W	\$2,319.00

Hardware Fabric



C74 Sand black + White fabric

C74 Sand black + Beige fabric and black net



measurements in mm

MACAO

551.65 Floor

Design: Corrado Dotti

Description: Collection of lamps revisiting traditional Japanese lanterns, characterized by a minimal and elegant style. The structure is made by metal painted with epoxy powders, with white or black mesh lampshades. Lightness, minimalism and essentiality are the main traits of this collection.

Materials: metal, fabric

Mounting: Floor: cable length 300 cm. Plug: type A. On/off switch: 80 cm from the base on black fabric cable. Light source: E26 Bulb.

Nt. Wt.: 13 kg / 28,7 lb

Class: Degree of protection IP20, insulation class 2.

Note: 220/240V version available on request.
Dimmer version available on request.



UL CE IP20

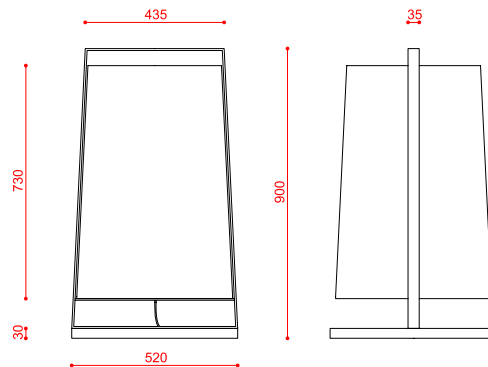
code	voltage	nominal flux	dimmability	finishes	cable (cm)	dimensions (cm)	recommended LED bulb	USD
551.65	110/120V	/	/	C74 + White fabric	300	H 90 x Ø 52	1 x E26 max 20W	\$2,499.00
551.65	110/120V	/	/	C74 + Beige fabric/black net	300	H 90 x Ø 52	1 x E26 max 20W	\$2,499.00

Hardware Fabric



C74 Sand black + White fabric

C74 Sand black + Beige fabric and black net



measurements in mm

MOLLY

556.14 Chandelier

Design: Corrado Dotti

Description: Collection of contemporary hanging lamps, with a painted dome and ring either painted or finished with brushed brass, copper or pewter. The bright diamond screen is made of plexiglass to better spread light out. The collection presents lamps available in three sizes for single-unit or dynamic compositions. These lamps are very versatile and fit any kind of setting, thanks to their simple shape yet rich materials.

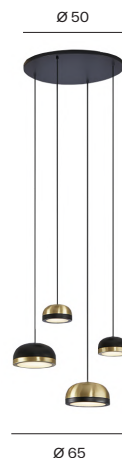
Materials: metal, aluminum, PMMA

Mounting: Pendant: cable length 150 cm. Canopy: Ø 50 cm included with bracket. Light source: Integrated LED.

Nt. Wt.: 4,9 kg / 10,8 lb

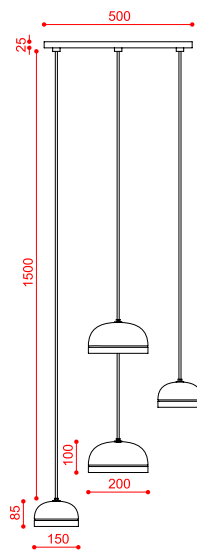
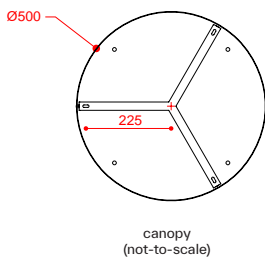
Class: Degree of protection IP40, insulation class 1.

Note: Custom canopy on request.
Additional suspensions available on request.
220/240V version available on request.
Price for different color combinations on request.
Structure and canopy finish C74.



CE \oplus IP40

code	voltage	nominal flux	dimmability	dome finishes	cable (cm)	dimensions (cm)	LED	USD
556.14	110/120V	4600 lm	phase cut	C46 / C74	150	Ø 65	4 x10W 2700K	\$2,999.00
556.14	110/120V	4600 lm	phase cut	C41 / C50 / C99	150	Ø 65	4 x10W 2700K	\$4,479.00



measurements in mm

MOLLY

556.21 Pendant

Picture on page 129/130 of the catalogue

Design: Corrado Dotti

Description: Collection of contemporary hanging lamps, with a painted dome and ring either painted or finished with brushed brass, copper or pewter. The bright diamond screen is made of plexiglass to better spread light out. The collection presents lamps available in three sizes for single-unit or dynamic compositions. These lamps are very versatile and fit any kind of setting, thanks to their simple shape yet rich materials.

Materials: metal, aluminum, PMMA

Mounting: Pendant: cable length 150 cm. Canopy: Ø 13 cm included with bracket. Light source: Integrated LED.

Nt. Wt.: 0,5 kg / 1,1 lb

Class: Degree of protection IP40, insulation class 1.

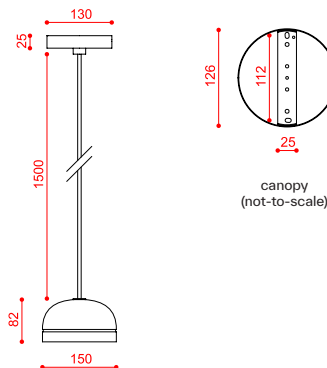
Note: 220/240V version available on request.
Structure and canopy finish C74.

CE IP40



code	voltage	nominal flux	dimmability	dome finishes	cable (cm)	dimensions (cm)	LED	USD
556.21	110/120V	4600 lm	phase cut	C46 / C74	150	Ø 15	10W 2700K	\$749.00
556.21	110/120V	4600 lm	phase cut	C41 / C50 / C99	150	Ø 15	10W 2700K	\$999.00

Dome	Ring	
		C41 Brushed brass
		C46 Sand grey
		C50 Pewter
		C74 Sand black
		C99 Copper



measurements in mm

MOLLY

556.22 Pendant

Picture on page 129/130 of the catalogue

Design: Corrado Dotti

Description: Collection of contemporary hanging lamps, with a painted dome and ring either painted or finished with brushed brass, copper or pewter. The bright diamond screen is made of plexiglass to better spread light out. The collection presents lamps available in three sizes for single-unit or dynamic compositions. These lamps are very versatile and fit any kind of setting, thanks to their simple shape yet rich materials.

Materials: metal, aluminum, PMMA

Mounting: Pendant: cable length 150 cm. Canopy: Ø 13 cm included with bracket. Light source: Integrated LED.

Nt. Wt.: 1,1 kg/ 2,4 lb

Class: Degree of protection IP40, insulation class 1.

Note: 220/240V version available on request.
Structure and canopy finish C74.

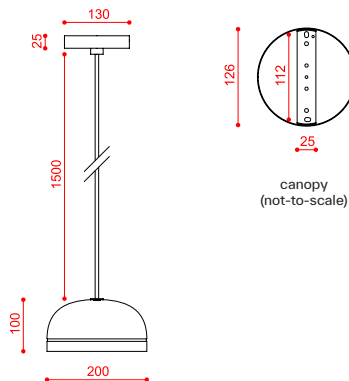


Ø 20

CE IP40

code	voltage	nominal flux	dimmability	dome finishes	cable (cm)	dimensions (cm)	LED	USD
556.22	110/120V	1150 lm	phase cut	C46 / C74	150	Ø 20	10W 2700K	\$899.00
556.22	110/120V	1150 lm	phase cut	C41 / C50 / C99	150	Ø 20	10W 2700K	\$1,249.00

Dome	Ring	
		C41 Brushed brass
		C46 Sand grey
		C50 Pewter
		C74 Sand black
		C99 Copper



measurements in mm

MOLLY

556.23 Pendant

Picture on page 129/130 of the catalogue

Design: Corrado Dotti

Description: Collection of contemporary hanging lamps, with a painted dome and ring either painted or finished with brushed brass, copper or pewter. The bright diamond screen is made of plexiglass to better spread light out. The collection presents lamps available in three sizes for single-unit or dynamic compositions. These lamps are very versatile and fit any kind of setting, thanks to their simple shape yet rich materials.

Materials: metal, aluminum, PMMA

Mounting: Pendant: cable length 150 cm. Canopy: Ø 13 cm included with bracket. Light source: Integrated LED.

Nt. Wt.: 2,8 kg / 6,2 lb

Class: Degree of protection IP40, insulation class 1.

Note: 220/240V version available on request.
Structure and canopy finish C74.

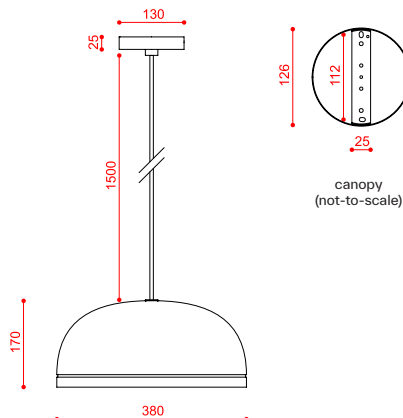
CE IP40



Ø 38

code	voltage	nominal flux	dimmability	dome finishes	cable (cm)	dimensions (cm)	LED	USD
556.23	110/120V	1610 lm	phase cut	C46 / C74	150	Ø 38	14W 2700K	\$1,499.00
556.23	110/120V	1610 lm	phase cut	C41 / C50 / C99	150	Ø 38	14W 2700K	\$2,249.00

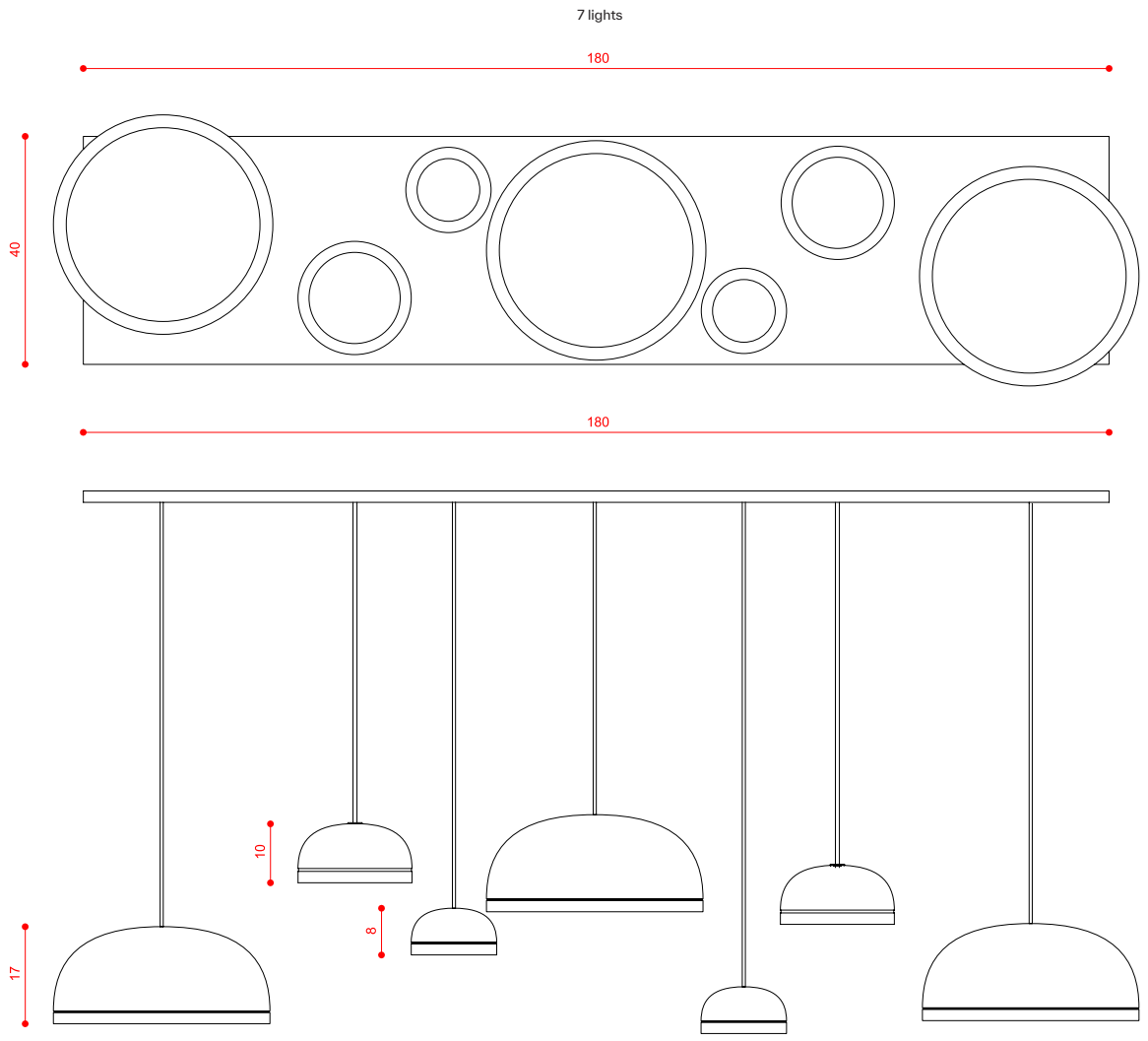
Dome	Ring	
		C41 Brushed brass
		C46 Sand grey
		C50 Pewter
		C74 Sand black
		C99 Copper



measurements in mm

Suggested application

MOLLY Pendant



MOLLY

556.26 Chandelier

Design: Corrado Dotti

Description: Collection of contemporary hanging lamps, with a painted dome and ring either painted or finished with brushed brass, copper or pewter. The bright diamond screen is made of plexiglass to better spread light out. The collection presents lamps available in three sizes for single-unit or dynamic compositions. These lamps are very versatile and fit any kind of setting, thanks to their simple shape yet rich materials.

Materials: metal, aluminum, PMMA

Mounting: Pendant: cable length 150 cm. Canopy: Ø 23 cm included with bracket. Ceiling attachment: 6 included. Light source: Integrated LED.

Nt. Wt.: 5 kg / 11 lb

Class: Degree of protection IP40, insulation class 1.

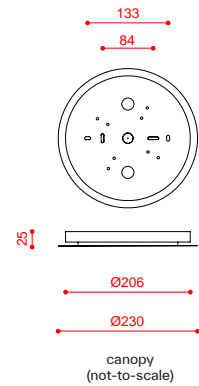
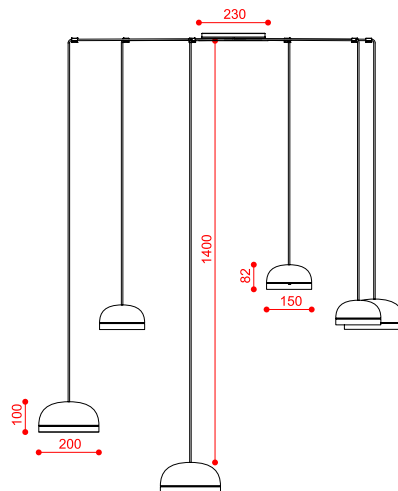
Note: Additional suspensions available on request.
220/240V version available on request.
Custom canopy on request.
Price for different color combinations on request.
Structure and canopy finish C74.



CE IP40

code	voltage	nominal flux	dimmiability	dome finishes	cable (cm)	dimensions (cm)	LED	USD
556.26	110/120V	6900 lm	phase cut	C46 / C74	150	Ø 65	6 x10W 2700K	\$4,299.00
556.26	110/120V	6900 lm	phase cut	C41 / C50 / C99	150	Ø 65	6 x10W 2700K	\$6,229.00

Dome	Ring	
		C41 Brushed brass
		C46 Sand grey
		C50 Pewter
		C74 Sand black
		C99 Copper



measurements in mm

MOLLY

556.31 Side Table

Design: Corrado Dotti

Description: Collection of contemporary lamps with a painted dome and ring either painted or finished with brushed brass, copper or pewter. The bright diamond screen is made of plexiglass to better spread light out. These lamps are very versatile and fit any kind of setting, thanks to their simple shape yet rich materials.

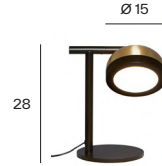
Materials: metal, aluminum, PMMA

Mounting: Table: cable length 150 cm. Plug: type A. Dimmer: 50 cm from the base on black fabric cable. Adjustable direct light: 270°. Light source: Integrated LED.

Nt. Wt.: 2,7 kg / 6 lb

Class: Degree of protection IP40, insulation class 2.

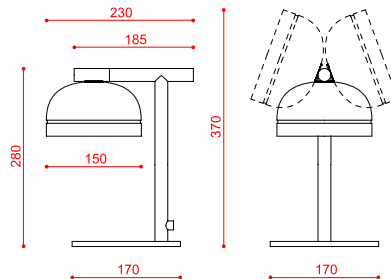
Note: 220/240V version available on request.
Structure and canopy finish C74.



CE  IP40

code	voltage	nominal flux	dimmiability	dome finishes	cable (cm)	dimensions (cm)	LED	USD
556.31	110/120V	1150 lm	dimmer on cable	C46 / C74	150	H 28 x L 23	10W 2700K	\$1,379.00
556.31	110/120V	1150 lm	dimmer on cable	C41 / C50 / C99	150	H 28 x L 23	10W 2700K	\$1,499.00

Dome	Ring	
		C41 Brushed brass
		C46 Sand grey
		C50 Pewter
		C74 Sand black
		C99 Copper



measurements in mm

MOLLY

556.32 Table

Picture on page 127 of the catalogue

Design: Corrado Dotti

Description: Collection of contemporary lamps with a painted dome and ring either painted or finished with brushed brass, copper or pewter. The bright diamond screen is made of plexiglass to better spread light out. These lamps are very versatile and fit any kind of setting, thanks to their simple shape yet rich materials.

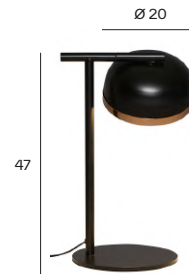
Materials: metal, aluminum, PMMA

Mounting: Table: cable length 150 cm. Plug: type A. Dimmer: 50 cm from the base on black fabric cable. Adjustable direct light: 270°. Light source: Integrated LED.

Nt. Wt.: 5 kg / 11 lb

Class: Degree of protection IP40, insulation class 2.

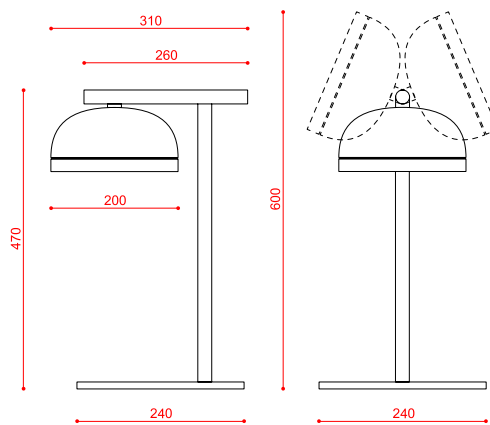
Note: 220/240V version available on request.
Structure and canopy finish C74.



CE  IP40

code	voltage	nominal flux	dimmiability	dome finishes	cable (cm)	dimensions (cm)	LED	USD
556.32	110/120V	1150 lm	dimmer on cable	C46 / C74	150	H 47 x L 31	10W 2700K	\$1,799.00
556.32	110/120V	1150 lm	dimmer on cable	C41 / C50 / C99	150	H 47 x L 31	10W 2700K	\$1,999.00

Dome	Ring	
		C41 Brushed brass
		C46 Sand grey
		C50 Pewter
		C74 Sand black
		C99 Copper



measurements in mm

MOLLY

556.42 Wall

Design: Corrado Dotti

Description: Collection of contemporary lamps with a painted dome and ring either painted or finished with brushed brass, copper or pewter. The bright diamond screen is made of plexiglass to better spread light out. These lamps are very versatile and fit any kind of setting, thanks to their simple shape yet rich materials.

Materials: metal, aluminum, PMMA

Mounting: Base: Ø 11,5 cm included with bracket. Adjustable direct light: 270°. Light source: Integrated LED.

Nt. Wt.: 1,3 kg / 2,9 lb

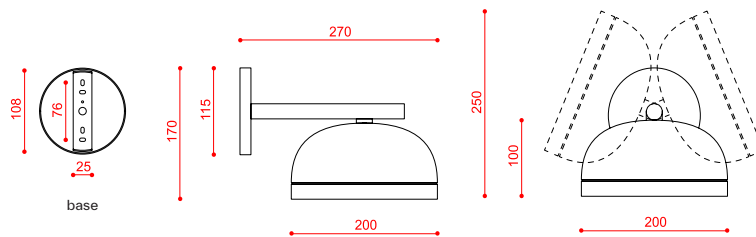
Class: Degree of protection IP40, insulation class 1.

Note: Base for Junction Box included.
220/240V version available on request.
Structure and canopy finish C74.

CE  IP40



code	voltage	nominal flux	dimmability	dome finishes	cable (cm)	dimensions (cm)	LED	USD
556.42	110/120V	1150 lm	phase cut	C46 / C74	/	H 17 x L 27	10W 2700K	\$1,149.00
556.42	110/120V	1150 lm	phase cut	C41 / C50 / C99	/	H 17 x L 27	10W 2700K	\$1,399.00



measurements in mm

MOLLY

556.62 Floor

Picture on page 125 of the catalogue

Design: Corrado Dotti

Description: Collection of contemporary lamps with a painted dome and ring either painted or finished with brushed brass, copper or pewter. The bright diamond screen is made of plexiglass to better spread light out. These lamps are very versatile and fit any kind of setting, thanks to their simple shape yet rich materials.

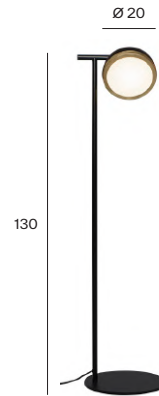
Materials: metal, aluminum, PMMA

Mounting: Floor: cable length 300 cm. Plug: type A. Dimmer: 80 cm from the base on black fabric cable. Adjustable direct light: 270°. Light source: Integrated LED.

Nt. Wt.: 10 kg / 22 lb


Class: Degree of protection IP40, insulation class 2.

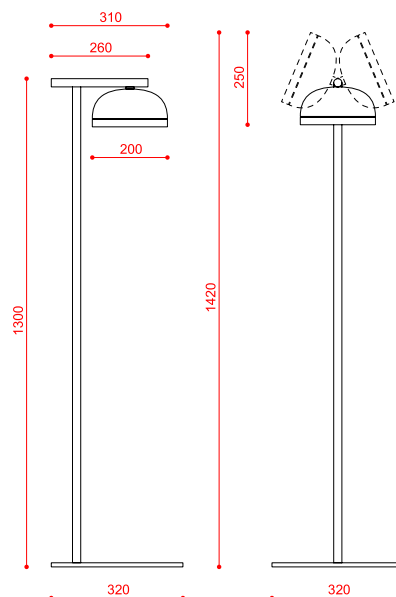
Note: 220/240V version available on request.
Structure and canopy finish C74.



CE  IP40

code	voltage	nominal flux	dimmiability	dome finishes	cable (cm)	dimensions (cm)	LED	USD
556.62	110/120V	1150 lm	dimmer on cable	C46 / C74	300	H 130 x Ø 32	10W 2700K	\$2,469.00
556.62	110/120V	1150 lm	dimmer on cable	C41 / C50 / C99	300	H 130 x Ø 32	10W 2700K	\$2,749.00

Dome	Ring	
		C41 Brushed brass
		C46 Sand grey
		C50 Pewter
		C74 Sand black
		C99 Copper



measurements in mm

MOLLY

556.71 Wall/Ceiling

Picture on page 126 of the catalogue

Design: Corrado Dotti

Description: Collection of contemporary lamps with a painted dome and ring either painted or finished with brushed brass, copper or pewter. The bright diamond screen is made of plexiglass to better spread light out. These lamps are very versatile and fit any kind of setting, thanks to their simple shape yet rich materials.

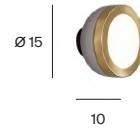
Materials: metal, aluminum, PMMA

Mounting: Base: Ø 6 cm included with bracket. Light source: Integrated LED.

Nt. Wt.: 0,2 kg / 0,4 lb

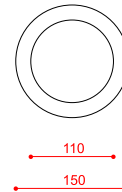
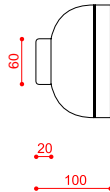
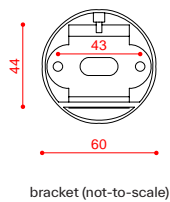
Class: Degree of protection IP40, insulation class 1.

Note: Base for Junction Box included.
220/240V version available on request.



CE IP40

code	voltage	nominal flux	dimmability	dome finishes	cable (cm)	dimensions (cm)	LED	USD
556.71	110/120V	1150 lm	phase cut	C46 / C74	/	D 10 x Ø 15	10W 2700K	\$659.00
556.71	110/120V	1150 lm	phase cut	C41 / C50 / C99	/	D 10 x Ø 15	10W 2700K	\$879.00



measurements in mm

MOLLY

556.72 Wall/Ceiling

Design: Corrado Dotti

Description: Collection of contemporary lamps with a painted dome and ring either painted or finished with brushed brass, copper or pewter. The bright diamond screen is made of plexiglass to better spread light out. These lamps are very versatile and fit any kind of setting, thanks to their simple shape yet rich materials.

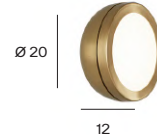
Materials: metal, aluminum, PMMA

Mounting: Base: Ø 6 cm included with bracket. Light source: Integrated LED.

Nt. Wt.: 1,1 kg / 2,4 lb

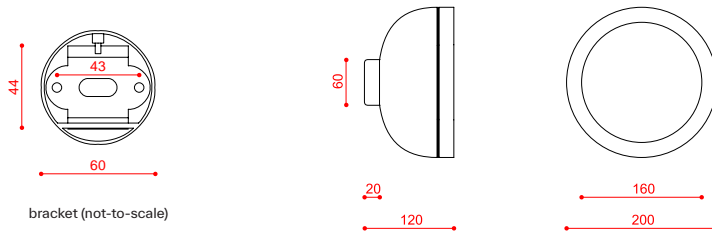
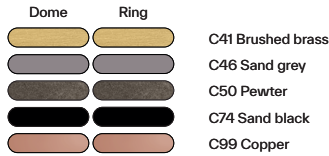
Class: Degree of protection IP40, insulation class 1.

Note: Base for Junction Box included.
220/240V version available on request.



CE IP40

code	voltage	nominal flux	dimmability	dome finishes	cable (cm)	dimensions (cm)	LED	USD
556.72	110/120V	1150 lm	phase cut	C46 / C74	/	D 12 x Ø 20	10W 2700K	\$849.00
556.72	110/120V	1150 lm	phase cut	C41 / C50 / C99	/	D 12 x Ø 20	10W 2700K	\$1,149.00



measurements in mm

MOLLY

556.73 Wall/Ceiling

Design: Corrado Dotti

Description: Collection of contemporary lamps with a painted dome and ring either painted or finished with brushed brass, copper or pewter. The bright diamond screen is made of plexiglass to better spread light out. These lamps are very versatile and fit any kind of setting, thanks to their simple shape yet rich materials.

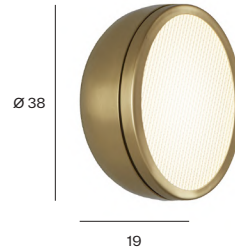
Materials: metal, aluminum, PMMA

Mounting: Base: Ø 13 cm included with bracket. Light source: Integrated LED.

Nt. Wt.: 2,5 kg / 5,5 lb

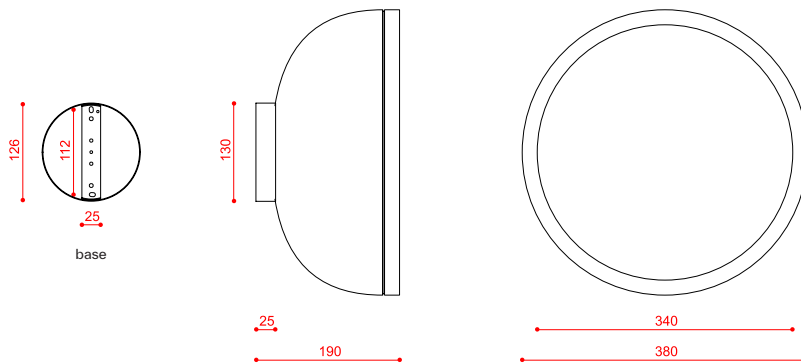
Class: Degree of protection IP40, insulation class 1.

Note: Base for Junction Box included.
220/240V version available on request.



CE IP40

code	voltage	nominal flux	dimmability	dome finishes	cable (cm)	dimensions (cm)	LED	USD
556.73	110/120V	1610 lm	phase cut	C46 / C74	/	D 19 x Ø 38	14W 2700K	\$1,429.00
556.73	110/120V	1610 lm	phase cut	C41 / C50 / C99	/	D 19 x Ø 38	14W 2700K	\$2,179.00



measurements in mm

MUSE

554.13 Chandelier

Picture on page 38/133/134 of the catalogue

Design: Corrado Dotti

Description: Collection of neo-vintage metal lamps with a double-sided diffuser in borosilicate glass. The metal domes (one internal and the other one external) have the internal side with different colors or finishing: they can be painted or finished in polished brass and bright copper, thus to create different textural combinations. The hanging version are provided with a further G9 source located in the lower part of the lamp.

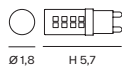
Materials: metal, brass, glass

Mounting: Pendant: 125 cm steel cable, electric cable length 150 cm. Canopy: \varnothing 13 cm included with bracket. Light source: G9 bulb.

Nt. Wt.: 12 kg / 26,5 lb

Class: Degree of protection IP40, insulation class 1.

Note: 220/240V version available on request.
Max dimensions bulb (excluded):



CE IP40

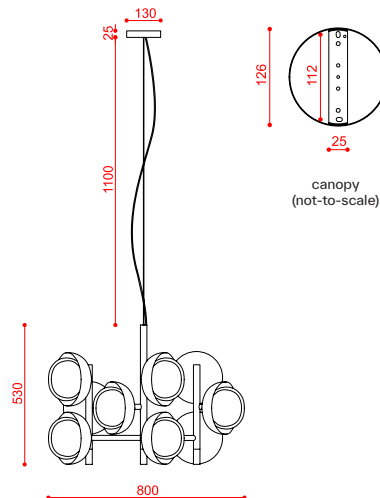


code	voltage	nominal flux	dimmiability	finishes	cable (cm)	dimensions (cm)	recommended LED bulb	USD
554.13	110/120V	/	according to bulb	C74 + C41	125	H 53 x \varnothing 80	13 x G9 max 5W	\$8,499.00
554.13	110/120V	/	according to bulb	C74 + C99	125	H 53 x \varnothing 80	13 x G9 max 5W	\$8,499.00

Hardware



C74 Sand black + C41 Brushed brass
C74 Sand black + C99 Copper



measurements in mm

MUSE

554.14 Chandelier

Picture on page 137 of the catalogue

Design: Corrado Dotti

Description: Collection of neo-vintage metal lamps with a double-sided diffuser in borosilicate glass. The metal domes (one internal and the other one external) have the internal side with different colors or finishing: they can be painted or finished in polished brass and bright copper, thus to create different textural combinations.

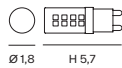
Materials: metal, brass, glass

Mounting: Pendant: cable length 150 cm. Canopy: Ø 50 cm included with bracket. Light source: G9 bulb.

Nt. Wt.: 9,3 kg / 20,5 lb

Class: Degree of protection IP40, insulation class 1.

Note: Custom canopy on request.
Additional suspensions available on request.
220/240V version available on request.
Max dimensions bulb (excluded):



CE IP40



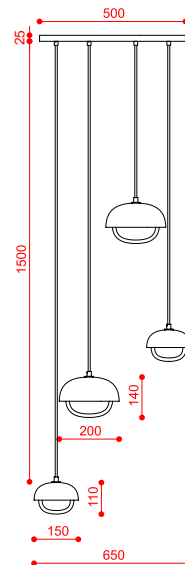
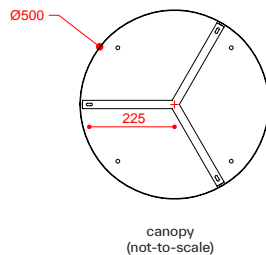
code	voltage	nominal flux	dimmiability	finishes	cable (cm)	dimensions (cm)	recommended LED bulb	USD
554.14	110/120V	/	according to bulb	C74 + C41	150	Ø 65	4 x G9 max 5W	\$2,799.00
554.14	110/120V	/	according to bulb	C74 + C99	150	Ø 65	4 x G9 max 5W	\$2,799.00

Hardware



C74 Sand black + C41 Brushed brass

C74 Sand black + C99 Copper



measurements in mm

MUSE

554.21 Pendant

Design: Corrado Dotti

Description: Collection of neo-vintage metal lamps with a double-sided diffuser in borosilicate glass. The metal domes (one internal and the other one external) have the internal side with different colors or finishing: they can be painted or finished in polished brass and bright copper, thus to create different textural combinations.

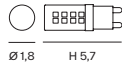
Materials: metal, brass, glass

Mounting: Pendant: cable length 150 cm. Canopy: Ø 13 cm included with bracket. Light source: G9 bulb.

Nt. Wt.: 1,5 kg / 3,3 lb

Class: Degree of protection IP40, insulation class 1.

Note: 220/240V version available on request.
Max dimensions bulb (excluded):



CE IP40



Ø 15

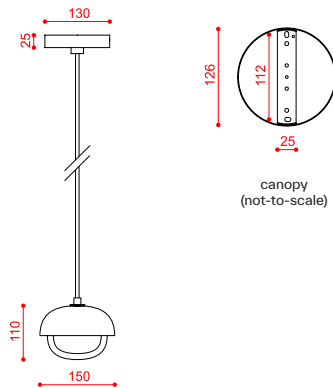
code	voltage	nominal flux	dimmbability	finishes	cable (cm)	dimensions (cm)	recommended LED bulb	USD
554.21	110/120V	/	according to bulb	C74 + C41	150	H 12 x Ø 15	1 x G9 max 5W	\$629.00
554.21	110/120V	/	according to bulb	C74 + C99	150	H 12 x Ø 15	1 x G9 max 5W	\$629.00

Hardware



C74 Sand black + C41 Brushed brass

C74 Sand black + C99 Copper



measurements in mm

MUSE

554.22 Pendant

Design: Corrado Dotti

Description: Collection of neo-vintage metal lamps with a double-sided diffuser in borosilicate glass. The metal domes (one internal and the other one external) have the internal side with different colors or finishing: they can be painted or finished in polished brass and bright copper, thus to create different textural combinations.

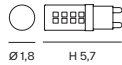
Materials: metal, brass, glass

Mounting: Pendant: cable length 150 cm. Canopy: Ø 13 cm included with bracket. Light source: G9 bulb.

Nt. Wt.: 2,0 kg / 4,4 lb

Class: Degree of protection IP40, insulation class 1.

Note: 220/240V version available on request.
Max dimensions bulb (excluded):



CE IP40



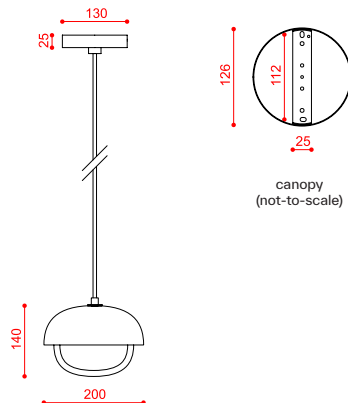
code	voltage	nominal flux	dimmbability	finishes	cable (cm)	dimensions (cm)	recommended LED bulb	USD
554.22	110/120V	/	according to bulb	C74 + C41	150	H 19 x Ø 20	1 x G9 max 5W	\$789.00
554.22	110/120V	/	according to bulb	C74 + C99	150	H 19 x Ø 20	1 x G9 max 5W	\$789.00

Hardware



C74 Sand black + C41 Brushed brass

C74 Sand black + C99 Copper



measurements in mm

MUSE

554.25 Chandelier

Design: Corrado Dotti

Description: Collection of neo-vintage metal lamps with a double-sided diffuser in borosilicate glass. The metal domes (one internal and the other one external) have the internal side with different colors or finishing: they can be painted or finished in polished brass and bright copper, thus to create different textural combinations. The hanging version are provided with a further G9 source located in the lower part of the lamp.

Materials: metal, brass, glass

Mounting: Pendant: 125 cm steel cable, electric cable length 150 cm. Canopy: Ø 13 cm included with bracket. Light source: G9 bulb.

Nt. Wt.: 4,6 kg / 10,1 lb

Class: Degree of protection IP40, insulation class 1.

Note: 220/240V version available on request.

Max dimensions bulb (excluded):



CE IP40



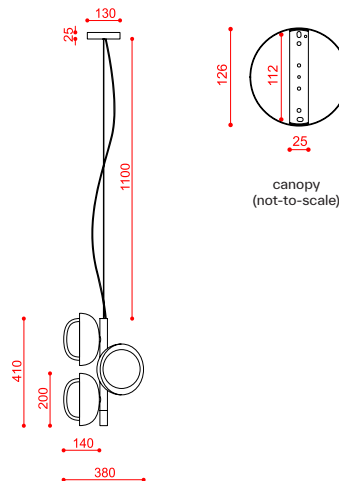
code	voltage	nominal flux	dimmiability	finishes	cable (cm)	dimensions (cm)	recommended LED bulb	USD
554.25	110/120V	/	according to bulb	C74 + C41	125	H 41 x Ø 38	5 x G9 max 5W	\$3,229.00
554.25	110/120V	/	according to bulb	C74 + C99	125	H 41 x Ø 38	5 x G9 max 5W	\$3,229.00

Hardware



C74 Sand black + C41 Brushed brass

C74 Sand black + C99 Copper



measurements in mm

MUSE

554.35 Table

Picture on page 139 of the catalogue

Design: Corrado Dotti

Description: Collection of neo-vintage metal lamps with a double-sided diffuser in borosilicate glass. The metal domes (one internal and the other one external) have the internal side with different colors or finishing: they can be painted or finished in polished brass and bright copper, thus to create different textural combinations.

Materials: metal, brass, glass

Mounting: Floor: cable length 150 cm. Plug: type B. On/off switch: 50 cm from the base on black fabric cable. Light source: G9 bulb.

Nt. Wt.: 8 kg / 17,6 lb

Class: Degree of protection IP40, insulation class 1.

Note: 220/240V version available on request.
Dimmer version available on request.
Max dimensions bulb (excluded):



CE IP40



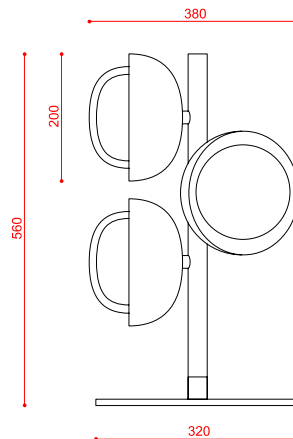
code	voltage	nominal flux	dimmiability	finishes	cable (cm)	dimensions (cm)	recommended LED bulb	USD
554.35	110/120V	/	/	C74 + C41	150	H 55 x Ø 32	4 x G9 max 5W	\$3,099.00
554.35	110/120V	/	/	C74 + C99	150	H 55 x Ø 32	4 x G9 max 5W	\$3,099.00

Hardware



C74 Sand black + C41 Brushed brass

C74 Sand black + C99 Copper



measurements in mm

MUSE

554.44 Wall

Design: Corrado Dotti

Description: Collection of neo-vintage metal lamps with a double-sided diffuser in borosilicate glass. The metal domes (one internal and the other one external) have the internal side with different colors or finishing: they can be painted or finished in polished brass and bright copper, thus to create different textural combinations. The wall lamp version are provided with a further G9 source located in the lower part of the lamp.

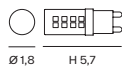
Materials: metal, brass, glass

Mounting: Base: Ø13 cm included with bracket. Light source: G9 bulb.

Nt. Wt.: 3,9 kg / 8,6 lb

Class: Degree of protection IP40, insulation class 1.

Note: Base for Junction Box included.
220/240V version available on request.
Max dimensions bulb (excluded):



CE IP40

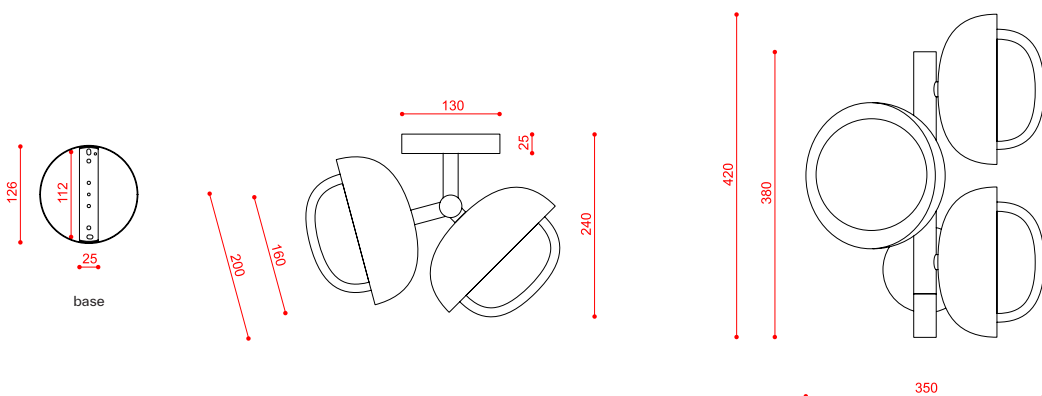


code	voltage	nominal flux	dimmiability	finishes	cable (cm)	dimensions (cm)	recommended LED bulb	USD
554.44	110/120V	/	according to bulb	C74 + C41	/	H 42 x Ø 35	4 x G9 max 5W	\$2,949.00
554.44	110/120V	/	according to bulb	C74 + C41	/	H 42 x Ø 35	4 x G9 max 5W	\$2,949.00

Hardware



C74 Sand black + C41 Brushed brass
C74 Sand black + C99 Copper



measurements in mm

MUSE

554.65 Floor

Picture on page 140 of the catalogue

Design: Corrado Dotti

Description: Collection of neo-vintage metal lamps with a double-sided diffuser in borosilicate glass. The metal domes (one internal and the other one external) have the internal side with different colors or finishing: they can be painted or finished in polished brass and bright copper, thus to create different textural combinations.

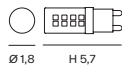
Materials: metal, brass, glass

Mounting: Floor: cable length 300 cm. Plug: type B. On/off switch: 50 cm from the base on black fabric cable. Light source: G9 bulb.

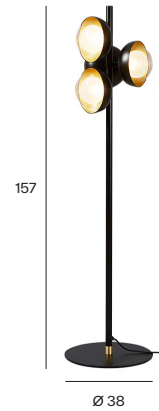
t. Wt.: 13 kg / 28,7 lb

Class: Degree of protection IP40, insulation class 1.

Note: 220/240V version available on request.
Dimmer version available on request.
Max dimensions bulb (excluded):



CE IP40



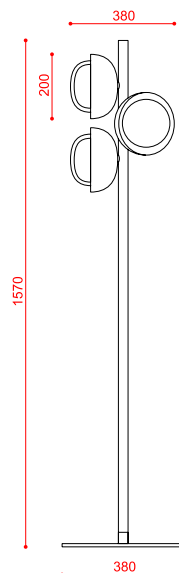
code	voltage	nominal flux	dimmiability	finishes	cable (cm)	dimensions (cm)	recommended LED bulb	USD
554.65	110/120V	/	/	C74 + C41	300	H 157 x Ø 38	4 x G9 max 5W	\$3,649.00
554.65	110/120V	/	/	C74 + C99	300	H 157 x Ø 38	4 x G9 max 5W	\$3,649.00

Hardware



C74 Sand black + C41 Brushed brass

C74 Sand black + C99 Copper



measurements in mm

MUSE

554.71 Wall/Ceiling

Design: Corrado Dotti

Description: Collection of neo-vintage metal lamps with a double-sided diffuser in borosilicate glass. The metal domes (one internal and the other one external) have the internal side with different colors or finishing: they can be painted or finished in polished brass and bright copper, thus to create different textural combinations.

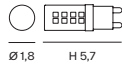
Materials: metal, brass, glass

Mounting: Base: Ø 7 cm (with Ø 5 mm holes). Light source: G9 bulb.

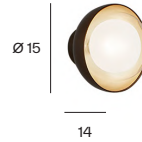
Nt. Wt.: 0,4 kg / 0,9 lb

Class: Degree of protection IP40, insulation class 1.

Note: Base for Junction Box included.
220/240V version available on request.
Max dimensions bulb (excluded):



CE IP40

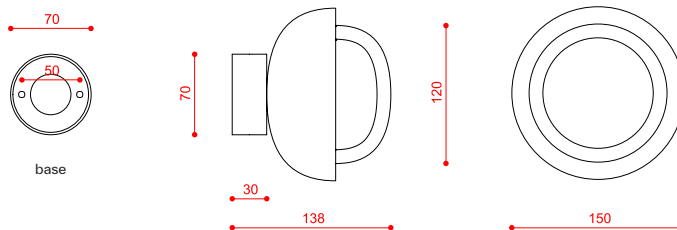


code	voltage	nominal flux	dimmability	finishes	cable (cm)	dimensions (cm)	recommended LED bulb	USD
554.71	110/120V	/	according to bulb	C74 + C41	/	D 14 x Ø 15	1 x G9 max 5W	\$629.00
554.71	110/120V	/	according to bulb	C74 + C99	/	D 14 x Ø 15	1 x G9 max 5W	\$629.00

Hardware



C74 Sand black + C41 Brushed brass
C74 Sand black + C99 Copper



MUSE

554.72 Wall/Ceiling

Design: Corrado Dotti

Description: Collection of neo-vintage metal lamps with a double-sided diffuser in borosilicate glass. The metal domes (one internal and the other one external) have the internal side with different colors or finishing: they can be painted or finished in polished brass and bright copper, thus to create different textural combinations.

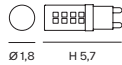
Materials: metal, brass, glass

Mounting: Base: Ø 7 cm (with Ø 5 mm holes). Light source: G9 bulb.

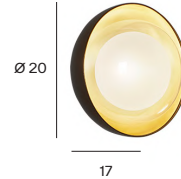
Nt. Wt.: 0,5 kg / 1,1 lb

Class: Degree of protection IP40, insulation class 1.

Note: Base for Junction Box included.
220/240V version available on request.
Max dimensions bulb (excluded):



CE IP40

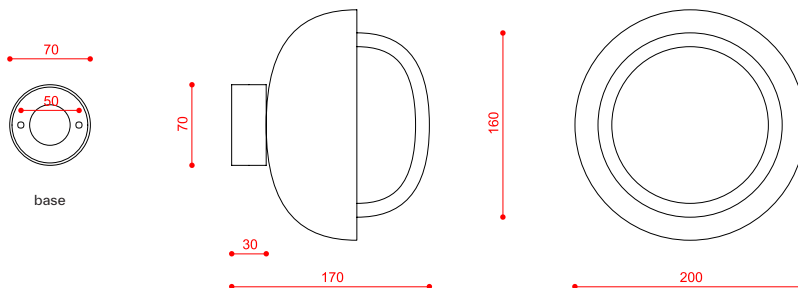


code	voltage	nominal flux	dimmability	finishes	cable (cm)	dimensions (cm)	recommended LED bulb	USD
554.72	110/120V	/	according to bulb	C74 + C41	/	D 17 x Ø 20	1 x G9 max 5W	\$729.00
554.72	110/120V	/	according to bulb	C74 + C99	/	D 17 x Ø 20	1 x G9 max 5W	\$729.00

Hardware



C74 Sand black + C41 Brushed brass
C74 Sand black + C99 Copper



NABILA

552.19 Chandelier

Picture on page 160 of the catalogue

Design: Corrado Dotti

Description: A double-sided spherical bright object in borosilicate glass makes these lamps available in different compositions and a structure made by metal coated with epoxy powder enriched with brushed brass or black chrome details. Richness and sobriety all in one single element.

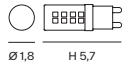
Materials: metal, brass, glass

Mounting: Chandelier: 30/60/90 cm stems included (adjusted on site). Canopy: Ø13 cm included with bracket. Glasses: 9 x Ø12 cm. Light source: G9 bulb.

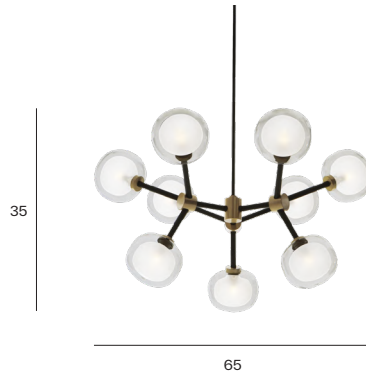
Nt. Wt.: 4 kg / 8,8 lb

Class: Degree of protection IP40, insulation class 1.

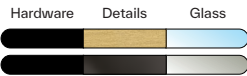
Note: Custom stem on request (25 cm min.).
 Custom canopy on request.
 Sloped ceiling canopy on request.
 220/240V version available on request.
 Max dimensions bulb (excluded):



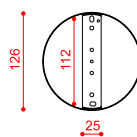
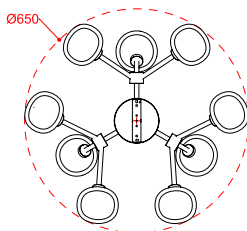
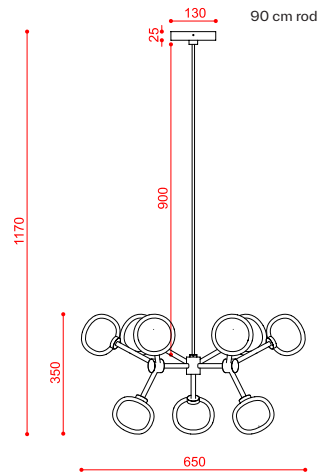
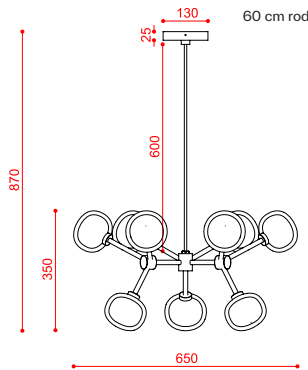
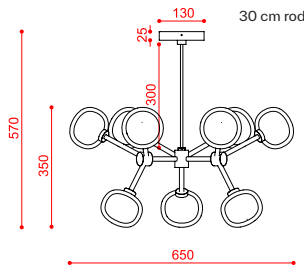
UL US CE IP40



code	voltage	nominal flux	dimmability	finishes	stem included (cm) adj. on site	dimensions (cm)	recommended LED bulb	USD
552.19	110/120V	/	according to bulb	C2 + C41 + clear	30/60/90	H 35 x L 65	9 x G9 max 5W	\$3,999.00
552.19	110/120V	/	according to bulb	C2 + C48 + smoke	30/60/90	H 35 x L 65	9 x G9 max 5W	\$4,999.00



C2 Matte black + C41 Brushed brass + Clear glass
 C2 Matte black + C48 Black chrome + Smoke glass



canopy (not-to-scale)

measurements in mm

NABILA

552.10 Chandelier

Picture on page 157 of the catalogue

Design: Corrado Dotti

Description: A double-sided spherical bright object in borosilicate glass makes these lamps available in different compositions and a structure made by metal coated with epoxy powder enriched with brushed brass or black chrome details. Richness and sobriety all in one single element.

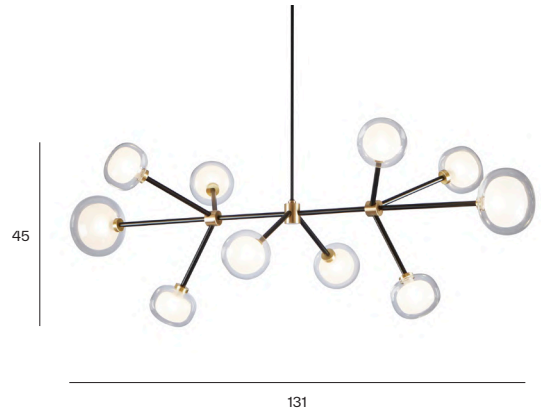
Materials: metal, brass, glass

Mounting: Chandelier: 30/60/90 cm stems included (adjusted on site). Cable: 3 x 0,75 mm². Canopy: Ø 13 cm included with bracket. Glasses: 8 x Ø 12 cm; 2 x Ø 16 cm. Light source: G9 bulb.

Nt. Wt.: 4,5 kg / 9,9 lb

Class: Degree of protection IP40, insulation class 1.

Note: Custom stem on request (25 cm min.).
Custom canopy on request.
Sloped ceiling canopy on request.
220/240V version available on request.
Max dimensions bulb (excluded):



UL US CE IP40

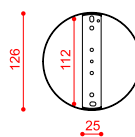
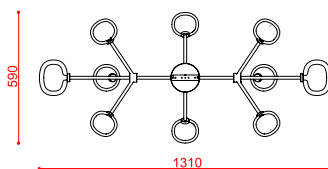
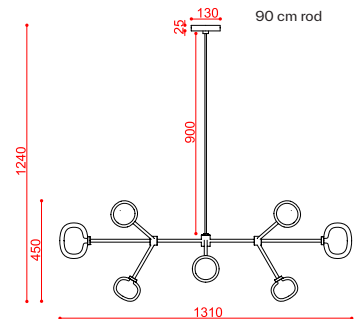
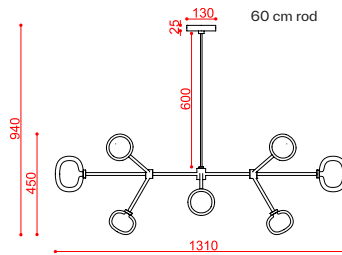
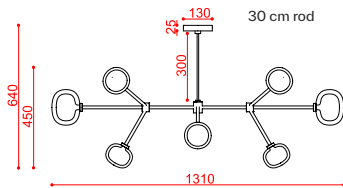
code	voltage	nominal flux	dimmability	finishes	stem included (cm) adj. on site	dimensions (cm)	recommended LED bulb	USD
552.10	110/120V	/	according to bulb	C2 + C41 + clear	30/60/90	H 45 x L 131 x W 59	10 x G9 max 5W	\$5,079.00
552.10	110/120V	/	according to bulb	C2 + C48 + smoke	30/60/90	H 45 x L 131 x W 59	10 x G9 max 5W	\$6,349.00

Hardware Details Glass



C2 Matte black + C41 Brushed brass + Clear glass

C2 Matte black + C48 Black chrome + Smoke glass



canopy
(not-to-scale)

measurements in mm

NABILA

552.12 Chandelier

Picture on page 155 of the catalogue

Design: Corrado Dotti

Description: A double-sided spherical bright object in borosilicate glass makes these lamps available in different compositions and a structure made by metal coated with epoxy powder enriched with brushed brass or black chrome details. Richness and sobriety all in one single element.

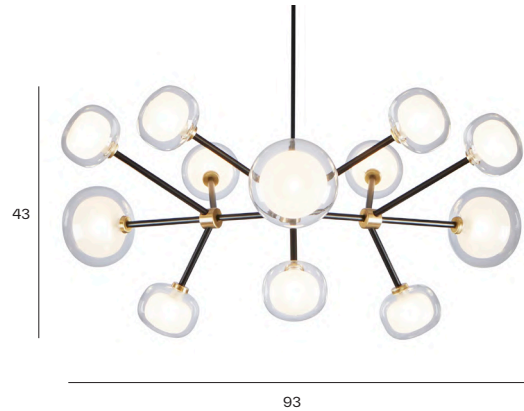
Materials: metal, brass, glass

Mounting: Chandelier: 30/60/90 cm stems included (adjusted on site). Canopy: Ø 13 cm included with bracket. Glasses: 9 x Ø 12 cm; 3 x Ø 16 cm. Light source: G9 bulb.

Nt. Wt.: 6 kg / 13,2 lb

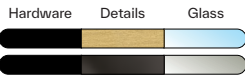
Class: Degree of protection IP40, insulation class 1.

Note: Custom stem on request (25 cm min.).
Custom canopy on request.
Sloped ceiling canopy on request.
220/240V version available on request.
Max dimensions bulb (excluded):

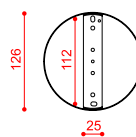
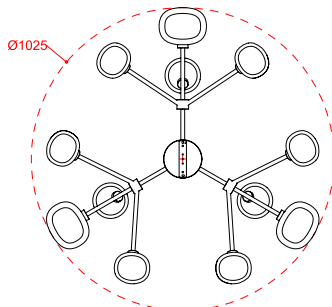
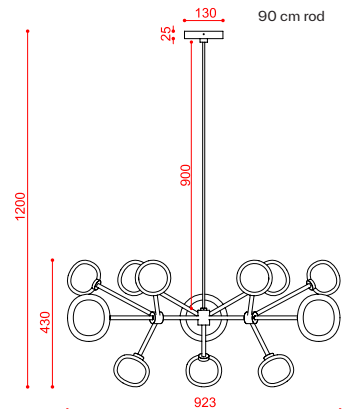
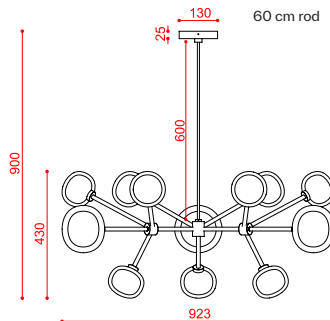
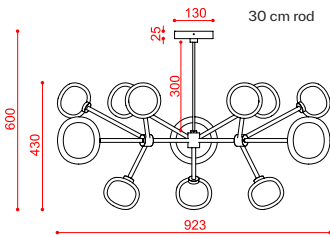


UL US CE IP40

code	voltage	nominal flux	dimmiability	finishes	stem included (cm) adj. on site	dimensions (cm)	recommended LED bulb	USD
552.12	110/120V	/	according to bulb	C2 + C41 + clear	30/60/90	H 43 x L 93	12 x G9 max 5W	\$5,329.00
552.12	110/120V	/	according to bulb	C2 + C48 + smoke	30/60/90	H 43 x L 93	12 x G9 max 5W	\$6,499.00



C2 Matte black + C41 Brushed brass + Clear glass
C2 Matte black + C48 Black chrome + Smoke glass



canopy
(not-to-scale)

measurements in mm

NABILA

552.16 Chandelier

Picture on page 159 of the catalogue

Design: Corrado Dotti

Description: A double-sided spherical bright object in borosilicate glass makes these lamps available in different compositions and a structure made by metal coated with epoxy powder enriched with brushed brass or black chrome details. Richness and sobriety all in one single element.

Materials: metal, brass, glass

Mounting: Chandelier: 30/60/90 cm stems included (adjusted on site). Canopy: Ø 13 cm included with bracket. Glasses: 12 x Ø 12 cm; 4 x Ø 16 cm. Light source: G9 bulb.

Nt. Wt.: 7 kg / 15,4 lb

Class: Degree of protection IP40, insulation class 1.

Note: Custom stem on request (25 cm min.).
Custom canopy on request.
Sloped ceiling canopy on request.
220/240V version available on request.
Max dimensions bulb (excluded):



UL US CE IP40



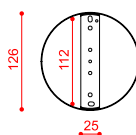
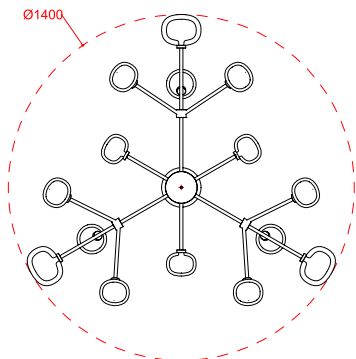
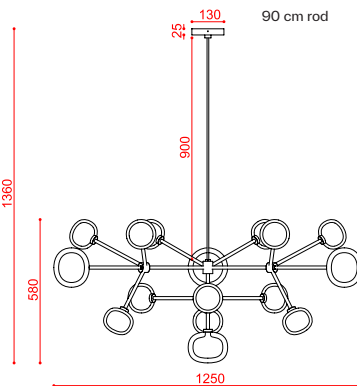
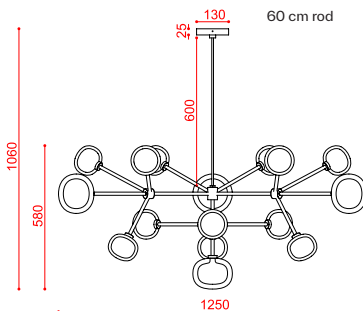
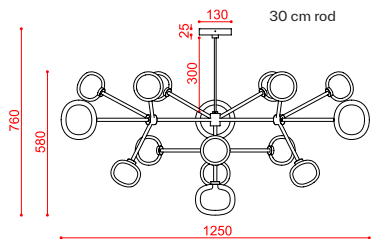
code	voltage	nominal flux	dimmability	finishes	stem included (cm) adj. on site	dimensions (cm)	recommended LED bulb	USD
552.16	110/120V	/	according to bulb	C2 + C41 + clear	30/60/90	H 58 x L 125	16 x G9 max 5W	\$7,449.00
552.16	110/120V	/	according to bulb	C2 + C48 + smoke	30/60/90	H 58 x L 125	16 x G9 max 5W	\$9,399.00

Hardware Details Glass



C2 Matte black + C41 Brushed brass + Clear glass

C2 Matte black + C48 Black chrome + Smoke glass



canopy (not-to-scale)

measurements in mm

NABILA

552.48 Chandelier

Picture on page 31/147 of the catalogue

Design: Corrado Dotti

Description: A double-sided spherical bright object in borosilicate glass makes these lamps available in different compositions and a structure made by metal coated with epoxy powder enriched with brushed brass or black chrome details. Richness and sobriety all in one single element.

Materials: metal, brass, glass

Mounting: Chandelier: custom stem included (adjusted on site).
Canopy: Ø 11 cm included with ring hook. Glasses: 36 x Ø 12 cm; 12 x Ø 16 cm. Light source: G9 bulb.

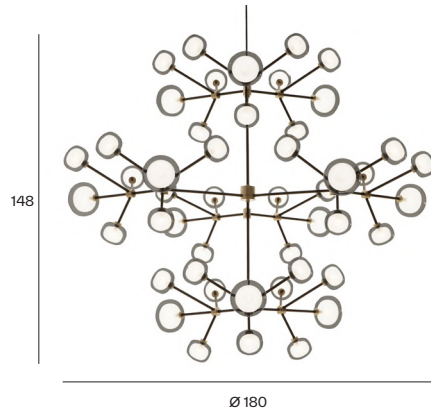
Nt. Wt.: 29 kg/ 64 lb

Class: Degree of protection IP40, insulation class 1.

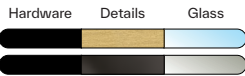
Note: Custom canopy on request.
Sloped ceiling canopy on request.
220/240V version available on request.
Max dimensions bulb (excluded):



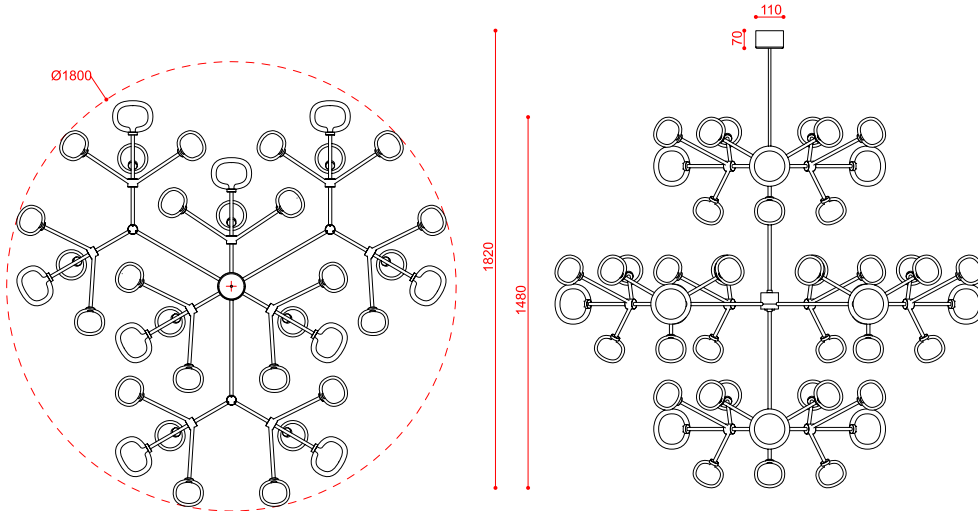
CE IP40



code	voltage	nominal flux	dimmability	finishes	stem included (cm)	dimensions (cm)	recommended LED bulb	USD
552.48	110/120V	/	according to bulb	C2 + C41 + clear	custom	H 148 x Ø 180	48 x G9 max 5W	\$29,999.00
552.48	110/120V	/	according to bulb	C2 + C48 + smoke	custom	H 148 x Ø 180	48 x G9 max 5W	\$35,999.00



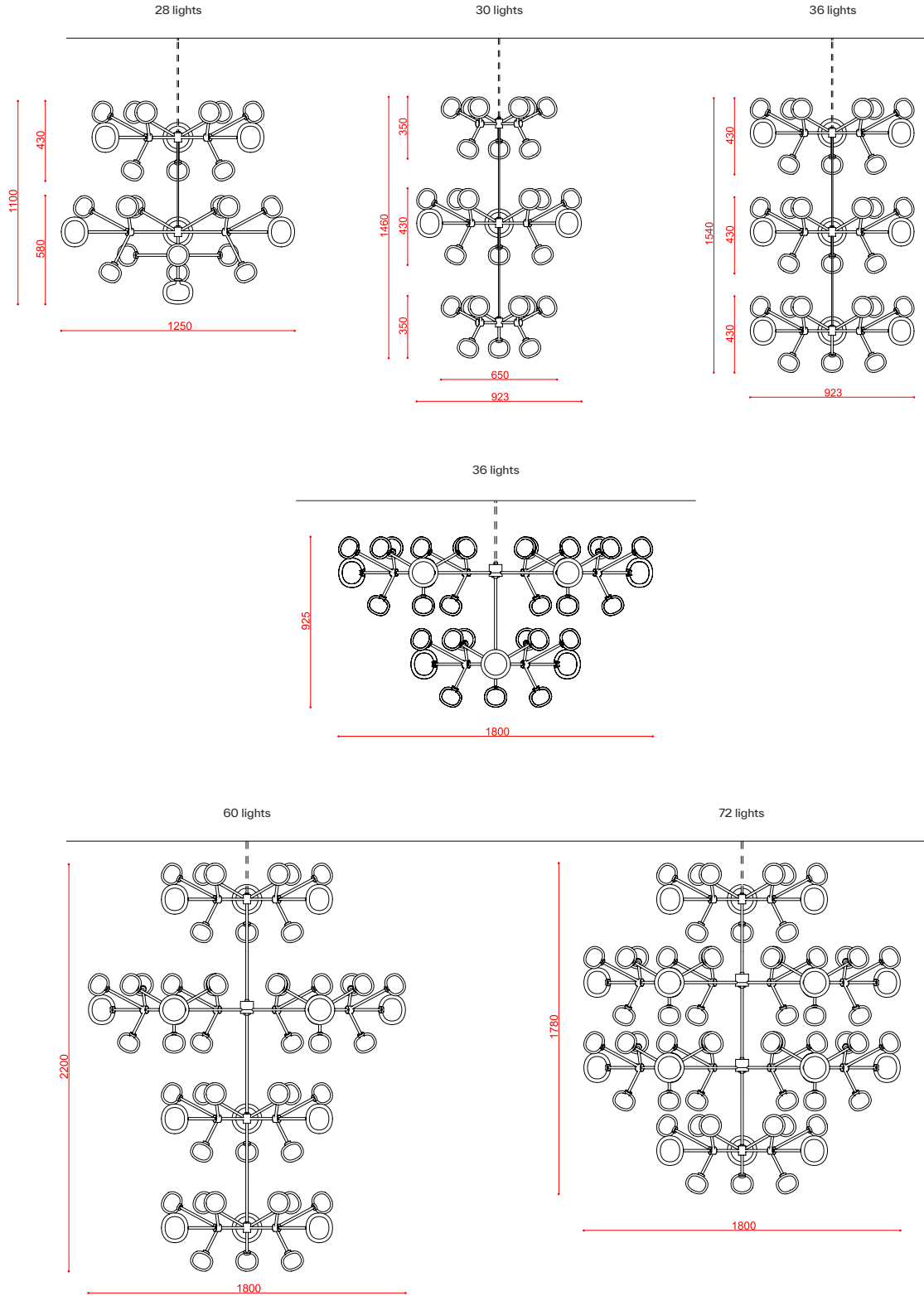
C2 Matte black + C41 Brushed brass + Clear glass
C2 Matte black + C48 Black chrome + Smoke glass



measurements in mm

Suggested application

NABILA Chandelier



NABILA

552.21 Pendant

Picture on page 150/151 of the catalogue

Design: Corrado Dotti

Description: A double-sided spherical bright object in borosilicate glass makes these lamps available in different compositions and a structure made by metal coated with epoxy powder enriched with brushed brass or black chrome details. Richness and sobriety all in one single element.

Materials: metal, brass, glass

Mounting: Pendant: cable length 150 cm. Canopy: Ø 13 cm included with bracket. Glass: 1 x Ø 12 cm. Light source: G9 bulb.

Nt. Wt.: 0,8 kg / 1,8 lb

Class: Degree of protection IP40, insulation class 1.

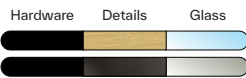
Note: 220/240V version available on request.

Max dimensions bulb (excluded):

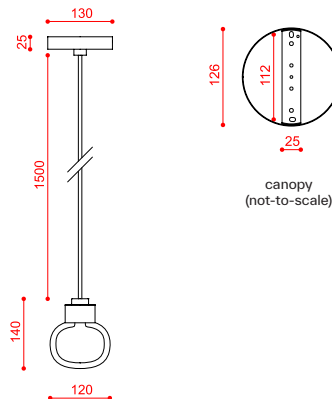


UL US CE IP40

code	voltage	nominal flux	dimmiability	finishes	cable (cm)	dimensions (cm)	recommended LED bulb	USD
552.21	110/120V	/	according to bulb	C2 + C41 + clear	150	H 14 x Ø 12	1 x G9 max 5W	\$549.00
552.21	110/120V	/	according to bulb	C2 + C48 + smoke	150	H 14 x Ø 12	1 x G9 max 5W	\$699.00



C2 Matte black + C41 Brushed brass + Clear glass
C2 Matte black + C48 Black chrome + Smoke glass



measurements in mm

NABILA

552.22 Pendant

Picture on page 150 of the catalogue

Design: Corrado Dotti

Description: A double-sided spherical bright object in borosilicate glass makes these lamps available in different compositions and a structure made by metal coated with epoxy powder enriched with brushed brass or black chrome details. Richness and sobriety all in one single element.

Materials: metal, brass, glass

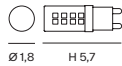
Mounting: Pendant: cable length 150 cm. Canopy: Ø 13 cm included with bracket. Glass: 1 x Ø 16 cm. Light source: G9 bulb.

Nt. Wt.: 1 kg / 2,2 lb

Class: Degree of protection IP40, insulation class 1.

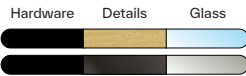
Note: 220/240V version available on request.

Max dimensions bulb (excluded):

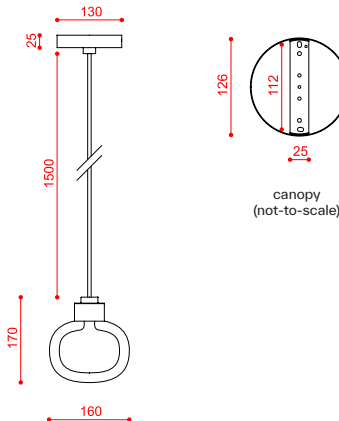


UL US CE IP40

code	voltage	nominal flux	dimmiability	finishes	cable (cm)	dimensions (cm)	recommended LED bulb	USD
552.22	110/120V	/	according to bulb	C2 + C41 + clear	150	H 17 x Ø 16	1 x G9 max 5W	\$649.00
552.22	110/120V	/	according to bulb	C2 + C48 + smoke	150	H 17 x Ø 16	1 x G9 max 5W	\$779.00



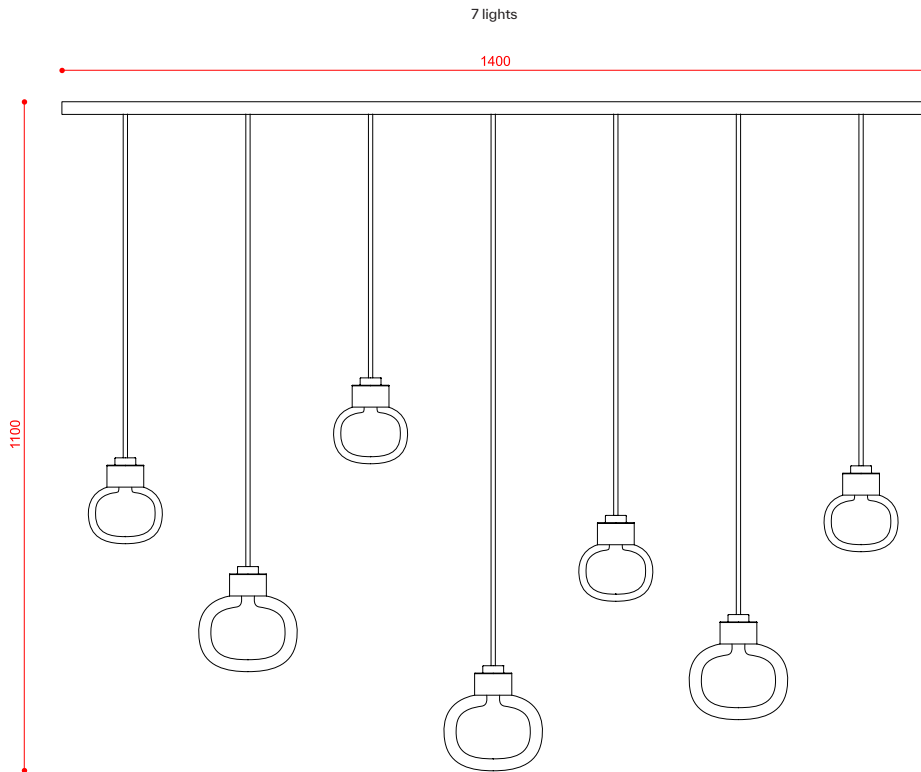
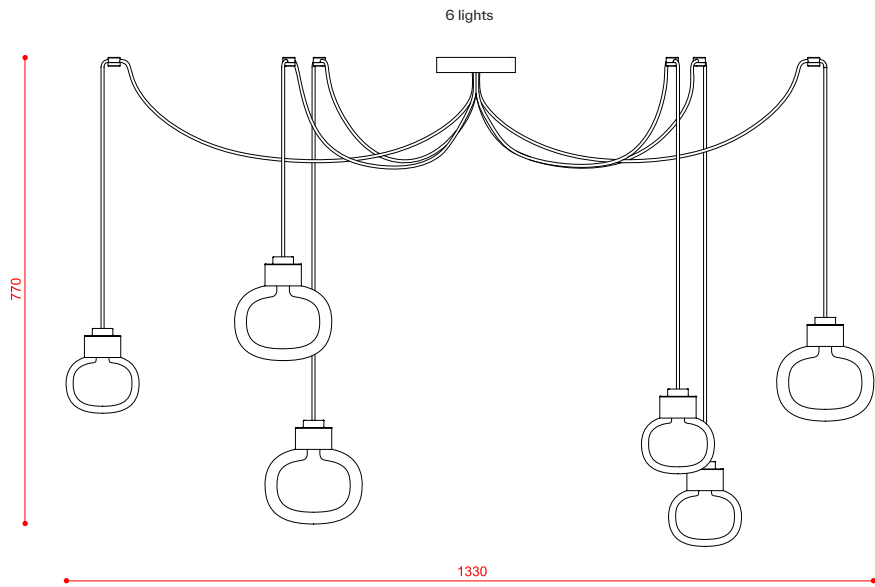
C2 Matte black + C41 Brushed brass + Clear glass
 C2 Matte black + C48 Black chrome + Smoke glass



measurements in mm

Suggested application

NABILA Pendant



NABILA

552.32 Side Table

Picture on page 154/155 of the catalogue

Design: Corrado Dotti

Description: A double-sided spherical bright object in borosilicate glass makes these lamps available in different compositions and a structure made by metal coated with epoxy powder enriched with brushed brass or black chrome details. Richness and sobriety all in one single element.

Materials: metal, brass, glass

Mounting: Table: cable length 150 cm. Plug: type A. On/off switch: 50 cm from the base on black fabric cable. Glass: 1 x Ø 16 cm. Light source: G9 bulb.

Nt. Wt.: 0,6 kg / 1,3 lb

Class: Degree of protection IP40, insulation class 2.

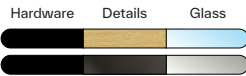
Note: Dimmer version available.
220/240V version available on request.
Max dimensions bulb (excluded):



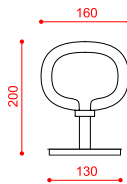
CE IP40



code	voltage	nominal flux	dimmiability	finishes	cable (cm)	dimensions (cm)	recommended LED bulb	USD
552.32	110/120V	/	/	C2 + C41 + clear	150	H 20 x Ø 16	1 x G9 max 5W	\$629.00
552.32	110/120V	/	/	C2 + C48 + smoke	150	H 20 x Ø 16	1 x G9 max 5W	\$749.00



C2 Matte black + C41 Brushed brass + Clear glass
C2 Matte black + C48 Black chrome + Smoke glass



measurements in mm

NABILA

552.33 Table

Picture on page 153 of the catalogue

Design: Corrado Dotti

Description: A double-sided spherical bright object in borosilicate glass makes these lamps available in different compositions and a structure made by metal coated with epoxy powder enriched with brushed brass or black chrome details. Richness and sobriety all in one single element.

Materials: metal, brass, glass

Mounting: Table: cable length 150 cm. Plug: type B. On/off switch: 50 cm from the base on black fabric cable. Glasses: 3 x Ø 12 cm. Light source: G9 bulb.

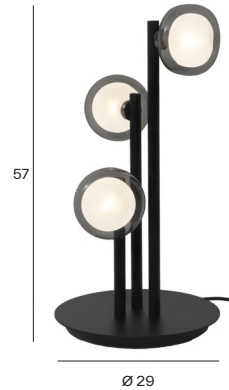
Nt. Wt.: 4 kg / 8,8 lb

Class: Degree of protection IP40, insulation class 1.

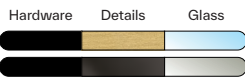
Note: 220/240V version available on request.
Dimmer version available on request.
Max dimensions bulb (excluded):



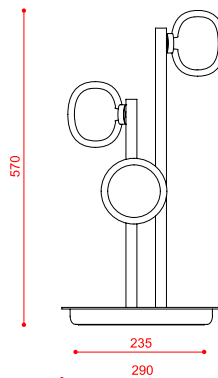
CE \oplus IP40



code	voltage	nominal flux	dimmability	finishes	cable (cm)	dimensions (cm)	recommended LED bulb	USD
552.33	110/120V	/	/	C2 + C41 + clear	150	H 57 x Ø 29	3 x G9 max 5W	\$1,599.00
552.33	110/120V	/	/	C2 + C48 + smoke	150	H 57 x Ø 29	3 x G9 max 5W	\$2,199.00



C2 Matte black + C41 Brushed brass + Clear glass
C2 Matte black + C48 Black chrome + Smoke glass



measurements in mm

NABILA

552.36 Side Table

Picture on page 149 of the catalogue

Design: Corrado Dotti

Description: A double-sided spherical bright object in borosilicate glass makes these lamps available in different compositions and a structure made by metal coated with epoxy powder enriched with brushed brass or black chrome details. Richness and sobriety all in one single element.

Materials: metal, brass, glass

Mounting: Table: cable length 150 cm. Plug: type A. On/off switch: 50 cm from the base on black fabric cable. Glass: 1 x Ø 16 cm. Light source: G9 bulb.

Nt. Wt.: 0,7 kg / 1,5 lb

Class: Degree of protection IP40, insulation class 2.

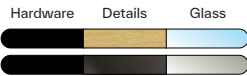
Note: Dimmer version available on request.
220/240V version available on request.
Max dimensions bulb (excluded):



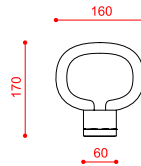
CE IP40



code	voltage	nominal flux	dimmability	finishes	cable (cm)	dimensions (cm)	recommended LED bulb	USD
552.36	110/120V	/	/	C2 + C41 + clear	150	H 17 x Ø 16	1 x G9 max 5W	\$549.00
552.36	110/120V	/	/	C2 + C48 + smoke	150	H 17 x Ø 16	1 x G9 max 5W	\$679.00



C2 Matte black + C41 Brushed brass + Clear glass
C2 Matte black + C48 Black chrome + Smoke glass



measurements in mm

NABILA

552.41 Wall/Ceiling

Picture on page 148 of the catalogue

Design: Corrado Dotti

Description: A double-sided spherical bright object in borosilicate glass makes these lamps available in different compositions and a structure made by metal coated with epoxy powder enriched with brushed brass or black chrome details. Richness and sobriety all in one single element.

Materials: metal, brass, glass

Mounting: Base: Ø 7 cm. Glass: 1 x Ø 12 cm. Light source: G9 bulb.

Nt. Wt.: 0,2 kg / 0,4 lb

Class: Degree of protection IP40, insulation class 1.

Note: Base for Junction Box included.
220/240V version available on request.

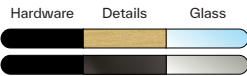
Max dimensions bulb (excluded):



Ø 12

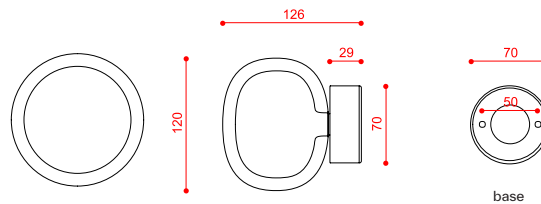
UL US CE IP40

code	voltage	nominal flux	dimmability	finishes	cable (cm)	dimensions (cm)	recommended LED bulb	USD
552.41	110/120V	/	according to bulb	C2 + C41 + clear	/	Ø 12	1 x G9 max 5W	\$389.00
552.41	110/120V	/	according to bulb	C2 + C48 + smoke	/	Ø 12	1 x G9 max 5W	\$429.00



C2 Matte black + C41 Brushed brass + Clear glass

C2 Matte black + C48 Black chrome + Smoke glass



base

measurements in mm

NABILA

552.42 Wall/Ceiling

Picture on page 25 of the catalogue

Design: Corrado Dotti

Description: A double-sided spherical bright object in borosilicate glass makes these lamps available in different compositions and a structure made by metal coated with epoxy powder enriched with brushed brass or black chrome details. Richness and sobriety all in one single element.

Materials: metal, brass, glass

Mounting: Base: \varnothing 7 cm. Glass: 1 x \varnothing 16 cm. Bulb: max 5W.

Nt. Wt.: 0,3 kg / 0,7 lb

Class: Degree of protection IP40, insulation class 1.

Note: Base for Junction Box included.
220/240V version available on request.

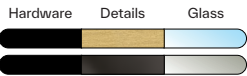
Max dimensions bulb (excluded):



\varnothing 16

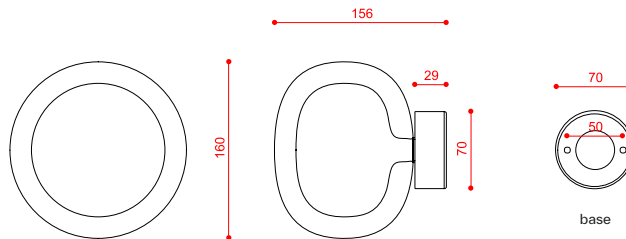
UL US CE IP40

code	voltage	nominal flux	dimmability	finishes	cable (cm)	dimensions (cm)	recommended LED bulb	USD
552.42	110/120V	/	according to bulb	C2 + C41 + clear	/	\varnothing 16	1 x G9 max 5W	\$499.00
552.42	110/120V	/	according to bulb	C2 + C48 + smoke	/	\varnothing 16	1 x G9 max 5W	\$549.00



C2 Matte black + C41 Brushed brass + Clear glass

C2 Matte black + C48 Black chrome + Smoke glass



measurements in mm

NABILA

552.66 Floor

Picture on page 152 of the catalogue

Design: Corrado Dotti

Description: A double-sided spherical bright object in borosilicate glass makes these lamps available in different compositions and a structure made by metal coated with epoxy powder enriched with brushed brass or black chrome details. Richness and sobriety all in one single element.

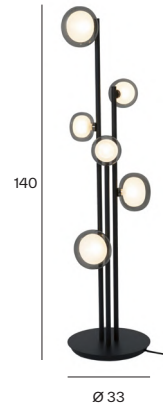
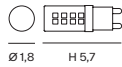
Materials: metal, brass, glass

Mounting: Floor: cable length 300 cm. Plug: type B. On/off switch: 80 cm from the base on black fabric cable. Glasses: 3 x Ø 12 cm; 3 x Ø 16 cm. Light source: G9 bulb.

Nt. Wt.: 10 kg / 22 lb

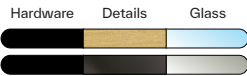
Class: Degree of protection IP40, insulation class 1.

Note: 220/240V version available on request.
Dimmer version available on request.
Max dimensions bulb (excluded):

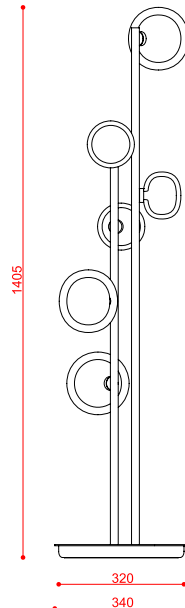


CE IP40

code	voltage	nominal flux	dimmiability	finishes	cable (cm)	dimensions (cm)	recommended LED bulb	USD
552.66	110/120V	/	/	C2 + C41 + clear	300	H 140 x Ø 33	6 x G9 max 5W	\$2,849.00
552.66	110/120V	/	/	C2 + C48 + smoke	300	H 140 x Ø 33	6 x G9 max 5W	\$3,499.00



C2 Matte black + C41 Brushed brass + Clear glass
C2 Matte black + C48 Black chrome + Smoke glass



measurements in mm

NABILA

552.73 Wall/Ceiling

Design: Corrado Dotti

Description: A double-sided spherical bright object in borosilicate glass makes these lamps available in different compositions and a structure made by metal coated with epoxy powder enriched with brushed brass or black chrome details. Richness and sobriety all in one single element.

Materials: metal, brass, glass

Mounting: Base: \varnothing 4 cm. Glasses: $3 \times \varnothing$ 12 cm. Light source: G9 bulb.

Nt. Wt.: 1 kg / 2,2 lb

Class: Degree of protection IP40, insulation class 1.

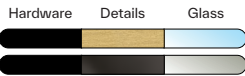
Note: Base for Junction Box included.
Custom base on request.
220/240V version available on request.
Max dimensions bulb (excluded):



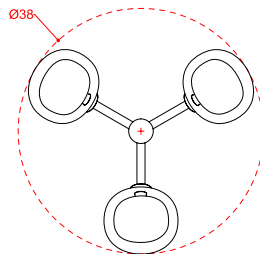
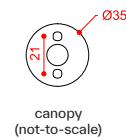
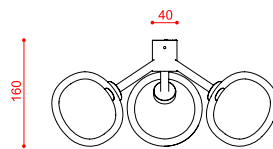
\varnothing 38

UL US CE IP40

code	voltage	nominal flux	dimmiability	finishes	cable (cm)	dimensions (cm)	recommended LED bulb	USD
552.73	110/120V	/	according to bulb	C2 + C41 + clear	/	D 16 x \varnothing 38	3 x G9 max 5W	\$1,229.00
552.73	110/120V	/	according to bulb	C2 + C48 + smoke	/	D 16 x \varnothing 38	3 x G9 max 5W	\$1,449.00



C2 Matte black + C41 Brushed brass + Clear glass
C2 Matte black + C48 Black chrome + Smoke glass



measurements in mm

NABILA

552.32FLAT Chandelier

Picture on page 143/144/145 of the catalogue

Design: Corrado Dotti

Description: A double-sided spherical bright object in borosilicate glass makes these lamps available in different compositions and a structure made by metal coated with epoxy powder enriched with brushed brass or black chrome details. Richness and sobriety all in one single element.

Materials: metal, brass, glass

Mounting: Chandelier: custom stem included (adjusted on site). Canopy: 3x3x79,5 cm included with fixing bracket. Glasses: 24 x Ø 12 cm; 8 x Ø 16 cm. Light source: G9 bulb.

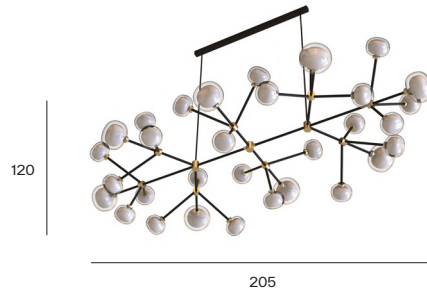
Nt. Wt.: 20 kg / 44,1 lb

Class: Degree of protection IP40, insulation class 1.

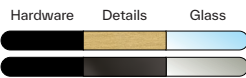
Note: Custom canopy on request.
Canopy for Junction Box included.
Lamp version with cables on request.
220/240V version available on request.
Max dimensions bulb (excluded):



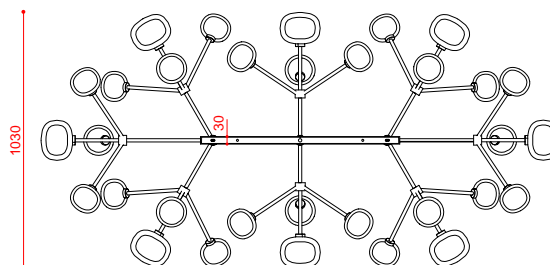
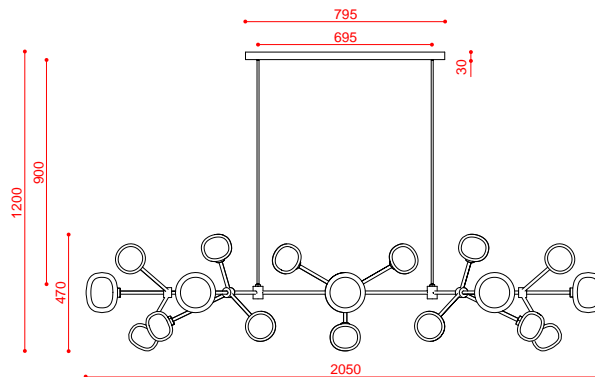
UL US CE IP40



code	voltage	nominal flux	dimmiability	finishes	stem included (cm)	dimensions (cm)	recommended LED bulb	USD
552.32FLAT	110/120V	/	according to bulb	C2 + C41 + clear	90	H 120 x L 205	32 x G9 max 5W	\$12,399.00
552.32FLAT	110/120V	/	according to bulb	C2 + C48 + smoke	90	H 120 x L 205	32 x G9 max 5W	\$14,899.00



C2 Matte black + C41 Brushed brass + Clear glass
C2 Matte black + C48 Black chrome + Smoke glass



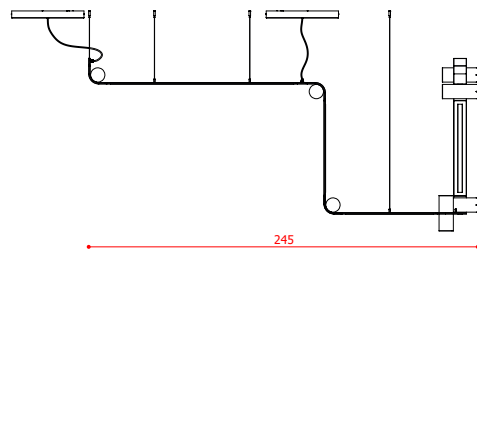
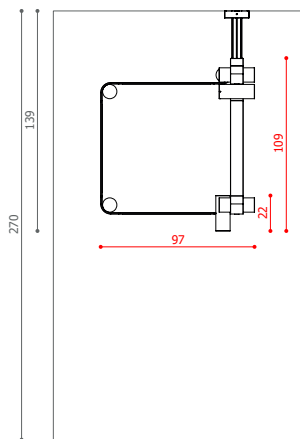
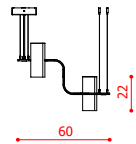
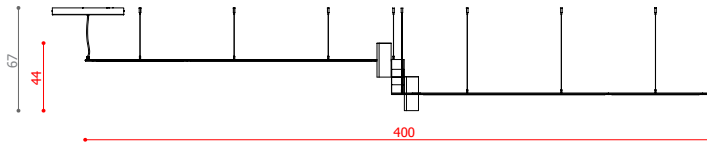
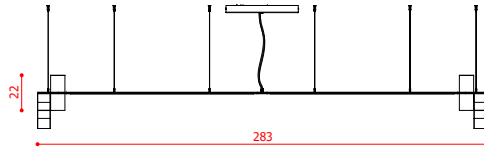
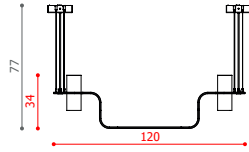
measurements in mm

Suggested application

*Ask for price list of Nastro System

NASTRO SYSTEM

Picture on page 217/218/221/222 of the catalogue

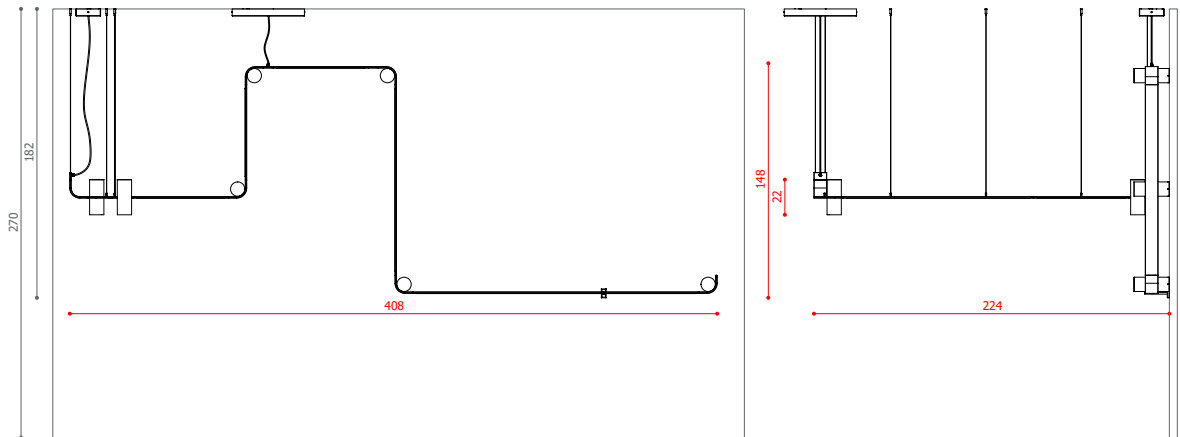
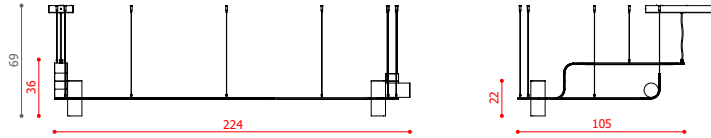
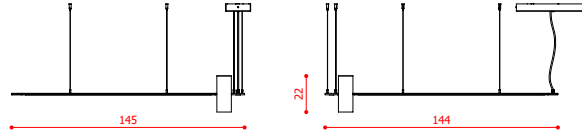


on project only

Suggested application

*Ask for price list of Nastro System

NASTRO SYSTEM



on project only

NASTRO

563.21 Pendant

Picture on page 196/197 of the catalogue

Design: Studiopepe

Description: The suspension sees an epoxy powder coated aluminum band structure accompanied by a cylindric weight that counterbalances its flexuosity, in a refined visual balance. The light source consists of a dimmable LED strip; the cylinders are available in epoxy powder coated metal, in wood and in brushed brass.

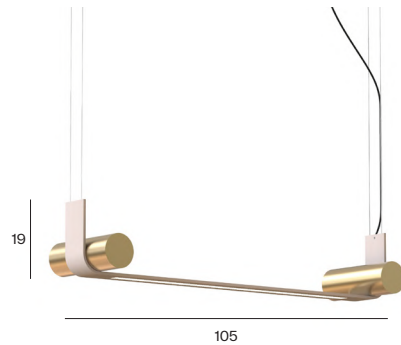
Materials: aluminum, brass, wood

Mounting: Pendant: 125 cm steel cable, electric cable length 150 cm. Canopy: 26x7x4 cm included with bracket. Light source: Integrated LED.

Nt. Wt.: 4 kg / 8,9 lb

Class: Degree of protection IP40, insulation class 1.

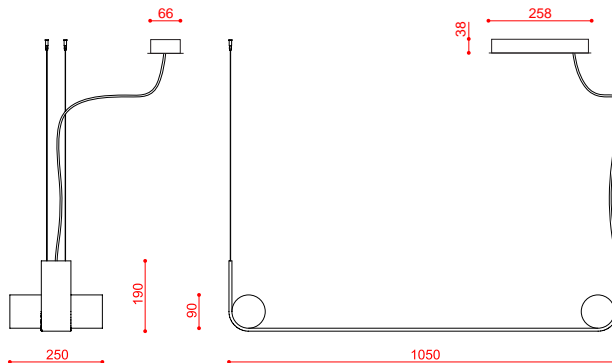
Note: Driver on board.
Canopy for Junction Box included.
Decentralized canopy.
Available with indirect light.
DALI version on request.
220/240V version available on request.



CE IP40

code	voltage	nominal flux	dimmability	hardware finishes + cylinder	cable (cm)	dimensions (cm)	LED	USD
563.21	110/120V	4500 lm	phase cut	all color combos	125	H 19 x L 105	35W 2700K	\$4,799.00

Hardware	Cylinder	
		C22 Beige
		C23 Eggshell
		C25 Terracotta
		C26 Greenish-grey
		C74 Sand black
		C41 Brushed brass
		W01 Ash

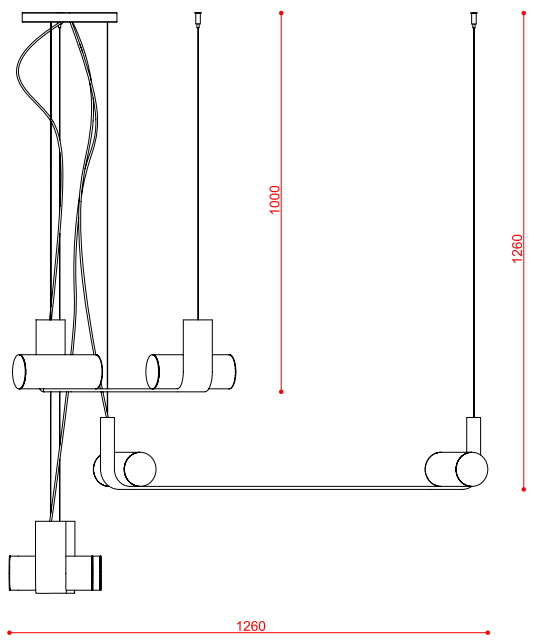
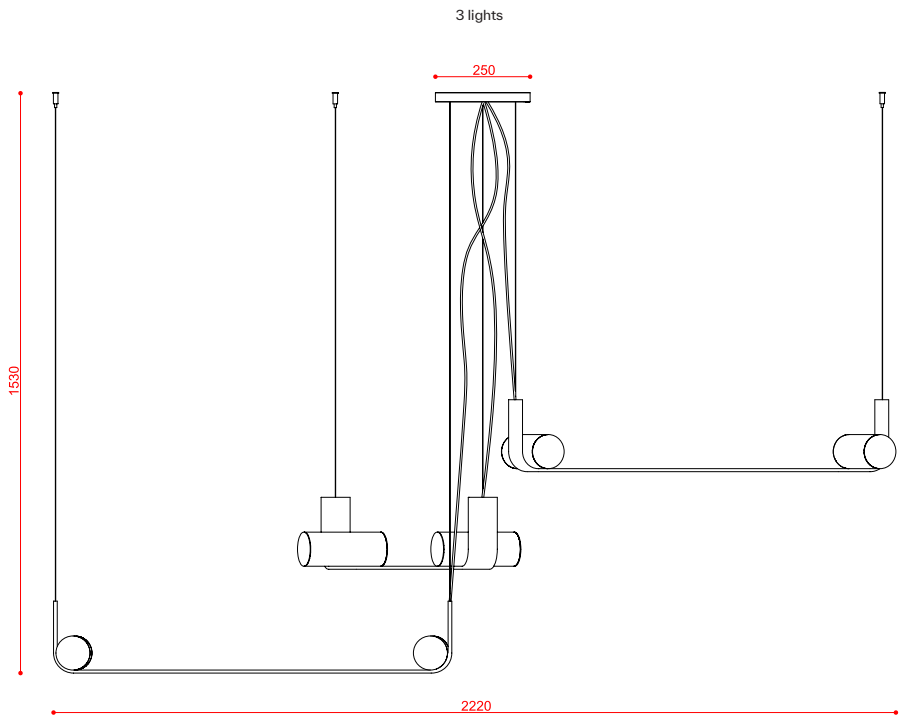


canopy
(not-to-scale)
driver located in the canopy

measurements in mm

Suggested application

NASTRO Pendant



NASTRO

563.22 Pendant

Picture on page 194/195 of the catalogue

Design: Studiopepe

Description: The suspension sees an epoxy powder coated aluminum band structure accompanied by a cylindric weight that counterbalances its flexuosity, in a refined visual balance. The light source consists of a dimmable LED strip; the cylinders are available in epoxy powder coated metal, in wood and in brushed brass.

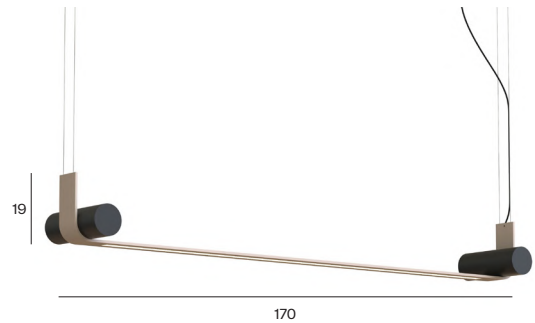
Materials: aluminum, brass, wood

Mounting: Pendant: 125 cm steel cable, electric cable length 150 cm. Canopy: 26x7x4 cm included with bracket. Light source: Integrated LED.

Nt. Wt.: 5,3 kg / 11,7 lb

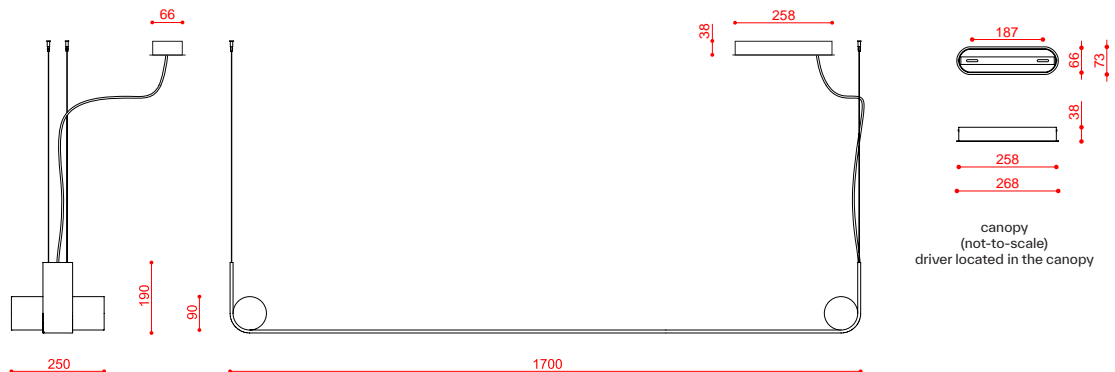
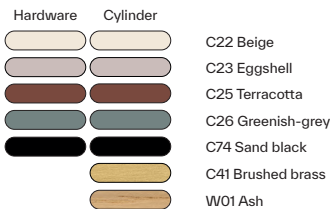
Class: Degree of protection IP40, insulation class 1.

Note: Decentralized canopy.
Canopy for Junction Box included.
Driver on board.
Available with indirect light.
DALI version on request.
220/240V version available on request.



CE IP40

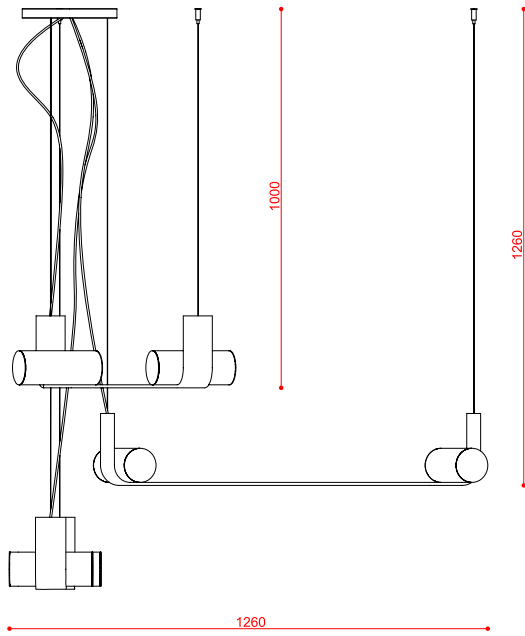
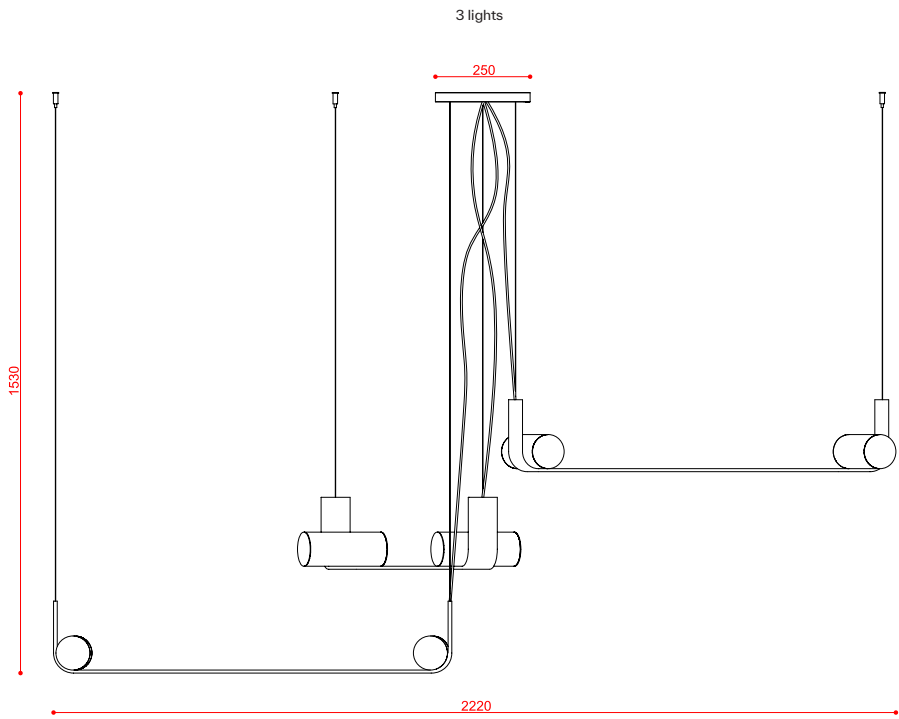
code	voltage	nominal flux	dimmability	hardware finishes + cylinder	cable (cm)	dimensions (cm)	LED	USD
563.22	110/120V	8000 lm	phase cut	all color combos	125	H 19 x L 170	60W 2700K	\$5,849.00
563.26 indirect	110/120V	8000 lm	phase cut	all color combos	125	H 19 x L 170	60W 2700K	\$5,849.00



measurements in mm

Suggested application

NASTRO Pendant



NASTRO

563.31 Table

Picture on page 182/183/184/185 of the catalogue

Design: Studiopepe

Description: The Nastro table lamps sees an epoxy powder coated aluminum band structure accompanied by a cylindric weight that counterbalances its flexuosity, in a refined visual balance. The light source consists of a dimmable LED strip; the cylinders are available in epoxy powder coated metal, in wood, in brushed brass and in raw concrete or marble effect.

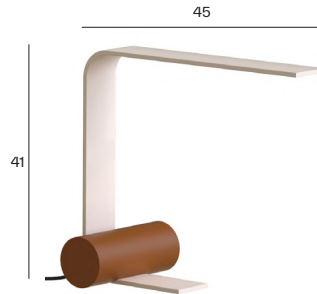
Materials: aluminum, brass, wood, concrete

Mounting: Table: cable length 150 cm. Plug: type A, G, C. Switch on: touch dimmer on the structure. Light source: Integrated LED.

Nt. Wt.: 2,6 kg (+ 2 kg for M01) / 5,7 lb (+ 4,4 lb for M01)

Class: Degree of protection IP40, insulation class 2.

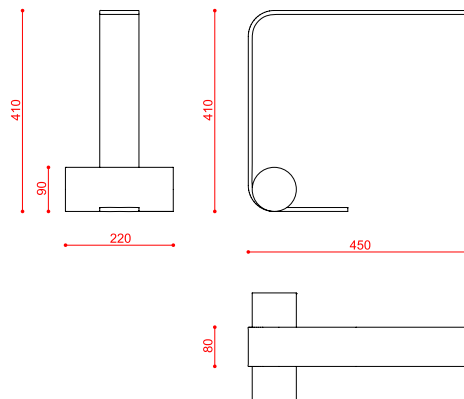
Note: Touch dimmer on board.
220/240V version available on request.



CE IP40

code	voltage	nominal flux	dimmability	hardware finishes + cylinder	cable (cm)	dimensions (cm)	LED	USD
563.31	110/120V	2000 lm	on board	all color combos (no M01)	150	H 41 x L 45	15W 2700K	\$1,899.00
563.31	110/120V	2000 lm	on board	all color combos + M01	150	H 41 x L 45	15W 2700K	\$2,999.00

Hardware	Cylinder	
		C22 Beige
		C23 Eggshell
		C25 Terracotta
		C26 Greenish-grey
		C74 Sand black
		C41 Brushed brass
		W01 Ash
		M01 Concrete



measurements in mm

NASTRO

563.32 Table

Picture on page 187 of the catalogue

Design: Studiopepe

Description: The Nastro table lamps sees an epoxy powder coated aluminum band structure accompanied by a cylindrical weight that counterbalances its flexuosity, in a refined visual balance. The light source consists of a dimmable LED strip; the cylinders are available in epoxy powder coated metal, in wood, in brushed brass and in raw concrete or marble effect.

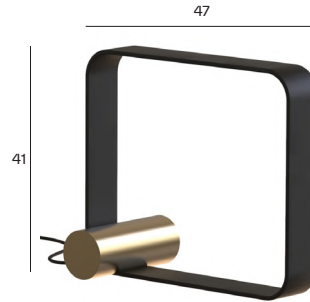
Materials: aluminum, brass, wood, concrete

Mounting: Table: cable length 150 cm. Plug: type A, G, C. Switch on: touch dimmer on the structure. Light source: Integrated LED.

Nt. Wt.: 3,5 kg (+ 2 kg for M01) / 7,7 lb (+ 4,4 lb for M01)

Class: Degree of protection IP40, insulation class 2.

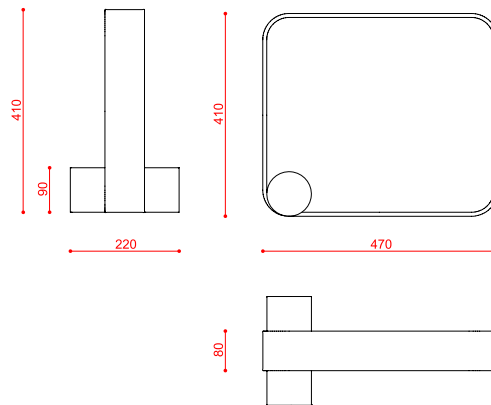
Note: Touch dimmer on board.
220/240V version available on request.



CE IP40

code	voltage	nominal flux	dimmability	hardware finishes + cylinder	cable (cm)	dimensions (cm)	LED	USD
563.32	110/120V	2000 lm	on board	all color combos (no M01)	150	H 41 x L 47	15W 2700K	\$2,299.00

Hardware	Cylinder	
		C22 Beige
		C23 Eggshell
		C25 Terracotta
		C26 Greenish-grey
		C74 Sand black
		C41 Brushed brass
		W01 Ash
		M01 Concrete



measurements in mm

NASTRO

563.41 Wall

Picture on page 210/211 of the catalogue

Design: Studiopepe

Description: The Nastro wall lamps sees an epoxy powder coated aluminum band structure accompanied by a cylindric weight that counterbalances its flexuosity, in a refined visual balance. The light source consists of a dimmable LED strip; the cylinders are available in epoxy powder coated metal, in wood, in brushed brass and in raw concrete or marble effect.

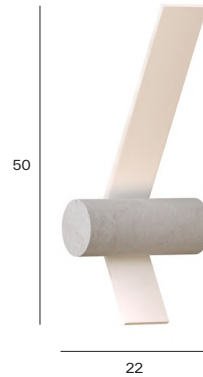
Materials: aluminum, brass, wood, concrete, metal

Mounting: Base: 6 x 6 cm included with bracket. Remote driver dimensions: H 2 x L 16 x W 4,5 cm. Light source: Integrated LED.

Nt. Wt.: 2,1 kg (+ 2 kg for M01) / 4,7 lb (+ 4,4 lb for M01)

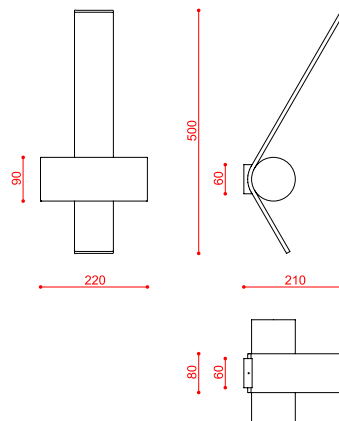
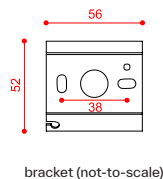
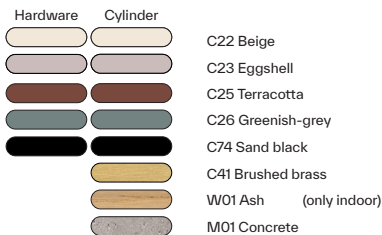
Class: Degree of protection IP40, insulation class 3.

Note: Base for Junction Box included.
Remote driver included.
Installable upside down.
220/240V version available on request.
DALI version on request.



CE IP40

code	voltage	nominal flux	dimmability	hardware finishes + cylinder	cable (cm)	dimensions (cm)	LED	USD
563.41	110/120V	1700 lm	phase cut	all color combos (no M01)	/	H 50 x D 21	13W 2700K	\$1,899.00
563.41	110/120V	1700 lm	phase cut	all color combos + M01	/	H 50 x D 21	13W 2700K	\$2,999.00



measurements in mm

NASTRO

563.42 Wall

Picture on page 213 of the catalogue

Design: Studiopepe

Description: The Nastro wall lamps sees an epoxy powder coated aluminum band structure accompanied by a cylindric weight that counterbalances its flexuosity, in a refined visual balance. The light source consists of a dimmable LED strip; the cylinders are available in epoxy powder coated metal, in wood and in brushed brass.

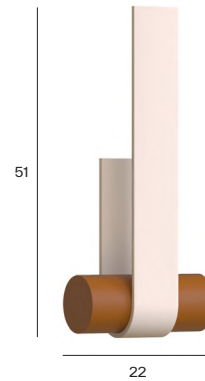
Materials: aluminum, brass, wood, metal

Mounting: Base: 18 x 6 cm included with bracket. Remote driver dimensions: H 2 x L 16 x W 4,5 cm. Light source: Integrated LED.

Nt. Wt.: 2,2 kg / 4,9 lb

Class: Degree of protection IP40, insulation class 3.

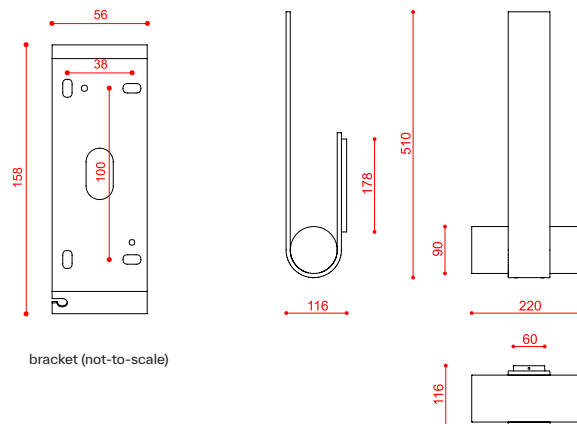
Note: Base for Junction Box included.
Remote driver included.
220/240V version available on request.
DALI version on request.



CE IP40

code	voltage	nominal flux	dimmability	hardware finishes + cylinder	cable (cm)	dimensions (cm)	LED	USD
563.42	110/120V	2300 lm	phase cut	all color combos	/	H 51 x D 12	17W 2700K	~ 1,899.00

Hardware	Cylinder	
		C22 Beige
		C23 Eggshell
		C25 Terracotta
		C26 Greenish-grey
		C74 Sand black
		C41 Brushed brass
		W01 Ash (only indoor)



measurements in mm

NASTRO

563.47 Wall

Picture on page 209 of the catalogue

Design: Studiopepe

Description: The Nastro wall lamps sees an epoxy powder coated aluminum band structure accompanied by a cylindric weight that counterbalances its flexuosity, in a refined visual balance. The light source consists of a dimmable LED strip; the cylinders are available in epoxy powder coated metal, in wood and in brushed brass.

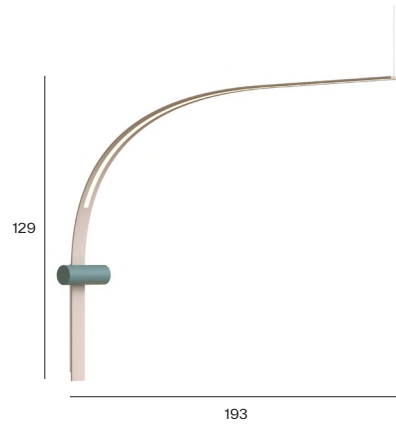
Materials: aluminum, brass, wood, metal

Mounting: Wall: 125 cm steel cable. Base: 50 x 7 cm included with bracket. Remote driver dimensions: H 2 x L 16 x W 4,5 cm. Light source: Integrated LED.

Nt. Wt.: 5,7 kg / 12,6 lb

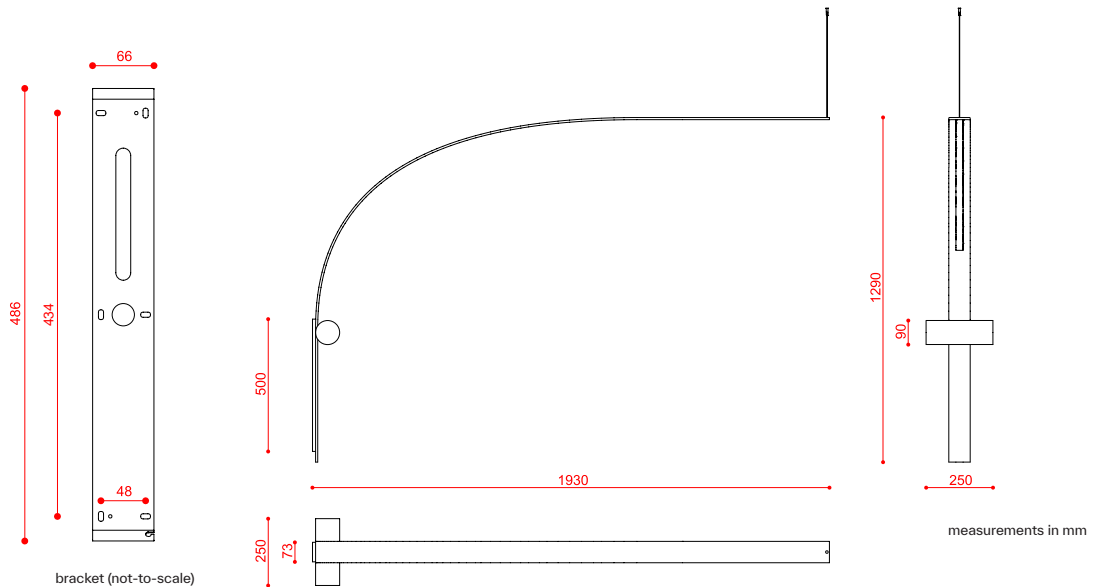
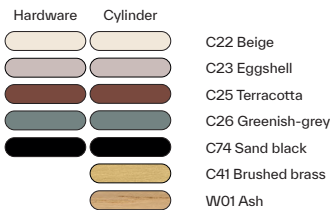
Class: Degree of protection IP40, insulation class 3.

Note: Base for Junction Box included.
Remote driver included.
Custom steel cable length available.
220/240V version available on request.
DALI version on request.



CE IP40

code	voltage	nominal flux	dimmiability	hardware finishes + cylinder	cavo acciaio (cm)	dimensions (cm)	LED	USD
563.47	110/120V	6000 lm	phase cut	all color combos	125	H 129 x D 193	43W 2700K	\$6750.00



NASTRO

563.61 Floor

Picture on page 204/205 of the catalogue

Design: Studiopepe

Description: The Nastro floor lamps sees an epoxy powder coated aluminum band structure accompanied by a cylindrical weight that counterbalances its flexuosity, in a refined visual balance. The light source consists of a dimmable LED strip; the cylinders are available in epoxy powder coated metal, in wood and in brushed brass.

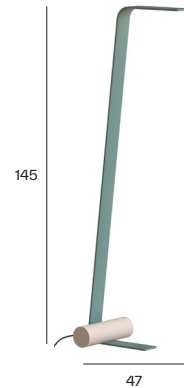
Materials: aluminum, brass, wood, metal

Mounting: Floor: cable length 300 cm. Plug: type A, G, C. Dimmer: 80 cm from the base on black fabric cable. Light source: Integrated LED.

Nt. Wt.: 5,2 kg / 11,5 lb

Class: Degree of protection IP40, insulation class 2.

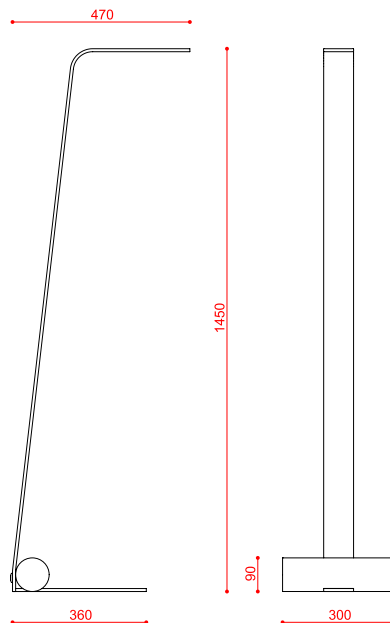
Note: 220/240V version available on request.



CE IP40

code	voltage	nominal flux	dimmiability	hardware finishes + cylinder	cable (cm)	dimensions (cm)	LED	USD
563.61	110/120V	1100 lm	dimmer on cable	all color combos	300	H 145 x D 47	9W 2700K	\$4,129.00

Hardware	Cylinder	
		C22 Beige
		C23 Eggshell
		C25 Terracotta
		C26 Greenish-grey
		C74 Sand black
		C41 Brushed brass
		W01 Ash



measurements in mm

NASTRO

563.62 Floor

Picture on page 188/189/193 of the catalogue

Design: Studiopepe

Description: The Nastro floor lamps sees an epoxy powder coated aluminum band structure accompanied by a cylindric weight that counterbalances its flexuosity, in a refined visual balance. The light source consists of a dimmable LED strip; the cylinders are available in epoxy powder coated metal, in wood, in brushed brass and in raw concrete or marble effect.

Materials: aluminum, brass, wood, concrete, metal

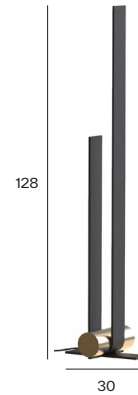
Mounting: Floor: cable length 300 cm. Plug: type B. Dimmer: 80 cm from the base on black fabric cable. Light source: Integrated LED.

Nt. Wt.: 5,6 kg (+ 2 kg for M01) / 12,3 lb (+ 4,4 lb for M01)

Class: Degree of protection IP40, insulation class 1.

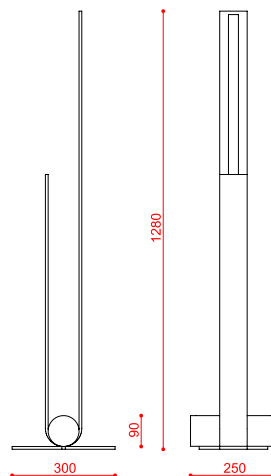
Note: IP44 outdoor version available.
220/240V version available on request.

CE ⊕ IP40



code	voltage	nominal flux	dimmability	hardware finishes + cylinder	cable (cm)	dimensions (cm)	LED	USD
563.62	110/120V	4900 lm	dimmer on cable	all color combos (no M01)	300	H 128 x D 30	50W 2700K	\$4,499.00

Hardware	Cylinder	
		C22 Beige
		C23 Eggshell
		C25 Terracotta
		C26 Greenish-grey
		C74 Sand black
		C41 Brushed brass
		W01 Ash
		M01 Concrete



measurements in mm

NASTRO

563.64 Floor

Picture on page 200/202 of the catalogue

Design: Studiopepe

Description: The Nastro floor lamps sees an epoxy powder coated aluminum band structure accompanied by a cylindric weight that counterbalances its flexuosity, in a refined visual balance. The light source consists of a dimmable LED strip; the cylinders are available in epoxy powder coated metal, in wood and in brushed brass.

Materials: aluminum, brass, wood, metal

Mounting: Floor: cable length 300 cm. Plug: type B. Dimmer: 80 cm from the base on black fabric cable. Light source: Integrated LED.

Nt. Wt.: 10 kg / 22 lb

Class: Degree of protection IP40, insulation class 1.

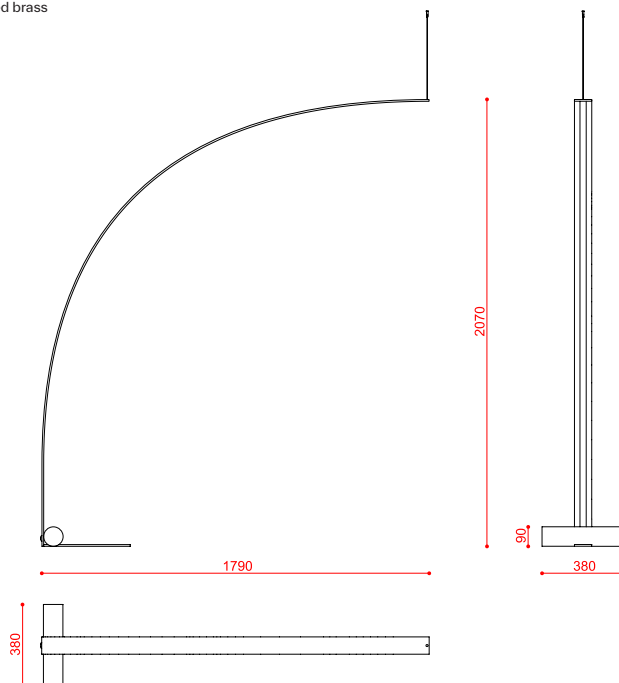
Note: Custom steel cable length available.
220/240V version available on request.

CE ⊕ IP40



code	voltage	nominal flux	dimmability	hardware finishes + cylinder	cable (cm)	dimensions (cm)	LED	USD
563.64	110/120V	9500 lm	dimmer on cable	all color combos	300	H 207 x D 179	67W 2700K	\$8,999.00

Hardware	Cylinder	
		C22 Beige
		C23 Eggshell
		C25 Terracotta
		C26 Greenish-grey
		C74 Sand black
		C41 Brushed brass
		W01 Ash



measurements in mm

NASTRO

563.11 Pendant

Picture on page 198/199 of the catalogue

Design: Studiopepe

Description: The suspension sees an epoxy powder coated aluminum band structure accompanied by a cylindric weight that counterbalances its flexuosity, in a refined visual balance. The light source consists of a LED bulb; the cylinders are available in epoxy powder coated metal and in brushed brass.

Materials: aluminum, brass, metal

Mounting: Pendant: cable length 150 cm. Canopy: Ø 13 cm included with bracket. Adjustable direct light: 200°. Light source: E27 bulb.

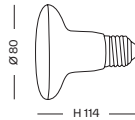
Nt. Wt.: 2,8 kg / 6,2 lb

Class: Degree of protection IP20, insulation class 1.

Note: 220/240V version available on request.
Max dimensions bulb (excluded):

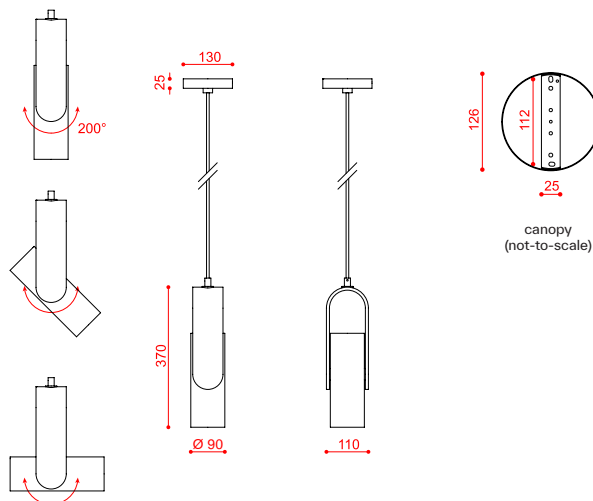


UL CE IP20



code	voltage	nominal flux	dimmiability	hardware finishes + cylinder	cable (cm)	dimensions (cm)	recommended LED bulb	USD
563.11	110/120V	/	according to bulb	all color combos	150	H 37 x L 11	1 x E27 R80 12W	\$1,849.00

Hardware	Cylinder	
		C22 Beige
		C23 Eggshell
		C25 Terracotta
		C26 Greenish-grey
		C74 Sand black
		C41 Brushed brass



measurements in mm

OSMAN

560.12 Chandelier

Design: Corrado Dotti

Description: Family of lamps with a rational design enriched by precious metallic details and double-wall cylindrical diffusers that give a fascinating and harmonious light diffusion. The particular orthogonal structure and the well-balanced proportions give these lamps a strong avantgarde sign while maintaining a formal, familiar and refined appearance.

Materials: metal, brass, glass

Mounting: Chandelier: 60/90 cm stems included (adjusted on site).
Canopy: Ø 13 cm included with bracket. Light source: E12 bulb.

Nt. Wt.: 7,6 kg / 16,8 lb

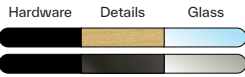
Class: Degree of protection IP20, insulation class 1.

Note: Custom stem on request (35 cm min.).
Black fabric cable version on request.
Custom canopy on request.
Sloped ceiling canopy on request.
220/240V version available on request.
Max dimensions bulb (excluded):

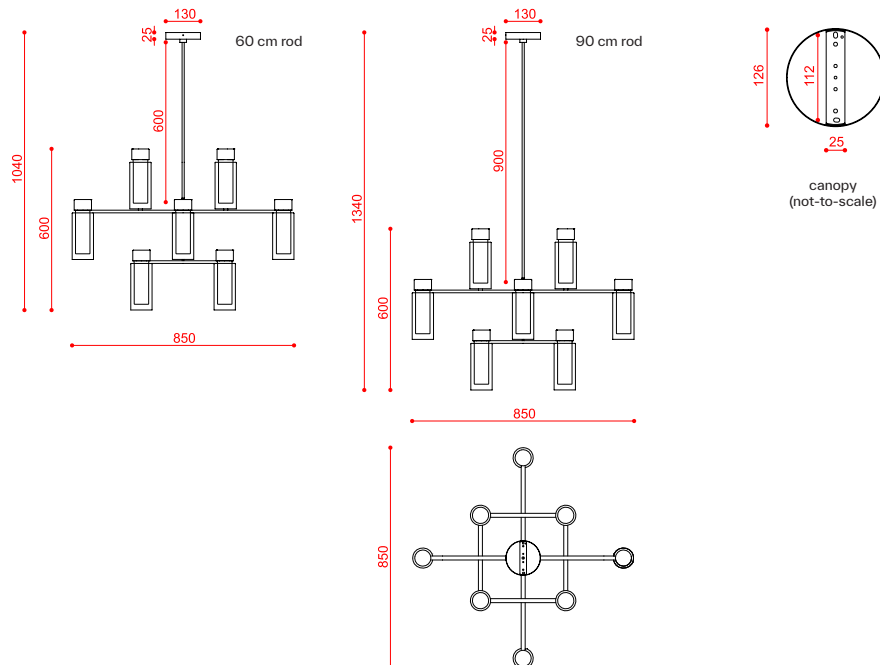


UL CE IP20

code	voltage	nominal flux	dimmability	finishes	stem included (cm) adj. on site	dimensions (cm)	recommended LED bulb	USD
560.12	110/120V	/	according to bulb	C2 + C41 + clear	60/90	H 60 x L 85	12 x E12 8W 500 lm	\$7,929.00
560.12	110/120V	/	according to bulb	C2 + C48 + smoke	60/90	H 60 x L 85	12 x E12 8W 500 lm	\$9,499.00



C2 Matte black + C41 Brushed brass + Clear glass
C2 Matte black + C48 Black chrome + Smoke glass



measurements in mm

OSMAN

560.16 Chandelier

Picture on page 227 of the catalogue

Design: Corrado Dotti

Description: Family of lamps with a rational design enriched by precious metallic details and double-wall cylindrical diffusers that give a fascinating and harmonious light diffusion. The particular orthogonal structure and the well-balanced proportions give these lamps a strong avantgarde sign while maintaining a formal, familiar and refined appearance.

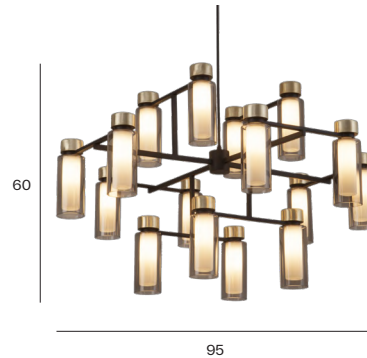
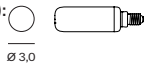
Materials: metal, brass, glass

Mounting: Chandelier: 60/90 cm stems included (adjusted on site). Canopy: Ø 13 cm included with bracket. Light source: E12 bulb.

Nt. Wt.: 11,3 kg / 24,9 lb

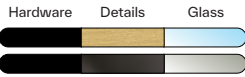
Class: Degree of protection IP20, insulation class 1.

Note: Custom stem on request (35 cm min.).
Black fabric cable version on request.
Custom canopy on request.
Sloped ceiling canopy on request.
220/240V version available on request.
Max dimensions bulb (excluded):

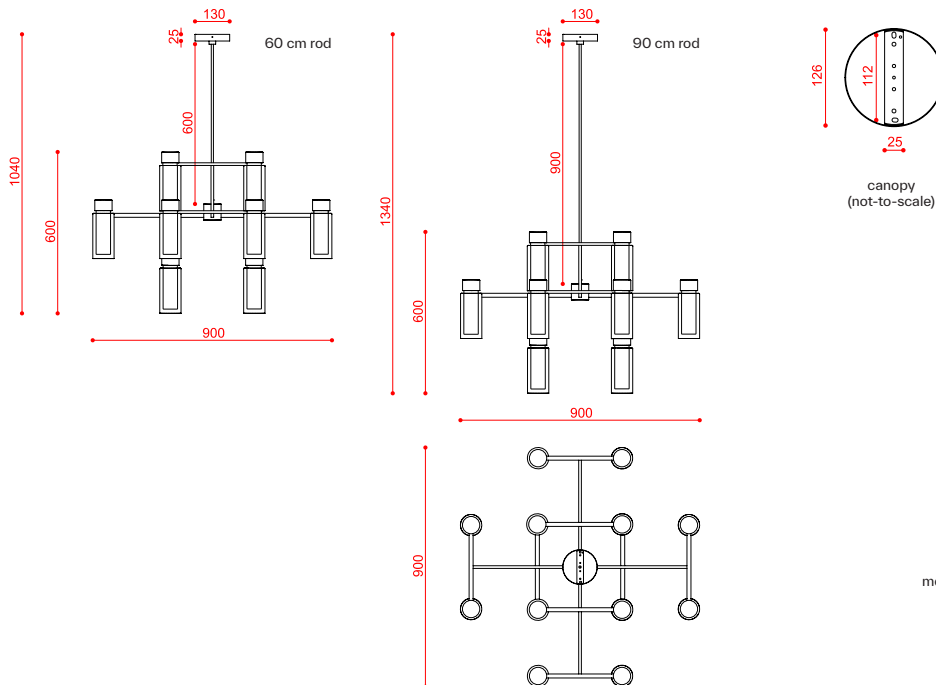


UL CE IP20

code	voltage	nominal flux	dimmability	finishes	stem included (cm) adj. on site	dimensions (cm)	recommended LED bulb	USD
560.16	110/120V	/	according to bulb	C2 + C41 + clear	60/90	H 60 x L 95	16 x E12 8W 500 lm	\$9,999.00
560.16	110/120V	/	according to bulb	C2 + C48 + smoke	60/90	H 60 x L 95	16 x E12 8W 500 lm	\$11,999.00



C2 Matte black + C41 Brushed brass + Clear glass
C2 Matte black + C48 Black chrome + Smoke glass



OSMAN

560.17 Chandelier

Picture on page 230 of the catalogue

Design: Corrado Dotti

Description: Family of lamps with a rational design enriched by precious metallic details and double-wall cylindrical diffusers that give a fascinating and harmonious light diffusion. The particular orthogonal structure and the well-balanced proportions give these lamps a strong avantgarde sign while maintaining a formal, familiar and refined appearance.

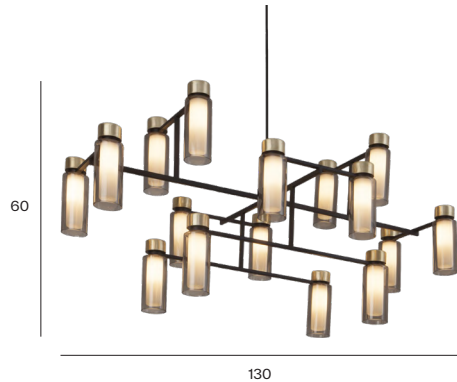
Materials: metal, brass, glass

Mounting: Chandelier: 60/90 cm stems included (adjusted on site). Canopy: Ø 13 cm included with bracket. Light source: E12 bulb.

Nt. Wt.: 11,7 kg / 25,8 lb

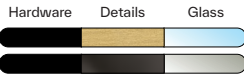
Class: Degree of protection IP20, insulation class 1.

Note: Custom stem on request (35 cm min.).
Black fabric cable version on request.
Custom canopy on request.
Sloped ceiling canopy on request.
220/240V version available on request.
Max dimensions bulb (excluded):

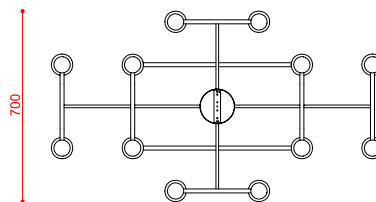
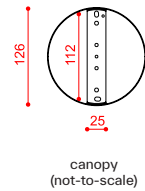
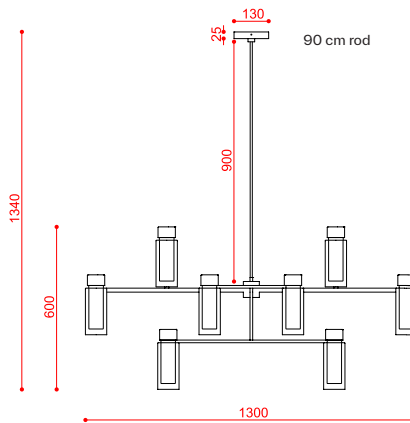
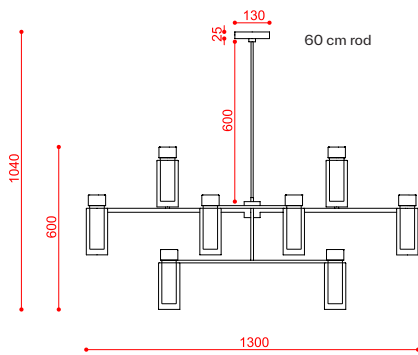


UL CE IP20

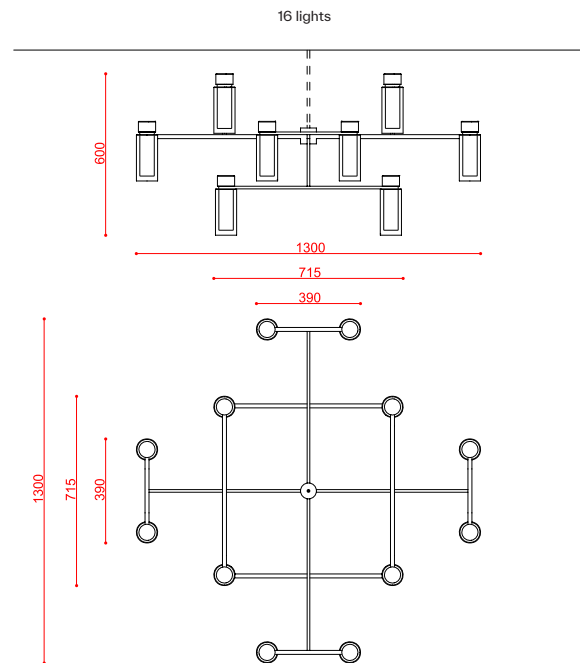
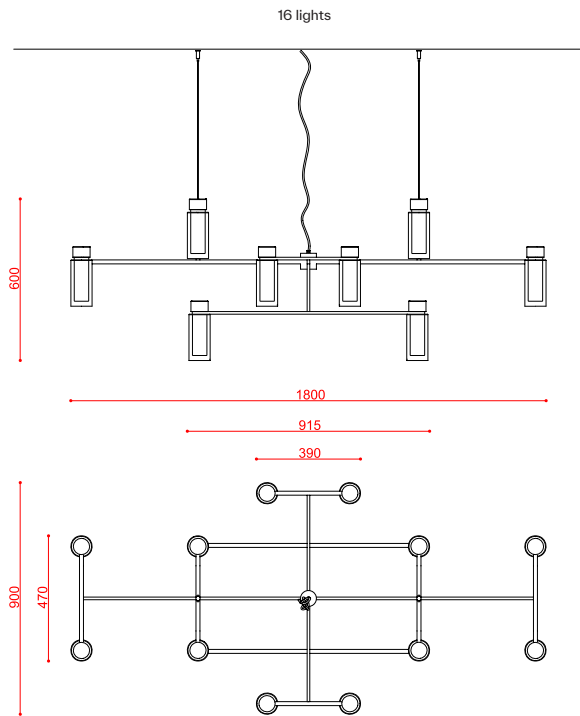
code	voltage	nominal flux	dimmability	finishes	stem included (cm) adj. on site	dimensions (cm)	recommended LED bulb	USD
560.17	110/120V	/	according to bulb	C2 + C41 + clear	60/90	H 60 x L 130	16 x E12 8W 500 lm	\$11,249.00
560.17	110/120V	/	according to bulb	C2 + C48 + smoke	60/90	H 60 x L 130	16 x E12 8W 500 lm	\$13,499.00



C2 Matte black + C41 Brushed brass + Clear glass
C2 Matte black + C48 Black chrome + Smoke glass



measurements in mm



OSMAN

560.21 Pendant

Picture on page 225 of the catalogue

Design: Corrado Dotti

Description: Family of lamps with a rational design enriched by precious metallic details and double-wall cylindrical diffusers that give a fascinating and harmonious light diffusion. The particular orthogonal structure and the well-balanced proportions give these lamps a strong avantgarde sign while maintaining a formal, familiar and refined appearance.

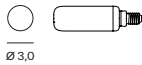
Materials: metal, brass, glass

Mounting: Canopy: Ø 13 cm included with bracket. Light source: E12 bulb.

Nt. W/t.: 1 kg / 2,2 lb

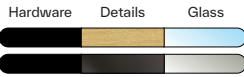
Class: Degree of protection IP20, insulation class 1.

Note: Custom canopy on request.
220/240V version available on request.
Max dimensions bulb (excluded):

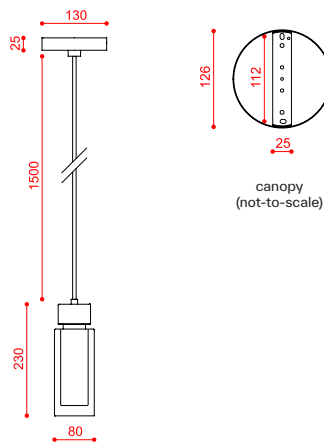


UL CE IP20

code	voltage	nominal flux	dimmability	finishes	cable (cm)	dimensions (cm)	recommended LED bulb	USD
560.21	110/120V	/	according to bulb	C2 + C41 + clear	150	H 23 x Ø 8	1 x E12 8W 500 lm	\$799.00
560.21	110/120V	/	according to bulb	C2 + C48 + smoke	150	H 23 x Ø 8	1 x E12 8W 500 lm	\$949.00



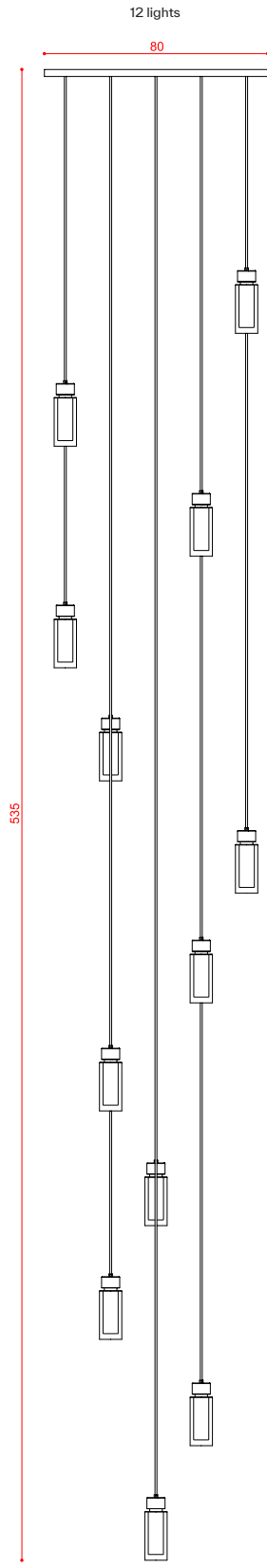
C2 Matte black + C41 Brushed brass + Clear glass
C2 Matte black + C48 Black chrome + Smoke glass



measurements in mm

Suggested application

OSMAN Pendant



OSMAN

560.31 Side Table

Picture on page 66/231 of the catalogue

Design: Corrado Dotti

Description: Family of lamps with a rational design enriched by precious metallic details and double-wall cylindrical diffusers that give a fascinating and harmonious light diffusion. The particular orthogonal structure and the well-balanced proportions give these lamps a strong avantgarde sign while maintaining a formal, familiar and refined appearance.

Materials: metal, brass, glass

Mounting: Table: cable length 150 cm. Plug: type A. On/off switch: 50 cm from the base on black fabric cable. Light source: E12 bulb.

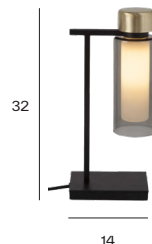
Nt. Wt.: 1,5 kg / 3,3 lb

Class: Degree of protection IP20, insulation class 2.

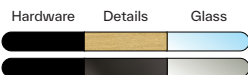
Note: Dimmer version available.
220/240V version available on request.
Max dimensions bulb (excluded):



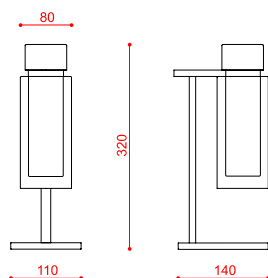
UL CE IP20



code	voltage	nominal flux	dimmiability	finishes	cable (cm)	dimensions (cm)	recommended LED bulb	USD
560.31	110/120V	/	/	C2 + C41 + clear	150	H 32 x L 14	1 x E12 8W 500 lm	\$999.00
560.31	110/120V	/	/	C2 + C48 + smoke	150	H 32 x L 14	1 x E12 8W 500 lm	\$1,199.00



C2 Matte black + C41 Brushed brass + Clear glass
C2 Matte black + C48 Black chrome + Smoke glass



measurements in mm

OSMAN

560.34 Table

Picture on page 232 of the catalogue

Design: Corrado Dotti

Description: Family of lamps with a rational design enriched by precious metallic details and double-wall cylindrical diffusers that give a fascinating and harmonious light diffusion. The particular orthogonal structure and the well-balanced proportions give these lamps a strong avantgarde sign while maintaining a formal, familiar and refined appearance.

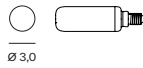
Materials: metal, brass, glass

Mounting: Table: cable length 150 cm. Plug: type A or B. On/off switch: 50 cm from the base on black fabric cable. Light source: E12 bulb.

Nt. Wt.: 4,7 kg / 10,4 lb

Class: Degree of protection IP20, insulation class 1.

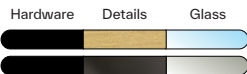
Note: Dimmer version available on request.
220/240V version available on request.
Max dimensions bulb (excluded):



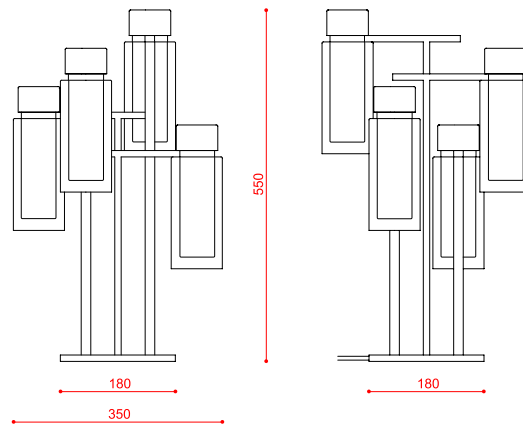
UL CE IP20



code	voltage	nominal flux	dimmability	finishes	cable (cm)	dimensions (cm)	recommended LED bulb	USD
560.34	110/120V	/	/	C2 + C41 + clear	150	H 55 x L 35	4 x E12 8W 500 lm	\$3,129.00
560.34	110/120V	/	/	C2 + C48 + smoke	150	H 55 x L 35	4 x E12 8W 500 lm	\$3,749.00



C2 Matte black + C41 Brushed brass + Clear glass
C2 Matte black + C48 Black chrome + Smoke glass



measurements in mm

Design: Corrado Dotti

Description: Family of lamps with a rational design enriched by precious metallic details and double-wall cylindrical diffusers that give a fascinating and harmonious light diffusion. The particular orthogonal structure and the well-balanced proportions give these lamps a strong avantgarde sign while maintaining a formal, familiar and refined appearance.

Materials: metal, brass, glass

Mounting: Base: 6 x 6 cm included with bracket. Light source: E12 bulb.

Nt. Wt.: 0,8 kg / 1,8 lb

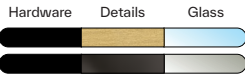
Class: Degree of protection IP20, insulation class 1.

Note: Base for Junction Box included.
 Custom base on request.
 Recessed base available (560.45).
 220/240V version available on request.
 Max dimensions bulb (excluded):

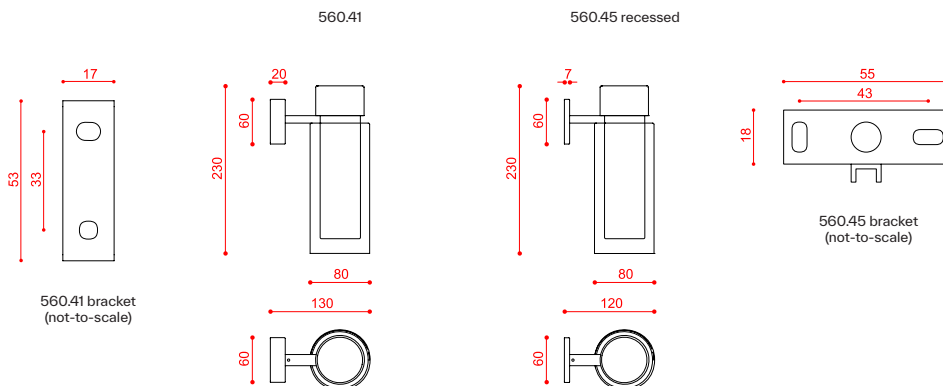


UL CE IP20

code	voltage	nominal flux	dimmbability	finishes	cable (cm)	dimensions (cm)	recommended LED bulb	USD
560.41 560.45 rec.	110/120V	/	according to bulb	C2 + C41 + clear	/	H 23 x D 13 H 23 x D 12	1 x E12 8W 500 lm	\$749.00
560.41 560.45 rec.	110/120V	/	according to bulb	C2 + C48 + smoke	/	H 23 x D 13 H 23 x D 12	1 x E12 8W 500 lm	\$899.00



C2 Matte black + C41 Brushed brass + Clear glass
 C2 Matte black + C48 Black chrome + Smoke glass



measurements in mm

OSMAN

560.42 Wall

Picture on page 226 of the catalogue

Design: Corrado Dotti

Description: Family of lamps with a rational design enriched by precious metallic details and double-wall cylindrical diffusers that give a fascinating and harmonious light diffusion. The particular orthogonal structure and the well-balanced proportions give these lamps a strong avantgarde sign while maintaining a formal, familiar and refined appearance.

Materials: metal, brass, glass

Mounting: Base: 6 x 20 cm included with bracket. Light source: E12 bulb.

Nt. Wt.: 1,1 kg / 2,4 lb

Class: Degree of protection IP20, insulation class 1.

Note: Base for Junction Box included.
Custom base on request.
Recessed base available (560.46).
220/240V version available on request.
Max dimensions bulb (excluded):

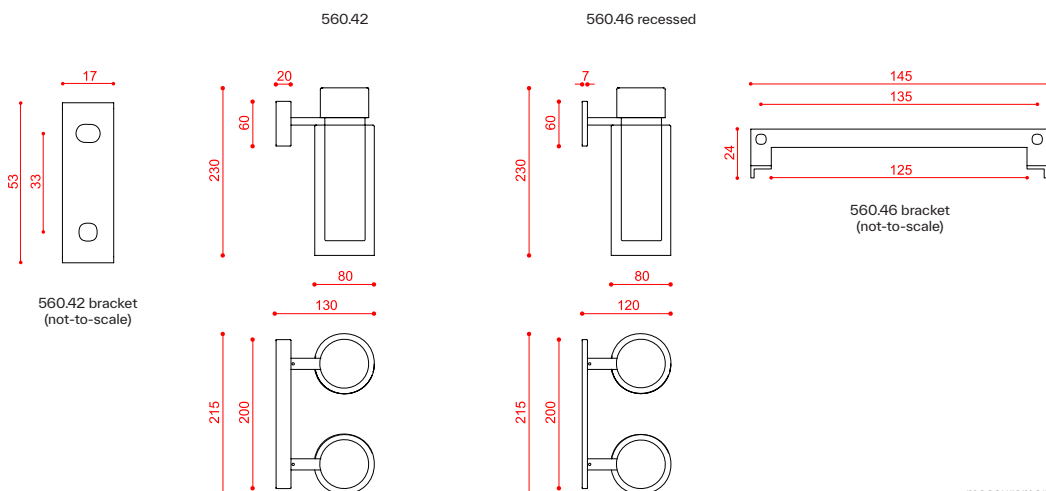


UL CE IP20

code	voltage	nominal flux	dimmiability	finishes	cable (cm)	dimensions (cm)	recommended LED bulb	USD
560.42 560.46 rec.	110/120V	/	according to bulb	C2 + C41 + clear	/	H 23 x D 13 H 23 x D 12	2 x E12 8W 500 lm	\$1,549.00
560.42 560.46 rec.	110/120V	/	according to bulb	C2 + C48 + smoke	/	H 23 x D 13 H 23 x D 12	2 x E12 8W 500 lm	\$1,849.00



C2 Matte black + C41 Brushed brass + Clear glass
C2 Matte black + C48 Black chrome + Smoke glass



measurements in mm

OSMAN

560.61 Floor

Design: Corrado Dotti

Description: Family of lamps with a rational design enriched by precious metallic details and double-wall cylindrical diffusers that give a fascinating and harmonious light diffusion. The particular orthogonal structure and the well-balanced proportions give these lamps a strong avantgarde sign while maintaining a formal, familiar and refined appearance.

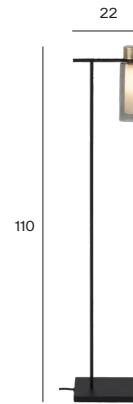
Materials: metal, brass, glass

Mounting: Floor: cable length 300 cm. Plug: type A. On/off switch: 80 cm from the base on black fabric cable. Light source: E12 bulb.

Nt. Wt.: 2,8 kg / 6,2 lb

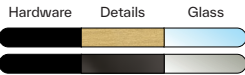
Class: Degree of protection IP20, insulation class 2.

Note: Dimmer version available on request.
220/240V version available on request.
Max dimensions bulb (excluded):

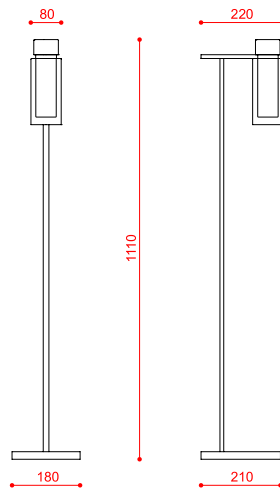


UL CE IP20

code	voltage	nominal flux	dimmability	finishes	cable (cm)	dimensions (cm)	recommended LED bulb	USD
560.61	110/120V	/	/	C2 + C41 + clear	300	H 110 x L 22	1 x E12 8W 500 lm	\$1,799.00
560.61	110/120V	/	/	C2 + C48 + smoke	300	H 110 x L 22	1 x E12 8W 500 lm	\$2,199.00



C2 Matte black + C41 Brushed brass + Clear glass
C2 Matte black + C48 Black chrome + Smoke glass



measurements in mm

OSMAN

560.64 Floor

Picture on page 26/229 of the catalogue

Design: Corrado Dotti

Description: Family of lamps with a rational design enriched by precious metallic details and double-wall cylindrical diffusers that give a fascinating and harmonious light diffusion. The particular orthogonal structure and the well-balanced proportions give these lamps a strong avantgarde sign while maintaining a formal, familiar and refined appearance.

Materials: metal, brass, glass

Mounting: Floor: cable length 300 cm. Plug: type A or B. On/off switch: 80 cm from the base on black fabric cable. Light source: E12 bulb.

Nt. Wt.: 7,6 kg / 16,8 lb

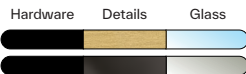
Class: Degree of protection IP20, insulation class 1.

Note: Dimmer version available on request.
220/240V version available on request.
Max dimensions bulb (excluded):

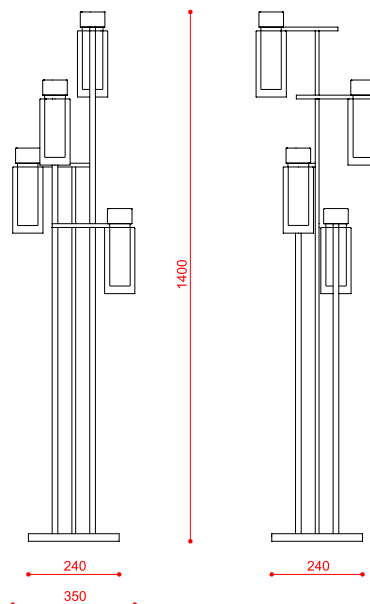


UL CE IP20

code	voltage	nominal flux	dimmiability	finishes	cable (cm)	dimensions (cm)	recommended LED bulb	USD
560.64	110/120V	/	/	C2 + C41 + clear	300	H 140 x L 35	4 x E12 8W 500 lm	\$5,349.00
560.64	110/120V	/	/	C2 + C48 + smoke	300	H 140 x L 35	4 x E12 8W 500 lm	\$6,429.00



C2 Matte black + C41 Brushed brass + Clear glass
C2 Matte black + C48 Black chrome + Smoke glass



measurements in mm

OSMAN

560.74 Wall/Ceiling

Design: Corrado Dotti

Description: Family of lamps with a rational design enriched by precious metallic details and double-wall cylindrical diffusers that give a fascinating and harmonious light diffusion. The particular orthogonal structure and the well-balanced proportions give these lamps a strong avantgarde sign while maintaining a formal, familiar and refined appearance.

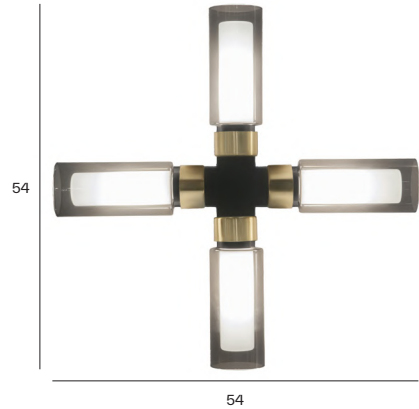
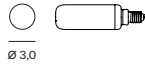
Materials: metal, brass, glass

Mounting: Base: 20 x 20 cm cross included with bracket. Light source: E12 bulb.

Nt. Wt.: 2,4 kg / 5,3 lb

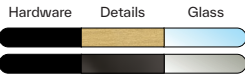
Class: Degree of protection IP20, insulation class 1.

Note: Base for Junction Box included.
Custom base on request
220/240V version available on request.
Max dimensions bulb (excluded):

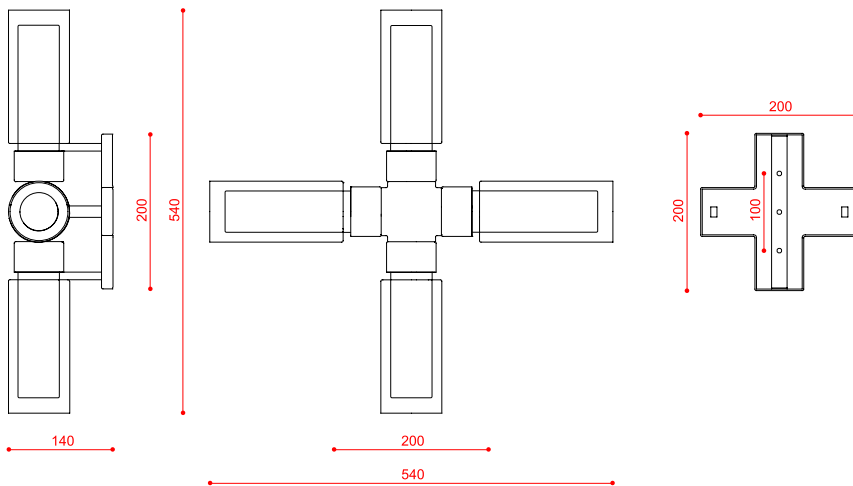


UL CE IP20

code	voltage	nominal flux	dimmiability	finishes	cable (cm)	dimensions (cm)	recommended LED bulb	USD
560.74	110/120V	/	according to bulb	C2 + C41 + clear	/	H 54 x L 54	4 x E12 8W 500 lm	\$2,649.00
560.74	110/120V	/	according to bulb	C2 + C48 + smoke	/	H 54 x L 54	4 x E12 8W 500 lm	\$3,199.00



C2 Matte black + C41 Brushed brass + Clear glass
C2 Matte black + C48 Black chrome + Smoke glass



measurements in mm

QUADRANTE

505.08 Chandelier

Design: Roberto Giacomucci

Description: Modular suspension made of welded and powder coated steel pipes. The possible configurations are numerous and create a system of bright grids.

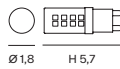
Materials: metal, glass

Mounting: Pendant: 125 cm steel cable, black PVC electric cable length 150 cm. Canopy: Ø 13 cm included with bracket. Light source: G9 bulb.

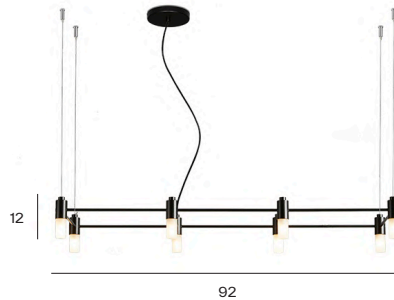
Nt. Wt.: 1,1 kg / 2,4 lb

Class: Degree of protection IP20, insulation class 1.

Note: Custom canopy on request.
Decentralized canopy.
220/240V version available on request.
Max dimensions bulb (excluded):



CE IP20

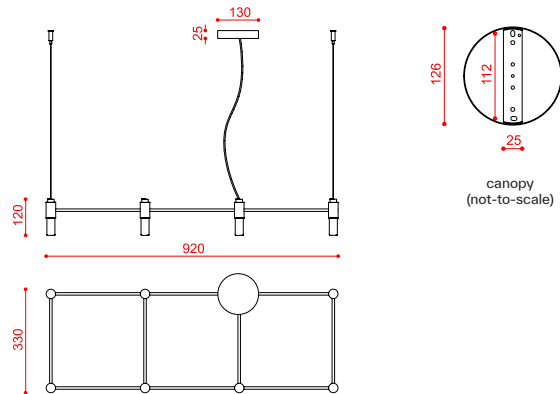


code	voltage	nominal flux	dimmability	finishes	cable (cm)	dimensions (cm)	recommended LED bulb	USD
505.08	110/120V	/	according to bulb	C2	125	L 92 x D 33	8 x G9 max 3W	\$1,999.00

Hardware



C2 Matte black



measurements in mm

QUADRANTE

505.09 Chandelier

Design: Roberto Giacomucci

Description: Modular suspension made of welded and powder coated steel pipes. The possible configurations are numerous and create a system of bright grids.

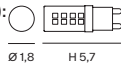
Materials: metal, glass

Mounting: Pendant: 125 cm steel cable, black PVC electric cable length 150 cm. Canopy: Ø 13 cm included with bracket. Light source: G9 bulb.

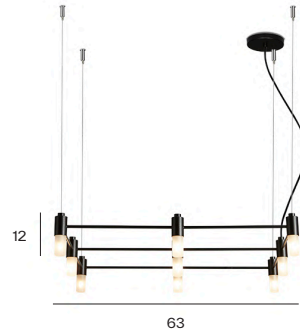
Nt. Wt.: 1,3 kg / 2,9 lb

Class: Degree of protection IP20, insulation class 1.

Note: Custom canopy on request.
Decentralized canopy.
220/240V version available on request.
Max dimensions bulb (excluded):



CE IP20

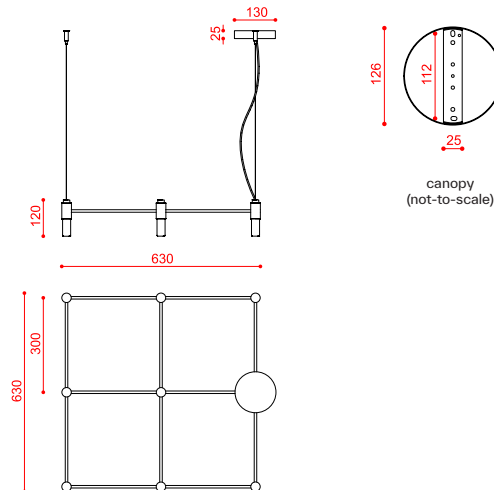


code	voltage	nominal flux	dimmiability	finishes	cable (cm)	dimensions (cm)	recommended LED bulb	USD
505.09	110/120V	/	according to bulb	C2	125	L 63 x D 63	9 x G9 max 3W	\$2,199.00

Hardware



C2 Matte black



measurements in mm

QUADRANTE

505.12 Chandelier

Picture on page 235/236 of the catalogue

Design: Roberto Giacomucci

Description: Modular suspension made of welded and powder coated steel pipes. The possible configurations are numerous and create a system of bright grids.

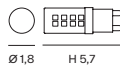
Materials: metal, glass

Mounting: Pendant: 125 cm steel cable, black PVC electric cable length 150 cm. Canopy: Ø 13 cm included with bracket. Light source: G9 bulb.

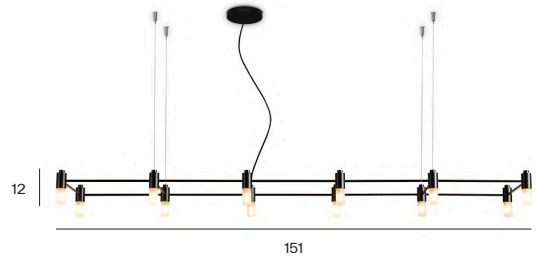
Nt. Wt.: 2,0 kg / 4,4 lb

Class: Degree of protection IP20, insulation class 1.

Note: Custom canopy on request.
Decentralized canopy.
220/240V version available on request.
Max dimensions bulb (excluded):



CE IP20

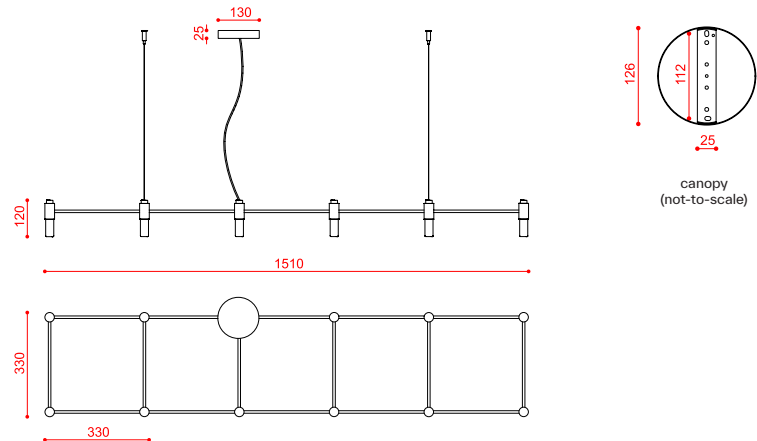


code	voltage	nominal flux	dimmiability	finishes	cable (cm)	dimensions (cm)	recommended LED bulb	USD
505.12	110/120V	/	according to bulb	C2	125	L 151 x D 33	12 x G9 max 3W	\$3,179.00

Hardware



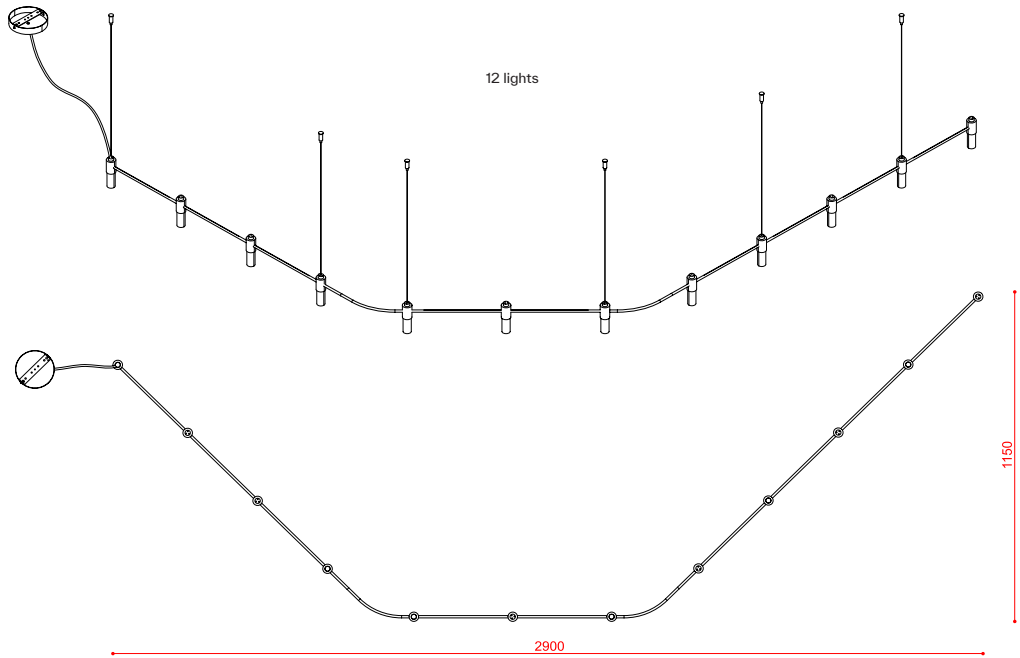
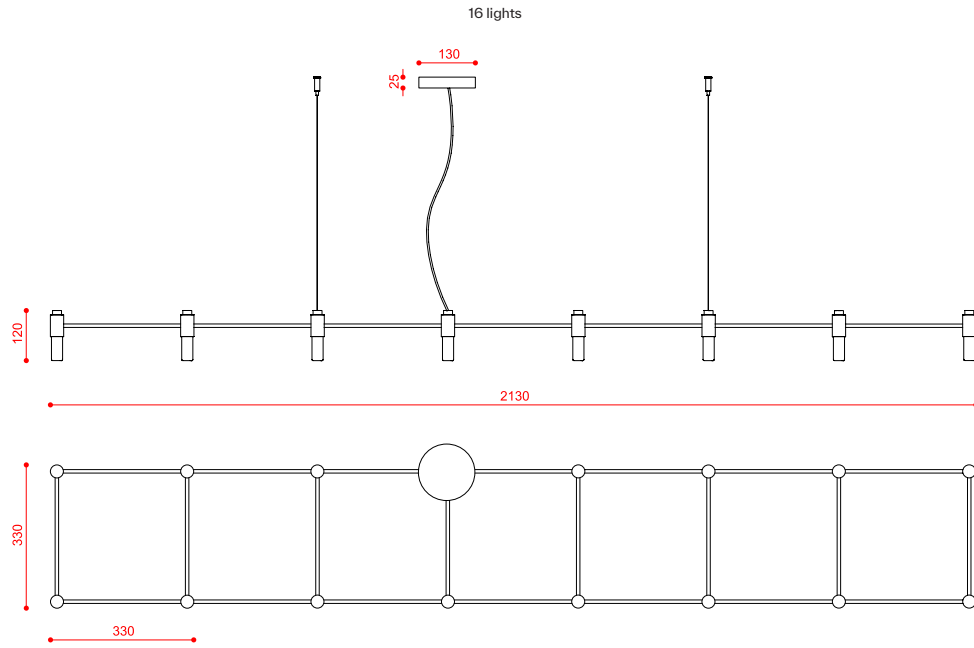
C2 Matte black



measurements in mm

Suggested application

QUADRANTE Chandelier



QUADRANTE

505.16 Chandelier

Design: Roberto Giacomucci

Description: Modular suspension made of welded and powder coated steel pipes. The possible configurations are numerous and create a system of bright grids.

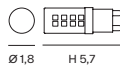
Materials: metal, glass

Mounting: Pendant: 125 cm steel cable, black PVC electric cable length 150 cm. Canopy: Ø 13 cm included with bracket. Light source: G9 bulb.

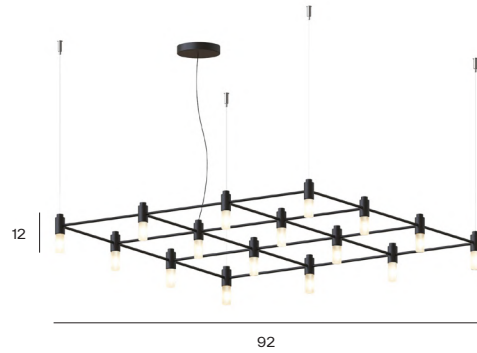
Nt. Wt.: 2,5 kg / 5,5 lb

Class: Degree of protection IP20, insulation class 1.

Note: Custom canopy on request.
Decentralized canopy.
220/240V version available on request.
Max dimensions bulb (excluded):



CE IP20

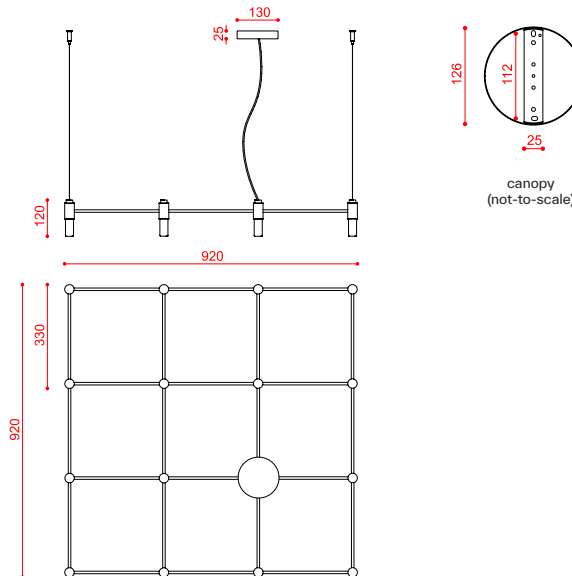


code	voltage	nominal flux	dimmiability	finishes	cable (cm)	dimensions (cm)	recommended LED bulb	USD
505.16	110/120V	/	according to bulb	C2	125	L 92 x D 92	16 x G9 max 3W	\$3,799.00

Hardware



C2 Matte black



measurements in mm

QUADRANTE

505.25 Chandelier

Design: Roberto Giacomucci

Description: Modular suspension made of welded and powder coated steel pipes. The possible configurations are numerous and create a system of bright grids.

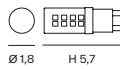
Materials: metal, glass

Mounting: Pendant: 125 cm steel cable, black PVC electric cable length 150 cm. Canopy: Ø 13 cm included with bracket. Light source: G9 bulb.

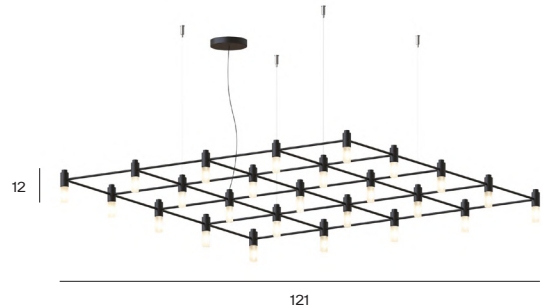
Nt. Wt.: 3,4 kg / 7,5 lb

Class: Degree of protection IP20, insulation class 1.

Note: Custom canopy on request.
Decentralized canopy.
220/240V version available on request.
Max dimensions bulb (excluded):



CE IP20

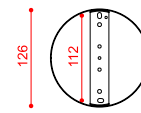
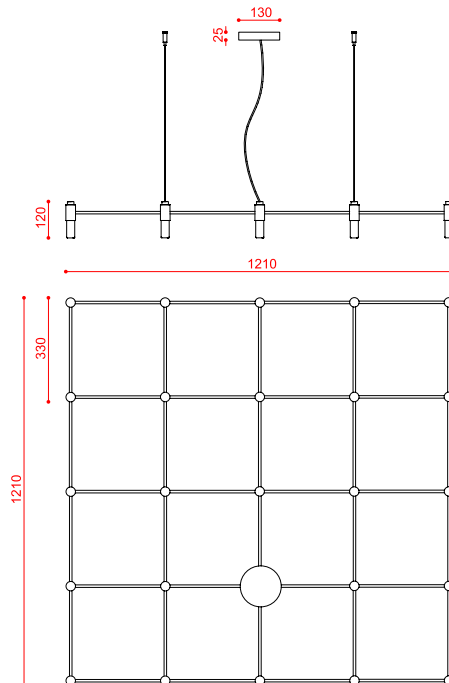


code	voltage	nominal flux	dimmiability	finishes	cable (cm)	dimensions (cm)	recommended LED bulb	USD
505.25	110/120V	/	according to bulb	C2	125	L 121 x D 121	25 x G9 max 3W	\$6,249.00

Hardware



C2 Matte black



canopy (not-to-scale)

measurements in mm

THULA

562.21 Pendant

Picture on page 239/252 of the catalogue

Design: Federica Biasi

Description: The Thula suspension lamps are based on a simple and architectural central element with an illuminating function to which an organic component in wood or quilted leather is added in a skilful game of addition and subtraction. Consists of a linear dimmable LED.

Materials: aluminum, metal, leather, wood

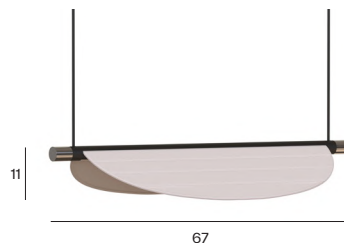
Mounting: Pendant: cable length 150 cm. Canopies: 26x7x3 + Ø 6 cm included with bracket. Light source: Integrated LED.

Nt. Wt.: 1,6 kg / 3,6 lb

Class: Degree of protection IP40, insulation class 1.

Note: Canopy for Junction Box included.
Driver on board.
220/240V version available on request.
DALI version on request.

CE IP40



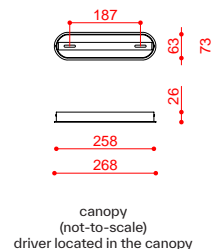
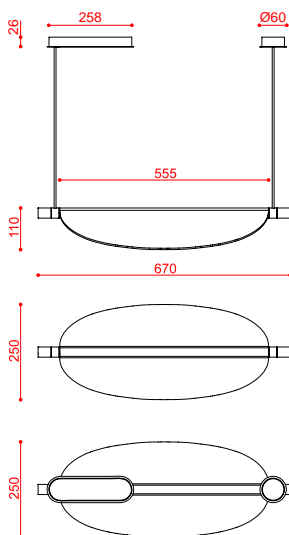
code	voltage	nominal flux	dimmability	finishes	cable (cm)	dimensions (cm)	LED	USD
562.21	110/120V	1500 lm	phase cut	all color combos + wood	150	H 11 x L 67	11W 2700K	\$3,929.00
562.21	110/120V	1500 lm	phase cut	all color combos + leather	150	H 11 x L 67	11W 2700K	\$5,099.00

Hardware Details

-  C22 Beige + C22 Beige
-  C22 Beige + C68 Satin nickel
-  C74 Sand black + C74 Sand black
-  C74 Sand black + C68 Satin nickel

Shade

-  L02 Beige leather
-  W02 Canaletto walnut
-  W03 Light oak



measurements in mm

THULA

562.22 Pendant

Picture on page 37/239 of the catalogue

Design: Federica Biasi

Description: The Thula suspension lamps are based on a simple and architectural central element with an illuminating function to which an organic component in wood or quilted leather is added in a skilful game of addition and subtraction. Consists of a linear dimmable LED.

Materials: aluminum, metal, leather, wood

Mounting: Pendant: cable length 150 cm. Canopies: 26x7x3 + Ø 6 cm included with bracket. Light source: Integrated LED.

Nt. Wt.: 2,5 kg / 5,6 lb

Class: Degree of protection IP40, insulation class 1.

Note: Canopy for Junction Box included.
Driver on board.
220/240V version available on request.
DALI version on request.

CE IP40





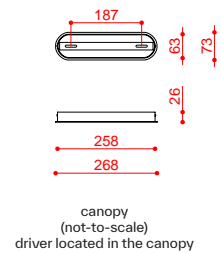
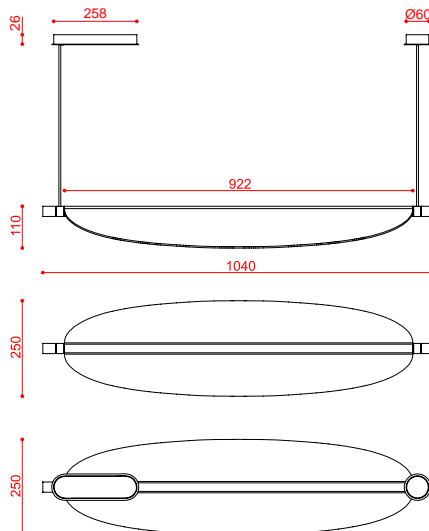
code	voltage	nominal flux	dimmability	finishes	cable (cm)	dimensions (cm)	LED	USD
562.22	110/120V	2600 lm	phase cut	all color combos + wood	150	H 11 x L 104	20W 2700K	\$5,229.00
562.22	110/120V	2600 lm	phase cut	all color combos + leather	150	H 11 x L 104	20W 2700K	\$6,549.00

Hardware Details

-  C22 Beige + C22 Beige
-  C22 Beige + C68 Satin nickel
-  C74 Sand black + C74 Sand black
-  C74 Sand black + C68 Satin nickel

Shade

-  L02 Beige leather
-  W02 Canaletto walnut
-  W03 Light oak



measurements in mm

THULA

562.23 Pendant

Picture on page 244/245 of the catalogue

Design: Federica Biasi

Description: The Thula suspension lamps are based on a simple and architectural central element with an illuminating function to which an organic component in wood or quilted leather is added in a skilful game of addition and subtraction. Consists of a linear dimmable LED.

Materials: aluminum, metal, leather, wood

Mounting: Pendant: cable length 150 cm. Canopies: 26x7x3 + Ø 6 cm included with bracket. Light source: Integrated LED.

Nt. Wt.: 3,2 kg / 7,1 lb

Class: Degree of protection IP40, insulation class 1.

Note: Canopy for Junction Box included.
Driver on board.
220/240V version available on request.
DALI version on request.



CE IP40

code	voltage	nominal flux	dimmability	finishes	cable (cm)	dimensions (cm)	LED	USD
562.23	110/120V	3400 lm	phase cut	all color combos + wood	150	H 11 x L 134	26W 2700K	\$6,399.00

Hardware Details

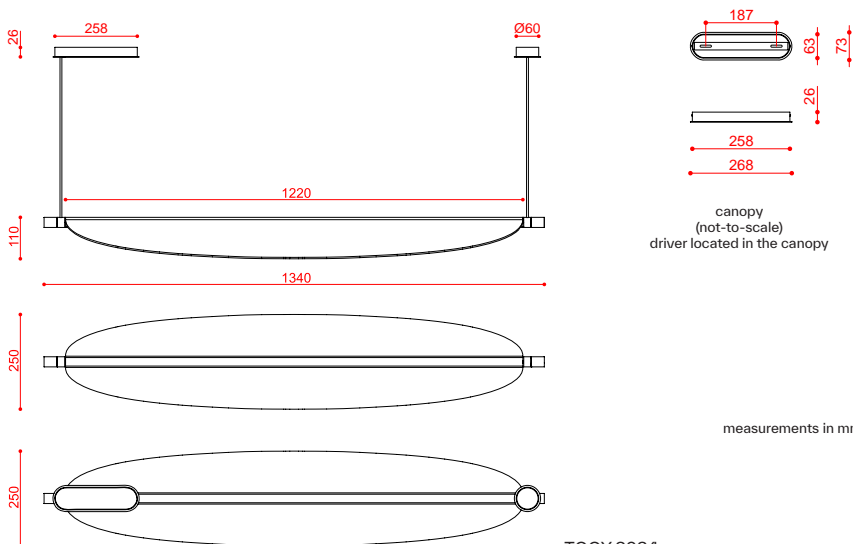


- C22 Beige + C22 Beige
- C22 Beige + C68 Satin nickel
- C74 Sand black + C74 Sand black
- C74 Sand black + C68 Satin nickel

Shade



- L02 Beige leather
- W02 Canaletto walnut
- W03 Light oak



THULA

562.41 Wall/Ceiling

Picture on page 240/241 of the catalogue

Design: Federica Biasi

Description: Wall lamps based on a simple and architectural central element with an illuminating function to which an organic component in wood or quilted leather is added in a skilful game of addition and subtraction. Consists of a linear dimmable LED.

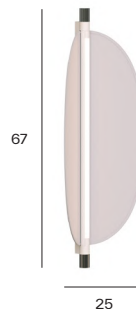
Materials: aluminum, metal, leather, wood

Mounting: Base: 60 x 2 cm included with bracket. Remote driver dimensions: H 2 x L 16 x W 4,5 cm. Light source: Integrated LED.

Nt. Wt.: 1,5 kg / 3,4 lb

Class: Degree of protection IP40, insulation class 3.

Note: Base for Junction Box included.
Cable + plug version available (+ USD80).
Remote driver included.
220/240V version available on request.
DALI version on request.
LED Cover available on request (see page 200).




CE IP40

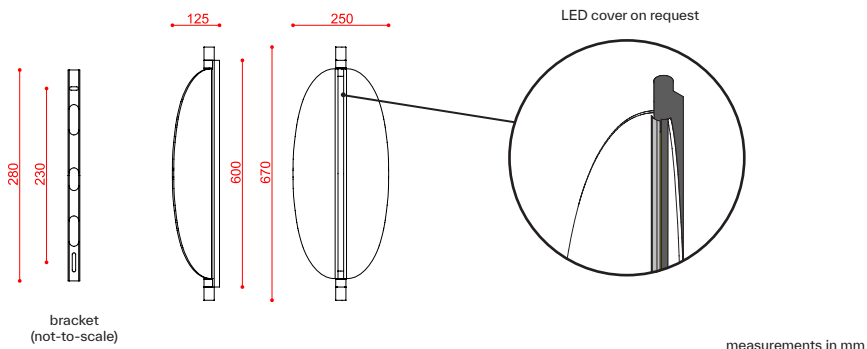
code	voltage	nominal flux	dimmability	finishes	cable (cm)	dimensions (cm)	LED	USD
562.41	24V	1400 lm	phase cut	all color combos + leather	/	H 67 x L 25	11W 2700K	\$4,499.00

Hardware Details

-  C22 Beige + C22 Beige
-  C22 Beige + C68 Satin nickel
-  C74 Sand black + C74 Sand black
-  C74 Sand black + C68 Satin nickel

Shade

-  L02 Beige leather
-  W02 Canaletto walnut
-  W03 Light oak



THULA

562.42 Wall/Ceiling

Picture on page 250/251 of the catalogue

Design: Federica Biasi

Description: Wall lamps based on a simple and architectural central element with an illuminating function to which an organic component in wood or quilted leather is added in a skilful game of addition and subtraction. Consists of a linear dimmable LED.

Materials: aluminum, metal, leather, wood

Mounting: Base: 97 x 2 cm included with bracket. Remote driver dimensions: H 2 x L 16 x W 4,5 cm. Light source: Integrated LED.

Nt. Wt.: 2,3 kg / 5,1 lb

Class: Degree of protection IP40, insulation class 3.

Note: Base for Junction Box included.
Cable + plug version available (+ USD80).
Remote driver included.
220/240V version available on request.
DALI version on request.
LED Cover available on request (see page 200).



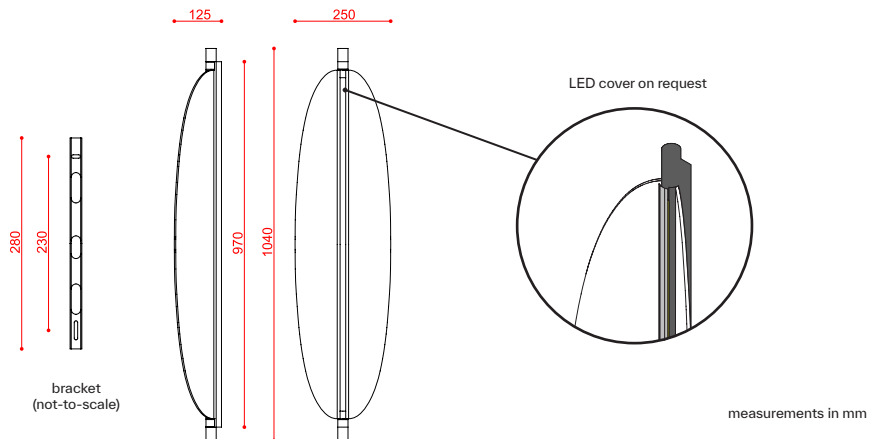
CE IP40

code	voltage	nominal flux	dimmability	finishes	cable (cm)	dimensions (cm)	LED	USD
562.42	24V	2600 lm	phase cut	all color combos + wood	/	H 104 x L 25	20W 2700K	\$4,629.00

Hardware Details



Shade



THULA

562.43 Wall/Ceiling

Picture on page 242/243/247 of the catalogue

Design: Federica Biasi

Description: Wall lamps based on a simple and architectural central element with an illuminating function to which an organic component in wood or quilted leather is added in a skilful game of addition and subtraction. Consists of a linear dimmable LED.

Materials: aluminum, metal, leather, wood

Mounting: Base: 127 x 2 cm included with bracket. Remote driver dimensions: H 2 x L 16 x W 4,5 cm. Light source: Integrated LED.

Nt. Wt.: 3 kg / 6,7 lb

Class: Degree of protection IP40, insulation class 3.

Note: Base for Junction Box included.
 Cable + plug version available (+ USD80).
 Remote driver included.
 220/240V version available on request.
 DALI version on request.
 LED Cover available on request (see page 200).



CE IP40

code	voltage	nominal flux	dimmability	finishes	cable (cm)	dimensions (cm)	LED	USD
562.43	24V	3400 lm	phase cut	all color combos + wood	/	H 134 x L 25	26W 2700K	\$5,829.00

Hardware Details

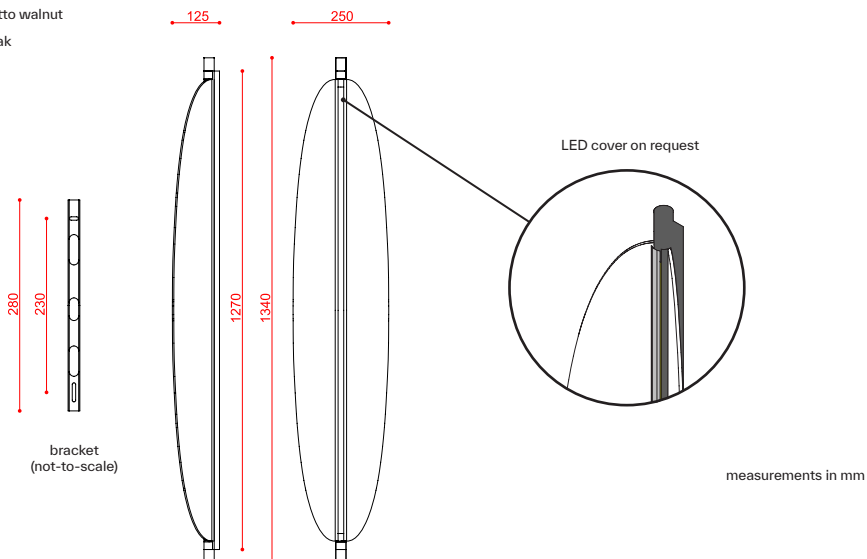


- C22 Beige + C22 Beige
- C22 Beige + C68 Satin nickel
- C74 Sand black + C74 Sand black
- C74 Sand black + C68 Satin nickel

Shade



- L02 Beige leather
- W02 Canaletto walnut
- W03 Light oak



THULA

562.46 Wall/Ceiling

Design: Federica Biasi

Description: Wall lamps based on a simple and architectural central element. Consists of a linear dimmable LED; in the simple wall version it can be oriented, thus giving direct or indirect light.

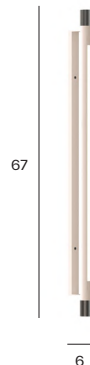
Materials: aluminum, metal

Mounting: Base: 58 x 2 cm included with bracket. Adjustable direct light: 350°. Remote driver dimensions: H 2 x L 16 x W 4,5 cm. Light source: Integrated LED.

Nt. Wt.: 1 kg / 2,3 lb

Class: Degree of protection IP40, insulation class 3.

Note: Base for Junction Box included.
Cable + plug version available (+ USD80).
Remote driver included.
220/240V version available on request.
DALI version on request.



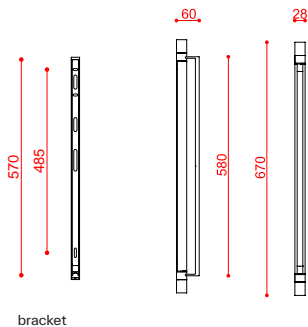
CE IP40

code	voltage	nominal flux	dimmability	finishes	cable (cm)	dimensions (cm)	LED	USD
562.46	24V	1400 lm	phase cut	all color combos	/	H 67 x L 6	11W 2700K	\$2,229.00

Hardware Details



C22 Beige + C22 Beige
C22 Beige + C68 Satin nickel
C74 Sand black + C74 Sand black
C74 Sand black + C68 Satin nickel



bracket

measurements in mm

THULA

562.47 Wall/Ceiling

Picture on page 248/249 of the catalogue

Design: Federica Biasi

Description: Wall lamps based on a simple and architectural central element. Consists of a linear dimmable LED; in the simple wall version it can be oriented, thus giving direct or indirect light.

Materials: aluminum, metal

Mounting: Base: 95 x 2 cm included with bracket. Adjustable direct light: 350°. Remote driver dimensions: H 2 x L 16 x W 4,5 cm. Light source: Integrated LED.

Nt. Wt.: 1,5 kg / 3,4 lb

Class: Degree of protection IP40, insulation class 3.

Note: Base for Junction Box included.
Cable + plug version available (+ USD80).
Remote driver included.
220/240V version available on request.
DALI version on request.



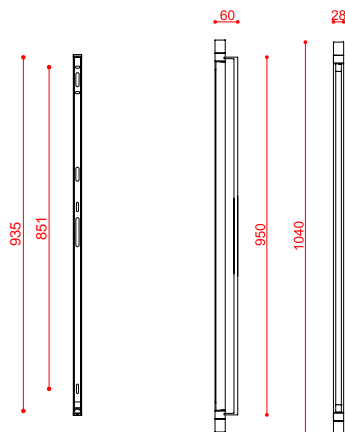
CE IP40

code	voltage	nominal flux	dimmability	finishes	cable (cm)	dimensions (cm)	LED	USD
562.47	24V	2600 lm	phase cut	all color combos	/	H 104 x L 6	20W 2700K	\$2,899.00

Hardware Details



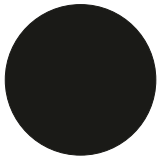
C22 Beige + C22 Beige
C22 Beige + C68 Satin nickel
C74 Sand black + C74 Sand black
C74 Sand black + C68 Satin nickel



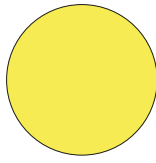
bracket

measurements in mm

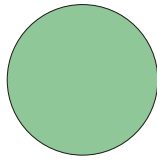
Materials and Finishes



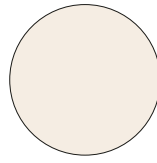
C2
Matte black



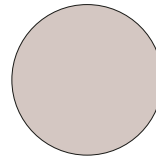
C3
Yellow Lemon



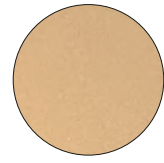
C9
Mint Green



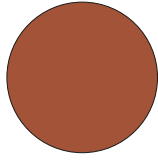
C22
Beige



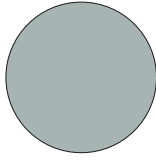
C23
Eggshell



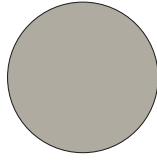
C24
Hot Gold



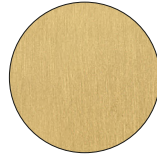
C25
Terracotta



C26
Greenish-grey



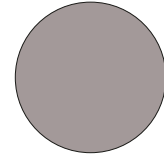
C30
Light grey



C41
Brushed brass



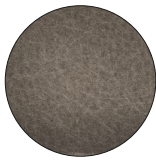
C42
Satin brass



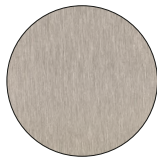
C46
Sand grey



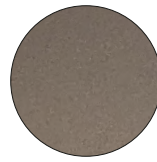
C48
Black chrome



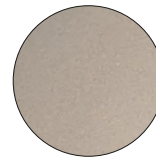
C50
Pewter



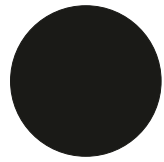
C68
Satin nickel



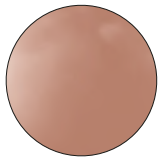
C70
Titanium



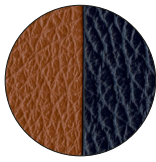
C72
Opaque nickel



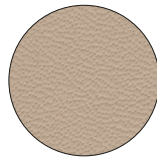
C74
Sand black



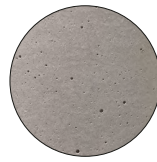
C99
Copper



L01
Two-tone leather



L02
Beige leather



M01
Concrete



W01
Ash



W02
Canaletto walnut



W03
Light oak



N01
Powder nylon

The colour-code under each image is related to the colour of the photographed article.

The available standard colours are shown on technical info pages. The colours of the illustrated articles are reproduced the most faithfully possible, in line with the technical limits of printing and small variations of tone are possible.

Custom colors are available upon request across all collections at an additional cost.

GENERAL INFORMATION

This price list, valid from the first of March 2024 replaces and cancels all previous editions. The articles not indicated in it are to be considered eliminated. TOOY reserves the right to remove, at any time and without public notice, any products from the collection and, without prejudice to the essential characteristics of the models, to make price changes, particular changes that it considers convenient for the purpose of improvement or for reasons of character constructive or commercial, especially for LED sources.

Information concerning luminous flux/power consumption are expressed in nominal values. In case of discrepancy between the information contained in the printed materials and the website, this latter shall prevail (www.tooy.it).

Dimensions are indicated in centimetres or millimeters regarding technical drawings. Luminaires are normally supplied without light sources, except when otherwise indicated. The assembly and maintenance instructions are included in the packaging.

The details of materials, finishes and colors concern only the main visible parts of the products. Products with anodized finishes could show different colour shades due to the industrial galvanic process and shades have to be considered as aesthetic product elements. Polishing process is hand-made. Shades are therefore due to this manual process. Dimensions of products made through deformations of extrusions, could be subject to changes of ± 1 cm. As blown glass is produced by traditional craft techniques, its thickness, colour and finishes are subject to variations, a feature that makes each piece unique.

The terms eventually applied to the order are purely indicative.

Failure to comply with them will not give rise to any kind of penalties nor will it give rise to claims for damages.

The goods travel at the risk of the customer, even if sold carriage free. The seller is not liable for damages suffered by the goods during transport, since they must be disputed to the carrier. After eight days from receipt of the goods, no claims or returns will be accepted; we do not accept any return of goods without our prior authorization. The delay in payments gives us the right to cancel the order and causes the loss of the discount. For payments made after the deadline, commercial interests will be calculated with the related expenses incurred. TOOY reserves the right to carry out orders to deliveries distributed under the same conditions provided for the original order.

The court of Amandola is competent for any dispute.

For technical requirements of functionality and aesthetics, the manufacturer and seller can, at any time and without the obligation to notify the Customer, make changes to the items presented in this catalogue.

TOOY srl does not assume responsibility for any typing errors, for changes due to technological progress or regulatory provisions. The prices indicated are VAT excluded.



A norma del D.Lgs. 151/2005 la GIBAS s.r.l. è iscritta al registro produttori AEETEL della provincia di Fermo con numero IT08010000000062 e addebiterà l'eco contributo RAEE nella misura stabilita dal consorzio di smaltimento ECOLIGHT a cui aderisce senza esporlo in fattura.



CE All the products described in this catalog comply with the essential requirements of the EEC directives

TOOY

Via Alessandro Volta, 7
63857 Amandola (FM) - ITALY
(+39) 0736.840162
www.tooy.it
info@tooy.it

Distributed exclusively by:

AUTHENTIC DESIGN COLLECTION

681 Lawlins RD, Unit 50

Suite 106 Box 1B

Wyckoff, NJ 07481

Tel: 551-400-0024

tooy@authenticdesigncollection.com

